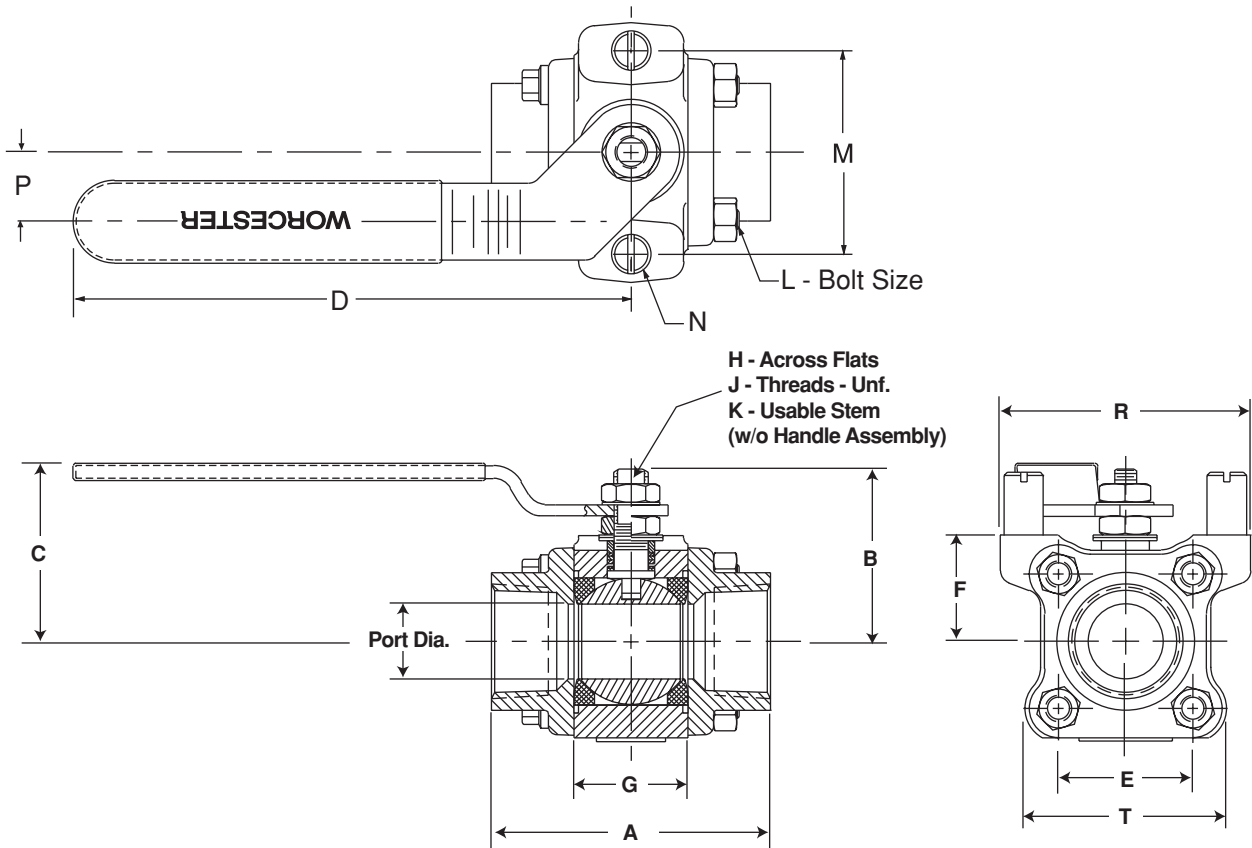


1/4" - 1" 3-Piece Ball Valves
Including Series 4, 44, CL44, H44, PT44, CN44, W44, MP44, AF44, FZ44

1/4" - 3/4" Series 59 Full Port Ball Valves
Including Series W59, PT59



Valve Size	A	B	C	D	E	F	G	H	J	K	L	M	N	P	R	T
Series 44 59																
1/4" —	2.54 (64.5)	1.55 (39.4)	1.76 (44.7)	5.53 (140.5)	1.25 (31.8)	.939 (23.9)	.813 (20.7)	.217 (5.5)	3/8"-24	.28 (7.1)	1/4"-20	1.89 (48.0)	1/4"-20	.68 (17.8)	2.33 (59.2)	1.75 (44.5)
3/8" —	2.54 (64.5)	1.55 (39.4)	1.76 (44.7)	5.53 (140.5)	1.25 (31.8)	.939 (23.9)	.813 (20.7)	.217 (5.5)	3/8"-24	.28 (7.1)	1/4"-20	1.89 (48.0)	1/4"-20	.68 (17.8)	2.33 (59.2)	1.75 (44.5)
1/2" 1/4", 3/8"	2.54 (64.5)	1.55 (39.4)	1.76 (44.7)	5.53 (140.5)	1.25 (31.8)	.939 (23.9)	.813 (20.7)	.217 (5.5)	3/8"-24	.28 (7.1)	1/4"-20	1.89 (48.0)	1/4"-20	.68 (17.8)	2.33 (59.2)	1.75 (44.5)
3/4" 1/2"	2.76 (70.1)	1.64 (41.7)	1.86 (47.2)	5.53 (140.5)	1.50 (38.1)	1.033 (26.2)	.969 (24.6)	.217 (5.5)	3/8"-24	.28 (7.1)	1/4"-20	2.13 (54.1)	1/4"-20	.66 (16.8)	2.56 (65.0)	2.00 (50.8)
1" 3/4"	3.66 (93.0)	2.19 (55.6)	2.28 (57.9)	6.53 (165.9)	1.75 (44.4)	1.268 (32.2)	1.25 (31.8)	.296 (7.5)	7/16"-20	.43 (10.9)	5/16"-18	2.50 (63.5)	1/4"-20	.83 (21.1)	3.09 (78.5)	2.38 (60.5)

Dimensions are for layout only. For tolerances, contact Worcester Controls. Metric dimensions are converted from standard English.

Note: 3/4" and 1" valve bolt sizes (L) are 5/16" - 18 and 3/8" - 16 respectively for H44, PT44, MP44, FZ44

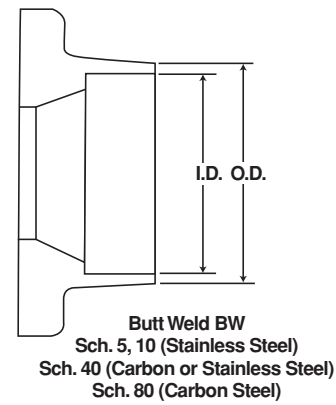
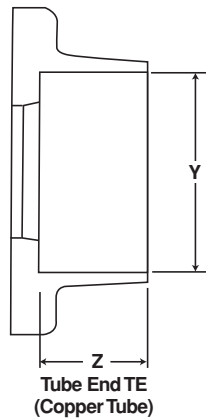
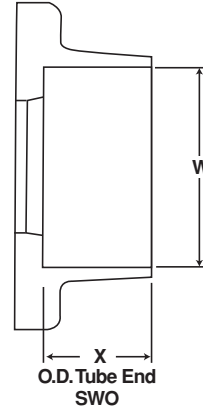
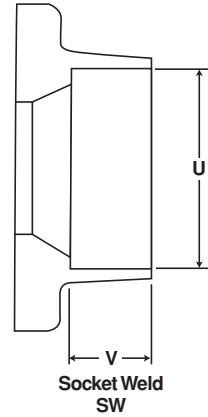
PIPE ENDS

1/4" - 1" 3-Piece Ball Valves

Including Series 4, 44, CL44, H44, PT44, CN44, W44, MP44, AF44, FZ44

1/4" - 3/4" Series 59 Full Port Ball Valves

Including Series W59, PT59



Valve Size	Socket Weld		O.D. Tube End SWO		Tube End TE		ButtWeld				ButtWeld				Port	Approx. Weight	
	Series 44	Series 59	U	V	W	X	Y	Z	Sch. 5		Sch. 10		Sch. 40				Sch. 80
								O.D.	I.D.	O.D.	I.D.	O.D.	I.D.	O.D.	I.D.		Lbs. (Kg.)
1/4"	—	.555 (14.1)	.440 (11.2)	—	—	.378 (9.6)	.370 (9.4)	—	—	.550 (14.0)	.406 (10.3)	.550 (14.0)	.344 (8.7)	—	—	.440 (11.2)	1.10 (.50)
3/8"	—	.690 (17.5)	.440 (11.2)	—	—	.503 (12.8)	.440 (11.2)	—	—	.670 (17.0)	.547 (13.9)	.670 (17.0)	.516 (13.1)	—	—	.440 (11.2)	1.10 (.50)
1/2" 1/4", 3/8"		.855 (21.7)	.440 (11.2)	.510 (13.0)	.440 (11.2)	.628 (15.6)	.560 (14.2)	.840 (21.3)	.710 (18.0)	.840 (21.3)	.672 (17.1)	.840 (21.3)	.625 (15.9)	.840 (21.3)	.550 (14.0)	.440 (11.2)	1.10 (.50)
3/4" 1/2"		1.07 (27.1)	.560 (14.2)	.760 (19.3)	.560 (14.2)	.878 (22.3)	.810 (20.6)	1.05 (26.7)	.920 (23.4)	1.05 (26.7)	.875 (22.2)	1.05 (26.7)	.812 (20.6)	1.05 (26.7)	.753 (19.1)	.560 (14.2)	1.75 (.79)
1" 3/4"		1.33 (33.8)	.720 (18.3)	1.01 (25.7)	.560 (14.2)	1.13 (28.7)	.970 (24.6)	1.31 (33.3)	1.18 (30.1)	1.31 (33.3)	1.09 (27.8)	1.31 (33.3)	1.05 (26.6)	1.31 (33.3)	.957 (24.3)	.810 (20.6)	3.10 (1.41)

Dimensions are for layout only. For tolerances, contact Worcester Controls. Metric dimensions are converted from standard English.