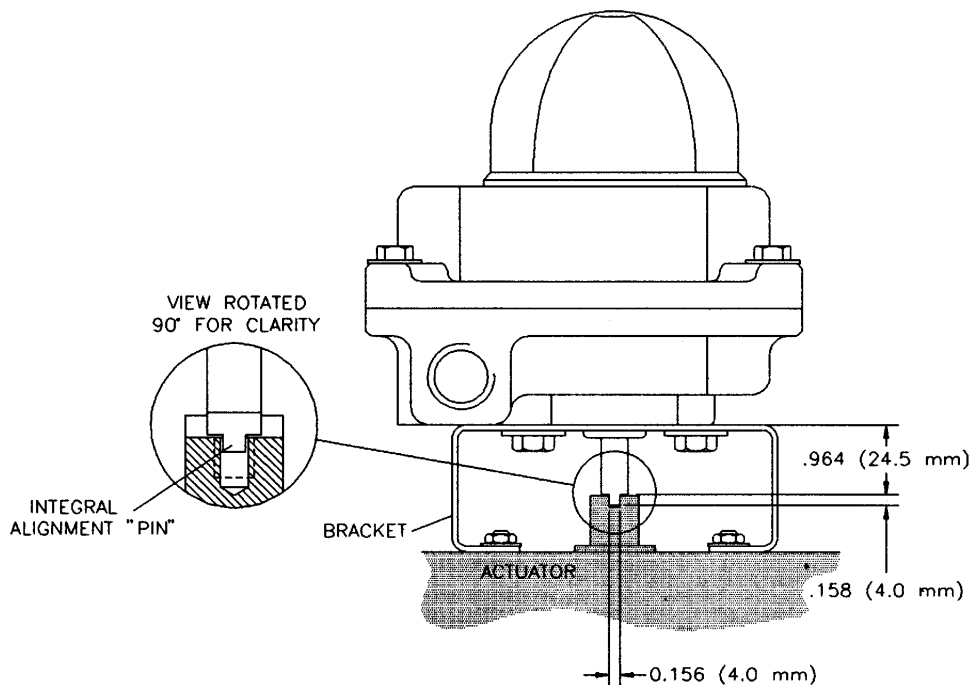


UltraSwitch™ with NAMUR Shaft

UltraSwitch™ Position Indicators are available with a NAMUR shaft option that enables direct attachment to actuator pinions without a coupler. This shaft features a 4 mm wide tang that engages the 4 mm slot in NAMUR actuators (see below). In addition, the shaft features an integral alignment “pin” which fits into the 6 mm tapped hole in the actuator pinion. This pin permits accurate alignment between UltraSwitch™ and actuator.

The UltraSwitch™ NAMUR shaft option conforms to NAMUR standards for length. Automax offers standardized stainless steel NAMUR mounting kits that will adapt our position indicators directly to actuators conforming to NAMUR standards for pinion height. This arrangement is one of the most cost effective, reliable and accurate mounting systems available.



How to Order:

Referring to the table of contents page, simply specify a “N” for NAMUR shaft. To order a replacement shaft assembly, consult factory.