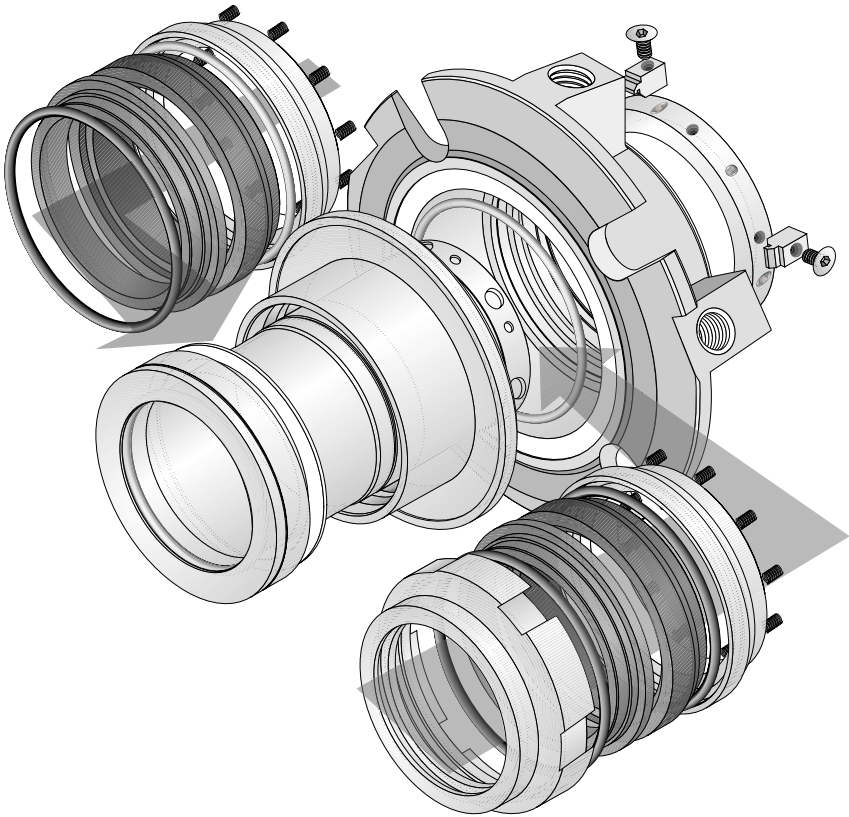


ISC

**ISC2PP
Dual Pusher Seal**

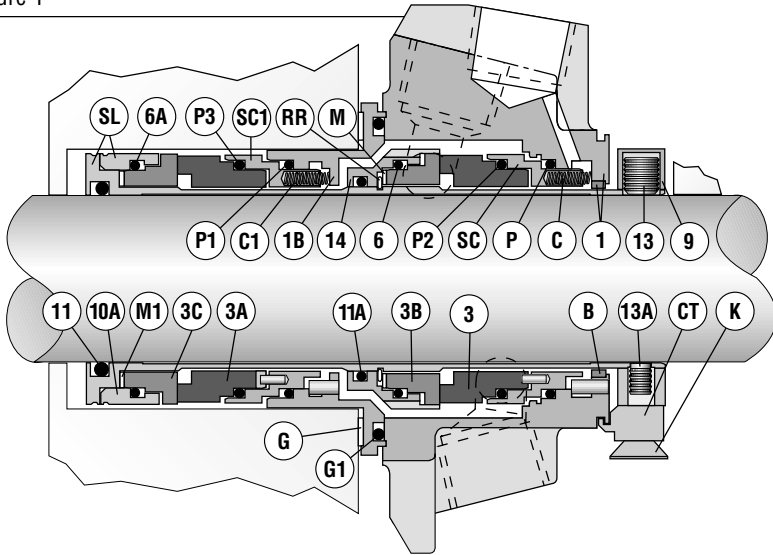


Repair Instructions

These instructions are written for trained, experienced technicians familiar with the basic principles and tools involved in the installation, care and service of mechanical seals and seal support systems. A complete reading of these instructions by personnel in contact with the equipment is essential to safety. Incorrect installation, operation or maintenance can result in personal injury or death to personnel and damage to the equipment.

1 Nomenclature

Figure 1



- Notes:**
- Inboard stator (3A) is interchangeable with outboard stator (3).
 - Inboard mating ring (3C) is interchangeable with outboard mating ring (3B).
 - Inboard stator carrier (SC1) is interchangeable with outboard stator carrier (SC).
 - Primary seal O-rings (P, P1, P2, P3, 6, 6A) are all the same size and cross section.

Table 1

3 Outboard Stator	1 Gland Assembly
3A Inboard Stator	B Carbon Bushing
3B Outboard Mating Ring	1B Inner Gland
3C Inboard Mating Ring	14 Rotor Carrier
C Outboard Springs	RR Retaining Ring
C1 Inboard Springs	CT Centering Tab
SC Outboard Stator Carrier	K Centering Tab Cap Screw
SC1 Inboard Stator Carrier	SL Sleeve Assembly
P Outboard Dynamic O-ring	10A Drive Ring
P1 Inboard Dynamic O-ring	M Outboard Vibration Dampner
P2 Outboard Stator O-ring	M1 Inboard Vibration Dampner
P3 Inboard Stator O-ring	9 Sleeve Collar
6 Outboard Mating Ring O-ring	13 Cup Point Set Screw
6A Inboard Mating Ring O-ring	13A Quarter Dog Set Screw
G Gasket	11 Shaft O-ring
G1 Inner Gland O-ring	11A Rotor Carrier O-ring

2 Disassembly

When disassembling seal, inspect for conditions which may have caused the need for the seal to be removed from service. If seal was removed due to premature failure, determine what conditions caused that failure and correct any problems prior to returning the repaired seal to service. For assistance with seal failure analysis, please contact your Flowserve representative.

Seal Parts that are always replaced

- Inboard and outboard stators (3) and (3A)
- Inboard and outboard mating rings (3B) and (3C)
- Springs (C) and (C1)
- Inboard and outboard stator carriers (SC) and (SC1)
- All O-rings (P), (P1), (P2), (P3), (6), (6A), (G1), (11), (11A)
- Gland gasket (G)
- Vibration dampeners (M) and (M1)
- Retaining ring (RR)
- Centering tabs (CT) and cap screws (K)
- Cup point and quarter dog set screws (13) and (13A)

Reconditionable Seal Parts

- Gland assembly (1)
- Sleeve assembly (SL)
- Inner gland (1B)
- Rotor carrier (14)
- Sleeve collar (9)

3 Inspection and Reconditioning

3.1 There are certain critical areas of each part where special attention should be paid to the condition. If any of the areas listed in 3.2, 3.3 or 3.4 show signs of wear, corrosion, or other defects that cannot be removed without affecting the dimensional size of the surfaces by more than 0.001 to 0.002", then the respective part should be replaced. If grit blasting is performed, it may be necessary to polish the O-ring surfaces to achieve the required surface finish (see 3.2A and 3.3A for the required surface finish). If any parts require machining to correct damage, please contact your Flowserve representative for dimensional requirements, or for any other questions regarding repair.

3.2 Gland Assembly (1) (Figure 2)

A Dynamic O-ring surface - Inspect for wear, fretting, nicks, scratches, or corrosion.

Required surface finish: 32 RMS

B Gasket surface - Remove the old gasket and clean the gasket surface. Inspect for nicks, scratches, or corrosion.

C Pipe taps and other threaded holes - Inspect for damaged threads or corrosion. Taps must be clean and free of debris and corrosion. Re-tap as necessary.

D Bushing - Inspect for wear, breakage, or loosened bond with gland. Replace using Loctite®¹ 7471 Primer T and Loctite RC™/640 or equivalent to adhere the bushing if any of these conditions exist. A ten minute cure at 400°F (204°C) is required to achieve full bond strength.

If worn or corroded, contact your Flowserve representative.

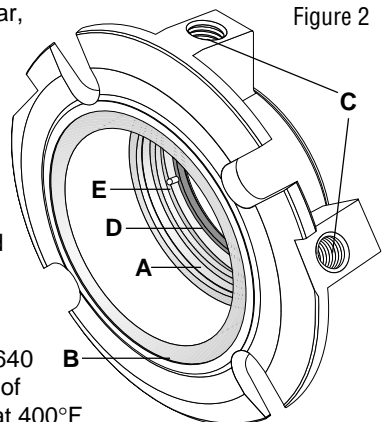


Figure 2

3.3 Sleeve Assembly (SL) (Figure 3)

- A O-ring surfaces** - Inspect for wear, nicks, scratches, or corrosion. *Required surface finish: 63 RMS.*
- B Drive Ring (10A)** - Inspect for wear or corrosion, especially at drive flat surfaces on ID of drive ring.
- C Drive flats** for rotor carrier - Inspect for wear, rounding of edges of flats, or corrosion.
- D Drive end roundness**
No greater than 0.001" TIR

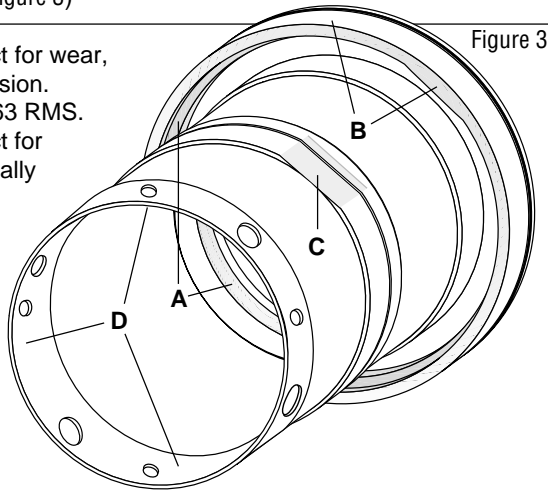


Figure 3

3.4 Inner Gland (1B) (Figure 4)

- A Dynamic O-ring surface** - Inspect for wear, fretting, nicks, scratches, or corrosion. *Required surface finish: 32 RMS*
- B Gland O-ring surface** - Inspect for wear, nicks, scratches, or corrosion. *Required surface finish: 63 RMS.*
- C Gasket surface** - Remove old gasket and clean surface. Inspect for nicks, scratches, or corrosion.
- D Anti-rotation pins** - Inspect for wear or corrosion. If worn or corroded, contact your Flowserve representative.

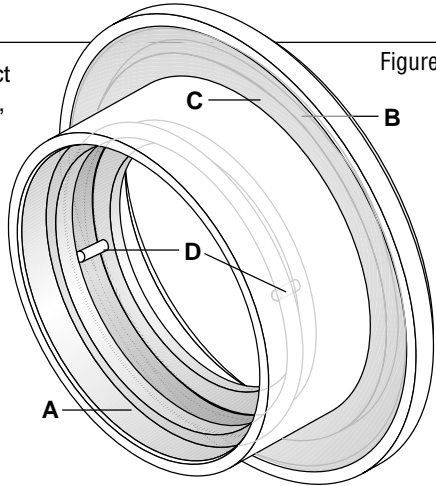


Figure 4

3.5 Rotor Carrier (14) (Figure 5)

- A O-ring surfaces** - Inspect for wear, nicks, scratches, or corrosion. *Required surface finish: 63 RMS.*
- B Pumping vanes** - Inspect for wear, damage, or corrosion.
- C Drive flats** - Inspect for wear or corrosion.

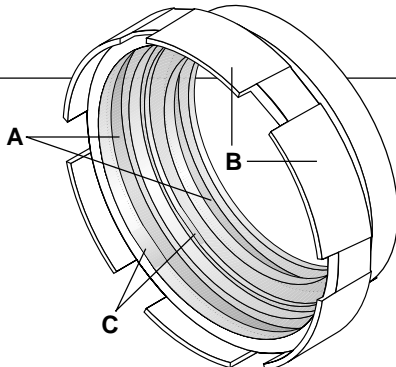


Figure 5

3.6 Sleeve Collar ⑨ (Figure 6)

- A Threaded holes** - Inspect for thread damage and re-tap as necessary.
- B ID bore roundness** - *no greater than 0.002" TIR*
- C Set screws** - Replace cup point and dog point set screws with those included with the repair kit. Make sure the same threaded holes are used with the same type set screws.

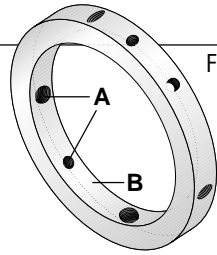


Figure 6

4 Seal Assembly Instructions

4.1 Tools Required

- $\frac{3}{32}$ ", $\frac{1}{8}$ " hex key wrenches (Sizes < 2.625"); $\frac{1}{8}$ ", $\frac{3}{16}$ " hex key wrenches (Sizes 2.625" and larger)
- Silicone grease (included in repair kit)
- Ethyl alcohol or acetone and clean, lint free towel for cleaning seal faces

4.2 As part of the assembly of the seal, there are several blind fits of pins and drive flats. It may be helpful to mark the locations of the pins or drive flats with a felt tip marker, or to align the feature with another visible feature on the seal to assist with assembly. All seal faces should be cleaned with alcohol or acetone prior to placing the faces together at each respective step in the assembly process.

4.3 Arrange O-rings by diametrical size. There are four sizes total: quantity 1 of the largest size O-ring (G1), quantity six of the 2nd largest size O-rings (P (P1) P2 P3 6 and 6A), quantity one of the 2nd smallest size O-ring (11A) and quantity 1 of the smallest size O-ring (11). Prior to installing each O-ring at its respective step, lightly lubricate with silicone grease and stretch slightly.

4.4 Place the sleeve assembly (SL) on a flat surface with the collar end facing up. Install the inboard vibration dampener (M1) into the sleeve end housing. Place the inboard mating ring O-ring (6A) in the sleeve O-ring groove behind the surface with drive flats in the sleeve. (Figure 7)

Figure 7



Figure 8

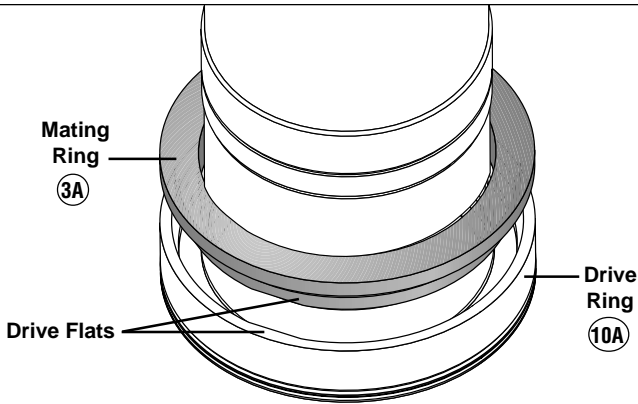
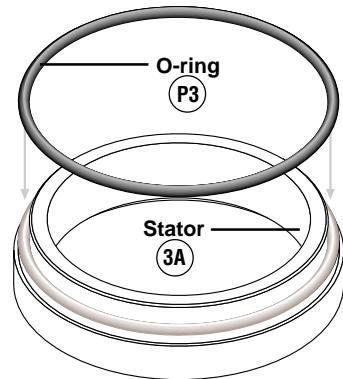


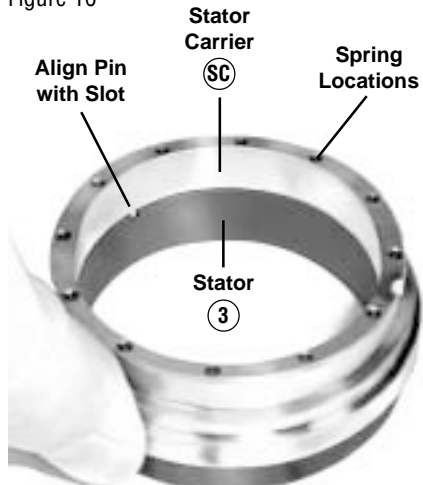
Figure 9



4.5 Align the two flats on the inboard mating ring (3C) with the two flats on the inside of the drive ring (10A) in the sleeve end housing, and press the mating ring into place using finger pressure only. (Figure 8)

4.6 Place the inboard stator O-ring (P3) on the O-ring surface of the inboard stator (3A), which is the smallest outside diameter. Place stator face down on a clean, flat surface. (Figure 9)

Figure 10



4.7 Align the stator drive pins in stator carrier (SC) with the drive slots in the stator and press the stator carrier in place using finger pressure only. (Figure 10)

4.8 Install the springs (C) in holes of stator carrier.

4.9 Place the stator and stator carrier assembly face down onto the sleeve/mating ring assembly. (Figure 11)

4.10 Place the inboard dynamic O-ring (P1) in the dynamic O-ring surface of the inner gland. (Figure 12) Align the inner gland drive pins with the slots in the outside diameter of the stator carrier and press the inner gland onto the stator carrier, using even hand pressure. (Figure 13) **Caution:** do not rotate the inner gland to align the pins while pressing down. This could damage the springs. Once the inner gland is in the proper position, do not rotate it until the seal is fully assembled to ensure that the pins remain aligned.

Figure 11

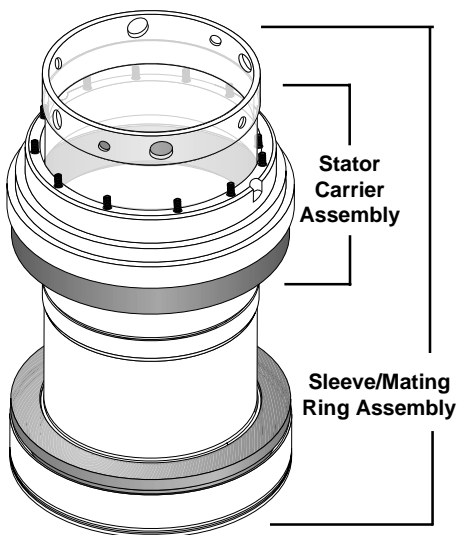


Figure 12

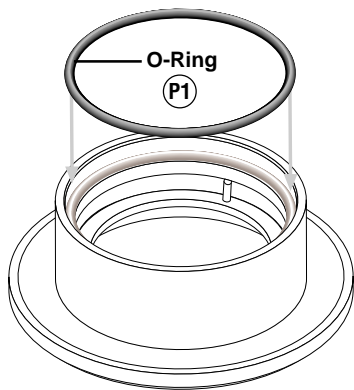
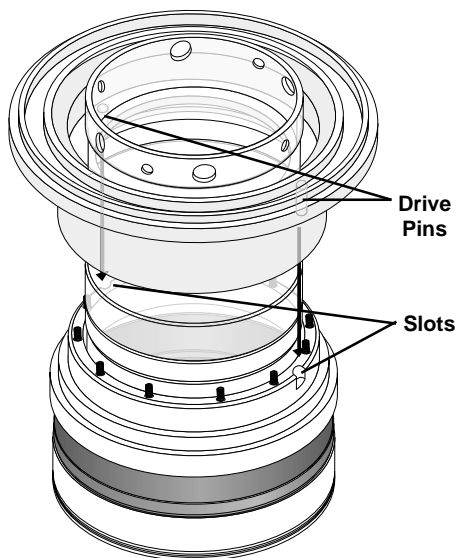


Figure 13



4.11 Place the inner gland O-ring (G1) into the face groove in the inner gland. (Figure 14)

4.12 Place the rotor carrier O-ring (11A) in the smallest diameter groove of the rotor carrier (14) (Figure 15)



Figure 15

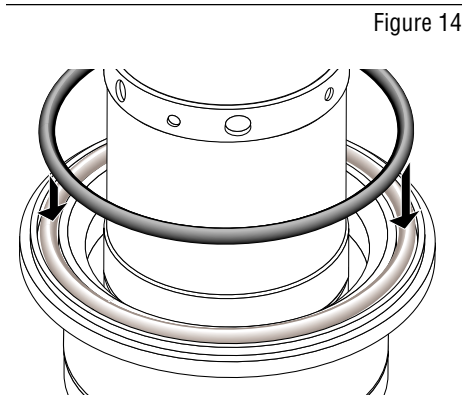


Figure 14

4.13 Align the three drive flats on the rotor carrier with the drive flats on the sleeve and press the rotor carrier on the sleeve with the pumping vanes face up. (Figure 16)

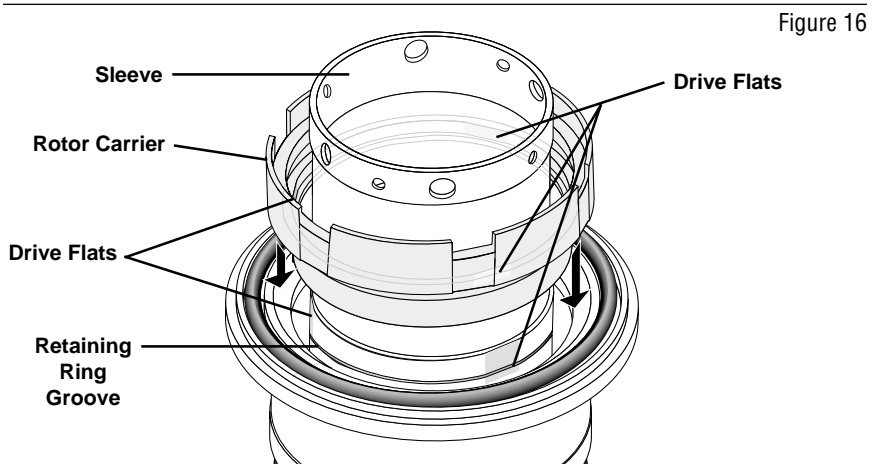


Figure 16

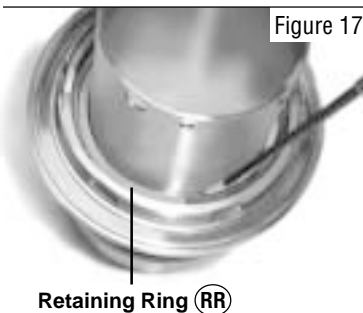


Figure 17

4.14 Insert the retaining ring (RR) into the groove in the sleeve assembly while pressing down on the rotor carrier. Make sure that the retaining ring snaps completely into the groove in the sleeve assembly. (Figure 17)

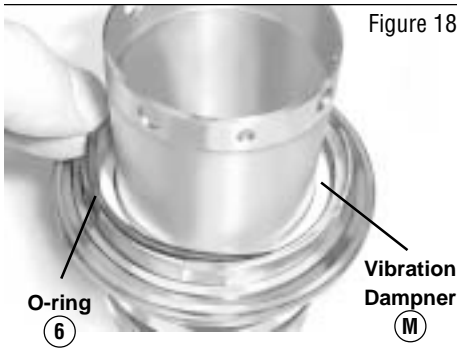


Figure 18

4.15 Insert the outboard vibration dampener (M) into the rotor carrier. Make sure that the vibration dampener is fully seated at the bottom of the rotor carrier. Place the outboard mating ring O-ring (6) in the O-ring groove of the rotor carrier, which is behind the surface with two drive flats. (Figure 18)

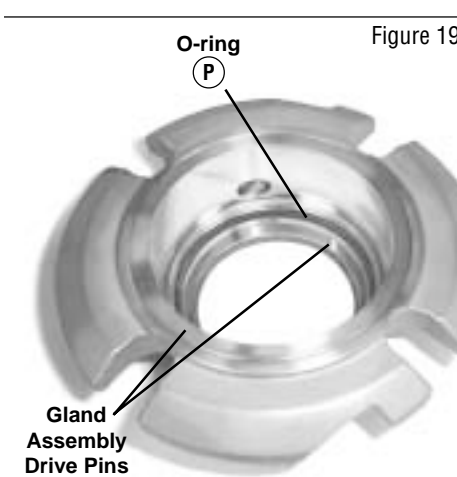


Figure 19

4.16 Repeat steps 4.5 through 4.9 to assemble the outboard mating ring (3B), outboard stator (3), outboard stator O-ring (P2), outboard stator carrier (SC), and springs (C) onto the rotor carrier/sleeve assembly.

4.17 Place the outboard dynamic O-ring (P) in the dynamic O-ring surface of the gland assembly. (Figure 19)

4.18 Align the gland assembly drive pins with the slots in the outside diameter of the stator carrier and press the gland onto the stator carrier, using even hand pressure. (Figure 20)

Caution: do not rotate the gland to align pins while pressing down. This could damage the springs. Once the gland is in the proper position do not rotate it until the seal is fully assembled to ensure that the pins remain engaged.

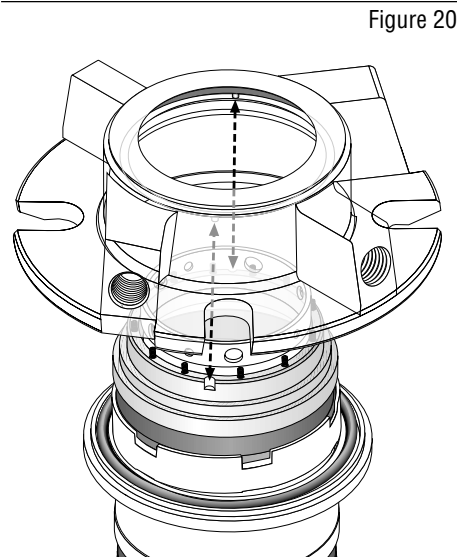
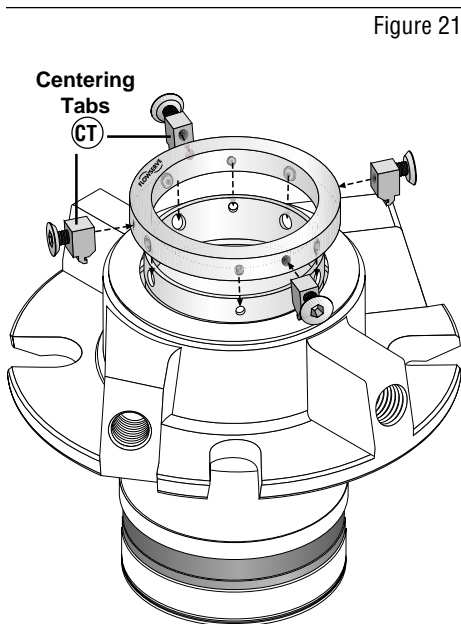


Figure 20

4.19 Place the sleeve collar ⑨ onto the end of the sleeve with the “Flowserve” logo facing up. Align the quarter dog set screws with the smaller holes in the end of the sleeve. (Figure 21) On smaller seal sizes, one of the quarter dog set screws will be offset by 15 degrees. Align this quarter dog set screw with the corresponding offset hole in the end of the sleeve. Do not tighten any set screws at this time. Install the centering tabs ⑩ and flat head cap screws into the collar while engaged with the gland. Be sure to keep the collar aligned and be careful not to rotate the gland.



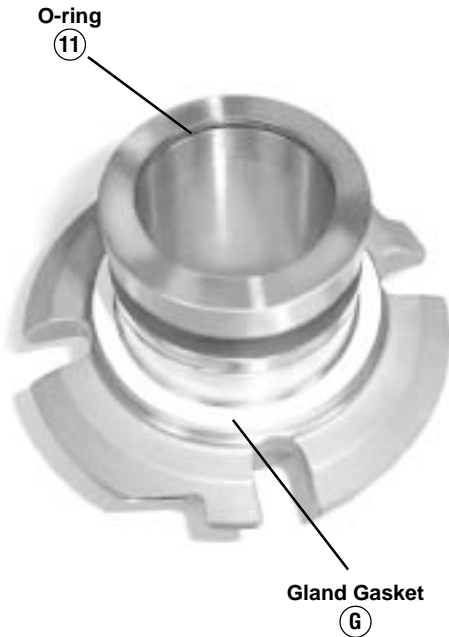
4.20 Using firm hand pressure, press down on the collar to be even with the end of the sleeve assembly. This will in turn press down the gland and inner gland, compressing the springs. While holding the collar even with the end of the sleeve assembly, tighten the quarter dog set screws into the holes in the sleeve until snug.

Be careful not to distort the sleeve by over tightening the quarter dog set screws.

Note: if the collar cannot be pressed down to be even with the end of the sleeve, the gland or inner gland drive pins may not be aligned. If this is the case, do not attempt to rotate the gland or inner gland to align the pins. The gland and/or inner gland should be disassembled and re-aligned prior to proceeding further.



Figure 23



4.21 Install the shaft O-ring (11) into the inside diameter groove of the sleeve assembly. (Figure 23)

4.22 Adhere the gland gasket (G) to the inner gland gasket surface with a spray adhesive such as 3M Super 77^{®2}. (Figure 23)

5 Static Testing

5.1 Flowserve manufacturing typically tests the ISC at 25 psig. A pressure drop of less than one pound at 25 psig is acceptable. To static test the seal, bolt or clamp the seal to a pump seal chamber or other device which will hold the inner gland up against the gland. **WARNING:** Failure to do this will result in the inner gland unseating from the gland under pressure, possibly resulting in damage to the inner gland O-ring and also causing a personal safety risk. Secure the cup point set screws to the stub shaft or equipment shaft to prevent deformation of the centering tabs due to axial loads. Apply pressure at either of the tangential barrier fluid ports, while plugging the opposite port. If the seal does not pass the static pressure test, disassemble the seal and inspect for O-ring damage, as this is the most common cause of static test failure.

6 Installation

6.1 Refer to the ISC Installation Instructions, FIS120, for proper seal installation.

TO REORDER REFER TO
B/M # _____
F.O. _____

The information and specifications presented in these repair instructions are believed to be accurate, but are not guaranteed by Flowserve as to completeness or accuracy. Although Flowserve Corporation can provide general application guidelines, it cannot provide specific information for all possible applications. The purchaser/user must therefore assume the ultimate responsibility for the proper selection, installation, operation and maintenance of Flowserve products. Because Flowserve Corporation is continually improving and upgrading its product design, the specifications, dimensions and information contained herein are subject to change without notice.

Flowserve Corporation

Flow Solutions Division

Primary Worldwide Flow Solutions Division Locations

Licenseses, authorized agents, and affiliated companies located worldwide

United States	Canada	Netherlands	Argentina	Australia	
Kalamazoo, MI Phone 616-381-2650 Fax 616-381-8368	Edmonton, Alberta Phone 780-463-7958 Fax 780-450-1241	Scarborough, Ontario Phone 416-292-2877 Fax 416-292-5190	Roosendaal Phone 31-165-581400 Fax 31-165-552622	Villa Martelli Phone 54-11-4709-6800 Fax 54-11-4709-7072	Marayong NSW Phone 61-2-8822-7100 Fax 61-2-9679-7511
Singapore	Mexico	Brazil	Japan	Germany	
Phone 65-746-4318 Fax 65-747-1963	Tlaxcala Phone 52-2-461-6791 Fax 52-2-461-6847	Sao Paulo Phone 55-11-4066-8600 Fax 55-11-4066-70144	Osaka Phone 81-720-85-5571 Fax 81-720-85-5575	Dortmund Phone 49-231-6964-0 Fax 49-231-6964-248	

www.flowserve.com

Printed in U.S.A.

ISO 9000
Certified

FIS137
ORG 06/00 USA