



WORCESTER CONTROLS

APEX W8000 High-Performance Positioner

Installation Operation Maintenance

FCD WCENIM2078-03

Principles of Operation:

This bulletin is designed to assist in installing, calibrating, troubleshooting and performing maintenance as required for the APEX W8000 Series high-performance positioner.

Product users and maintenance personnel should thoroughly read and strictly follow the instructions contained in this bulletin prior to operating the positioner. Any questions concerning this product should be directed to a Flowserve representative

To avoid possible injury to personnel or damage to valve parts, WARNING and CAUTION notes must be strictly followed. Modifying this product, substituting non-factory parts or using maintenance procedures other than outlined could drastically affect performance and be hazardous to personnel and equipment.

The APEX W8000 high-performance positioner is a two-stage device and is designed for use in control loops where fast response is required. The APEX W8000 positioner is designed to be modular and use the P/P module for 3-15 psi input signal or the NT 3000 Series Transducer Module for 4-20 mA input signal.

The APEX W8000 high-performance positioner is designed as a four-way device, but can easily be converted to a three-way device by plugging one of the output ports.

NOTE: The APEX W8000 high-performance positioner must use the I/P NT 3000 Transducer. The I/P 2000 Transducer is not acceptable for use with the APEX W8000 Series Positioner.

The APEX W8000 positioner can handle supply pressures up to 150 psi; thus, a supply regulator is usually not required. However, a five micron air filter is required for pneumatic positioners and a coalescing filter is required for I/P positioners.

NOTE: The air supply should conform to ISA Standard S7.3 (a dew point at least 18° F / -8° C below ambient temperature, particle size below 5 microns, oil content not to exceed one part per million).

The APEX W8000 Series positioner features an adjustable gain of 400-1100:1. The medium gain setting is standard for smaller actuators, while the high gain setting is used on larger actuators (refer to 'Gain Adjustment Procedure' section for further details.)

OPERATION:

The positioner schematic (Figure 1) shows an APEX W8000 Series positioner connected for double-acting service on a rotary rack-and-pinion actuator. Tension on the feedback spring provides feedback to the positioner, which varies as the stem position changes. The spring-loading force is applied through the feed-back linkage and cam to the positioner's input capsule.

Instrument signal pressure is applied between the diaphragms in the input capsule. Therefore, the input capsule serves as a force-balance member, matching the valve stem position (as measured by tension on the feedback spring) to the instrument signal.



When the opposing forces balance exactly, the system will be in equilibrium and the stem will be in the exact position called for by the instrument signal. If the opposing forces are not in balance, the input capsule will move up or down and, by means of the pilot-valves, will change the output pressures, moving the stem until the tension on the feedback spring exactly opposes the instrument signal pressure

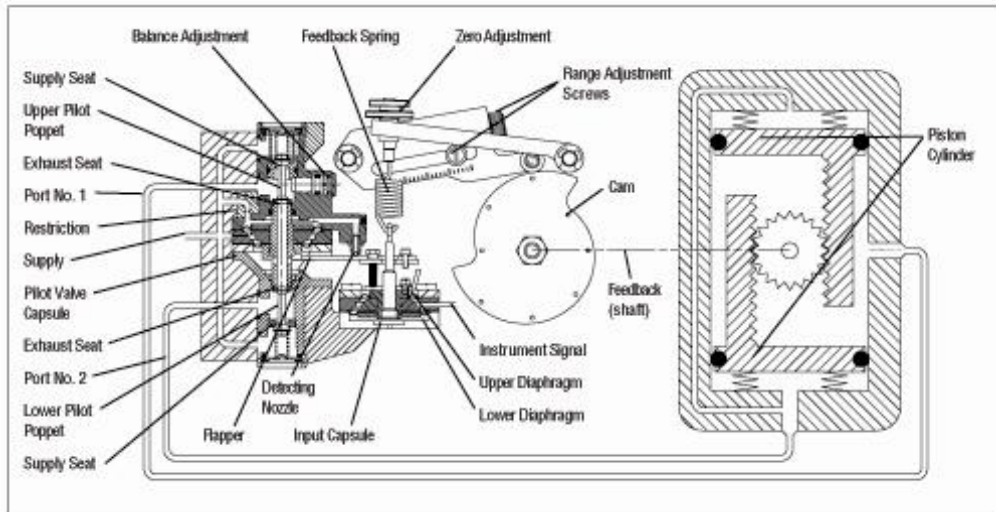


Figure 1: Apex W8000 Positioner Schematic for Air-to-Open

The sequence of operation is as follows: An increase in instrument signal pressure forces the input capsule downward. Displacement of the capsule in turn moves the flapper away from the detecting nozzle. This allows a larger flow rate through the nozzle, decreasing the pressure exerted on the top of the pilot valve capsule.

Supply air biases the pilot-valve in an upward direction. As the capsule moves up, it will close the exhaust seat of the upper pilot poppet and open the supply seat, which applies increased air pressure to the bottom cylinder port. At the same time, the pilot-valve capsule will open the exhaust seat for the lower pilot poppet; thus, decreasing pressure to the top cylinder port.

This difference in pressure will drive the piston outward, rotate the pinion and stretch the feedback spring until the spring tension exactly opposes the force resulting from the instrument signal pressure. At this point, the flapper will be moved toward the detecting nozzle to restore the pressure above the pilot-valve capsule to its equilibrium value. As a force-balanced condition is approached, the pilot-valve capsule will be forced back to a neutral position where the pilots are neither supplying air to, nor exhausting air from, their respective sides of the piston.

A decrease in instrument signal pressure reverses the described actions and cause a proportional inward movement of actuator pistons and a reversal in pinion direction.

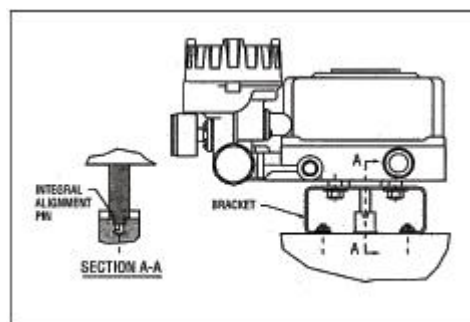


Figure 2: Positioner Mounting with NAMUR shaft



Installation of APEX W8000 Series Positioner on Actuators:

The APEX W8000 can be installed on most sizes of rotary and linear actuators. Actuators can be either double acting or spring return. Cams can be used for direct acting or reverse acting directions. These instructions apply to rotary actuators only. For linear actuator mounting instructions, consult the factory.

NOTE: For retrofitting to an actuator equipped with an Apex positioner, the same bracket and bolting may be used.

NOTE: NAMUR mounting is available with the APEX W8000 positioner. When retrofitting the APEX W8000 positioner to an actuator equipped with another positioner, remove the existing positioner, tubing and associated bolting. See tubing instructions in Connecting APEX W8000 Positioner Ports section.

Mounting Instructions for APEX W8000 with NAMUR Shaft Connection

1. Mount the bracket to the actuator. Finger tighten the bracket bolting.
2. If required, install a coupler on the actuator shaft. Make sure the shaft and coupler are centered. See Figure 2.
3. Verify the orientation of the actuator and coupler flats match the positioner flats on the end of the shaft. Loosen the cam if necessary. (See “Cam Installations” instructions.)
4. Install the positioner onto the bracket. Make sure positioner shaft and coupler are engaged and centered. Finger tighten positioner bolts.
5. **Warning:** *Once the positioner is mounted on the bracket, make certain that the vent on the bottom of the positioner is not covered by the bracket. If it is, remove the positioner from bracket and drill a ½” hole in the bracket to allow venting of the positioner. Blocking the vent can cause pressurization of the housing and cause positioner failure.*
6. Proceed to “Connecting APEX W8000 Positioner Ports.”

Connecting APEX W8000 Positioner Ports:

1. For double acting actuators, connect positioner ports 1 and 2 to the actuator. Port 1 is always connected to the actuator port used to drive the actuator away from its start or fail position (the factory cam setting is full clockwise at minimum input signal).

NOTE: *For single acting, spring return actuators, plug output port*

2. Connect supply air to the port marked “SUPPLY.”
3. Connect air (for pressure inputs) or instrument tubing or wiring (for 4-20 mA inputs). For current inputs, the terminal is marked (+) and (-) inside the I/P module. The I/P is factory calibrated and should not require adjustment. If adjustments are necessary, see “Calibrating I/P Module Zero and Span Settings” section. **Caution:** *Signal air pressure higher than 30 psi may damage the module gauge and instrument signal capsule; a 3-15 psi instrument signal is recommended on the pneumatic module.*
4. Stroke actuator/valve two or three times to align positioner, coupler and actuator. With 50% input (actuator/valve at 45 degrees), tighten all mounting bolts. Stroke actuator/valve again to verify there is no misalignment throughout the stroke.
5. Calibrate valve and adjust cam if necessary. (See “Cam Installation” and “Positioner Calibration” instructions.)

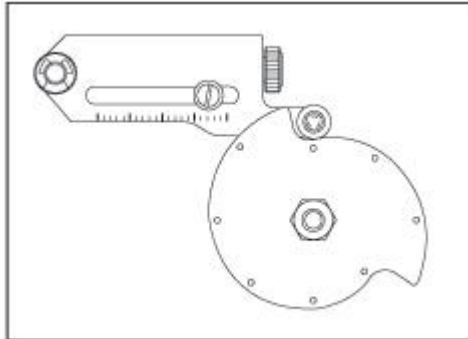


Figure 3: Alignment for Cams

Cam Removal :

Disconnect cam return spring. With a wrench carefully placed on the output shaft (if necessary), loosen and remove the jam nut. Remove pressure from the span arm by pushing it away from the cam. Remove the cam.

Cam Installation:

1. Make sure shaft is properly aligned with coupler or actuator.
2. Push span arm away from shaft to avoid pressure on the cam.
3. Place cam over the shaft with the appropriate characteristic facing up and closest to the span arm roller. "D" represents direct-acting and "R" represents reverse acting.
4. Make sure the round mark on the left hand side of the characteristic curve is lined up with the span arm roller bearing. See Figure 3
5. Tighten jam nut making sure cam does not rotate. Use a flat screwdriver to prevent cam rotation and shaft flats to prevent shaft rotation (if necessary)
6. Connect supply pressure to port marked 'Supply. Stroke actuator/valve two or three times to align position with actuator. With a 50 percent input signal, tighten all mounting bolts. Stroke actuator to verify proper alignment.

Position Calibration:

Introduction

APEX W8000 positioners are calibrated at the factory; however, due to shipping and handling, it may be necessary to check the calibration before operating the valve. The APEX W8000 positioner can be calibrated to a range of 3-15; two-way split range, 3-9, or 9-15; and three-way split ranging, 3-7, 7-11, 11-15 psi using the standard feedback spring.

WARNING: When stroking the actuator during calibration, keep hands, hair and clothing away from moving parts. Failure to do so may cause serious personal injury.

Note: Positioners and I/Ps are calibrated at the factory. Use mechanical adjustments in positioner for calibration. Zero and span on the I/P should not be used to calibrate the valve.

For calibration, refer to Figure 4 and proceed as follows:



1. For 3-15 or 3-9 psi range, loosen by hand the zero adjustment locking knob and adjust the zero adjustment knob until the valve begins to stroke with more than 3 psi signal (for 9-15 psi range adjust to 9 psi).
2. Loosen the span adjustment locking screw no more than 1/8 turn.
3. With a phillips screwdriver adjust the span adjustment so valve is at full stroke with more than 15 psi for 3-15 or 9-15 psi range (adjust to 9 psi for 3-9 psi range).
4. Return to 3 psi (or 9 psi for 9-15 psi range) and check the zero. Repeat steps 1-4 if necessary
5. Tighten the zero adjustment lock knob and span adjustment locking screw.
6. Use the same procedure for three-way split range.
7. Connect Cam return spring. See Figure 4.

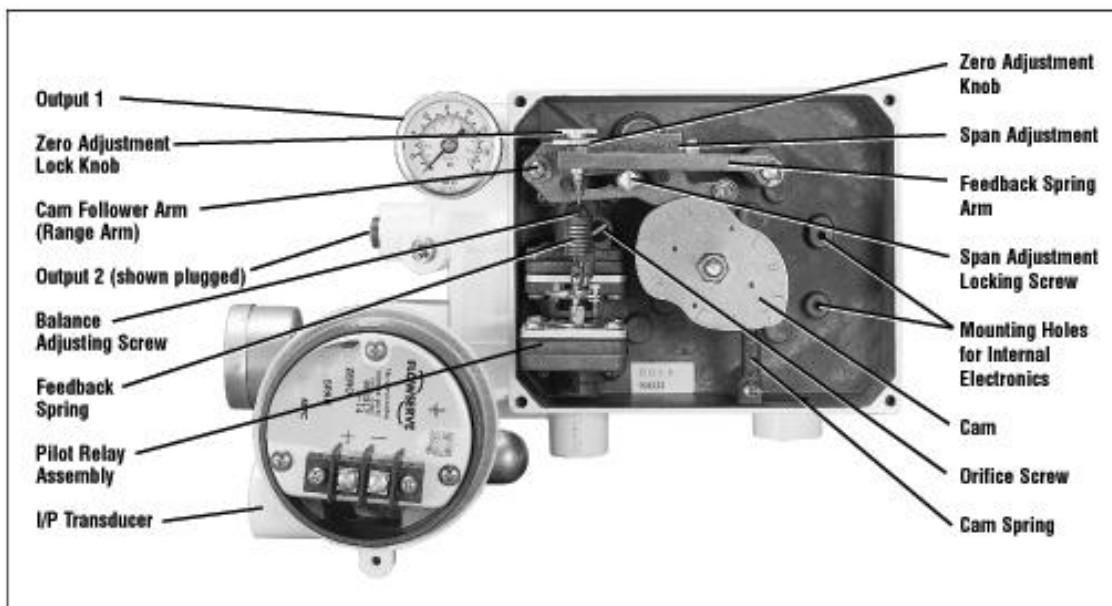


Figure 4: Positioner Adjustments

Positioner Balance Adjustment

CAUTION: Balance pressure is 75 percent of the supply pressure and is the average pressure of output ports 1 and 2. Balance is preset at factory. However, if this adjustment becomes necessary, carefully make this adjustment slowly, allowing the positioner to stabilize. Check after a short while to make sure balance pressure is correct.

Balance adjustment is set at the factory and should not need adjustment. Balance adjustment (output pressure level) permits the equilibrium pressure in both sides of the actuator piston to be raised or lowered. The average actuator pressure level of output 1 or 2 is approximately 75 percent of supply pressure. For single-acting actuators, the balance pressure should be left at the factory setting. If it is necessary to adjust the output pressure level, follow the procedure outlined:



1. If output pressure level is low, before adjusting, check for leaks in tubing connections between positioner and actuator and check supply pressure.
2. Make certain there is no process force or pressure in the valve (The valve should be removed or isolated from the process.)
3. On positioners without gauges, connect gauges to 'output 1' and 'output 2' lines
4. Remove rubber cap over balance adjustment screw. (See Figure 4.)
5. Apply full actuator operating pressure to positioner supply port.
6. Set input signal to midscale (9 psi for 3-15 psi span). Output pressure level cannot be adjusted with actuator against valve seat or travel stops. Allow actuator pressure to stabilize.
7. Observe the pressure gauges. If reading is not correct, turn balance adjustment screw about 1/8 turn at a time and wait about 20-30 seconds for pressure to stabilize (counterclockwise to increase pressure). Continue until output pressure level of the higher pressure gauge is approximately 80 percent of supply.
8. Replace rubber cap over balance adjustment screw.

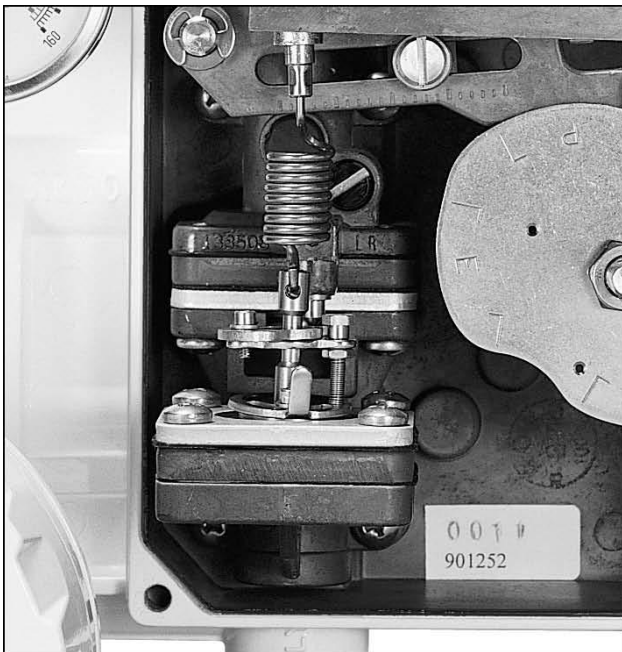


Figure 5: Close-up of Gain Adjustment

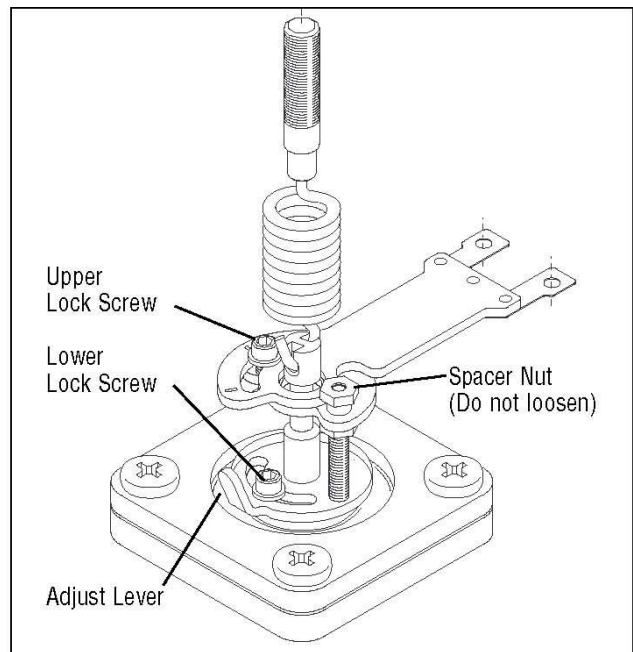


Figure 6: Gain Adjustment

Gain Adjustment Procedure

The unique gain adjustment on the APEX W8000 positioner provides a means to increase or decrease the responsiveness of the valve / actuator / positioner system. Increasing gain makes the valve more responsive and faster, while decreasing gain makes the system less sensitive and slower to respond (with increased damping)



1. Before adjusting the gain, place controller on manual and isolate the valve from the process.
2. Turn off supply air to control valve actuator.
3. Using a 5/64-inch allen wrench, *loosen both upper and lower lock screws* about one half turn. Do not loosen the spacer nut. (See Figure 6.)
4. By grasping adjust lever, carefully rotate gain adjust assembly to desired position. make sure both upper and lower gain adjust plates rotate together. When they are rotated to the new position, the connecting spring should be perpendicular to the plates.
Caution: To avoid damaging gain adjust connecting spring mechanism, make sure both upper and lower gain adjust plates rotate together. When they are rotated to the new position, the connecting spring should be perpendicular to the plates.
5. When the gain is set to the desired position, firmly tighten both lock screws.
6. Turn on the supply pressure. Check actuator responsiveness by providing a step signal to positioner. When gain is set as desired, check valve zero and span calibration and re-calibrate if needed.
7. Return the valve to service.

Calibrating I/P Module Zero and Span Settings:

NOTE: Although calibration can be accomplished using the output pressure gauge on the I/P module, its accuracy is ± 3 percent. The standard gauge should be removed only for calibration and more accurate calibration equipment of ± 0.1 percent of span should be used. The pressure gauge port is 1/8-inch NPT. Calibration manifolds are available from the factory (Part No. 97370).

1. Connect I/P module to a supply pressure between 30 to 150 psi.
2. Remove I/P module housing cover. (See Figure 7.)

WARNING: Be certain power to I/P module is disconnected before removing housing cover in explosive atmospheres; otherwise personal injury may occur.

3. Before adjusting the zero and span, be certain the MPC feature is disabled. Refer to Step 7 in the 'Adjusting the Minimum Pressure Cutoff Feature' section
4. Connect a current source to the terminal block on circuit board.

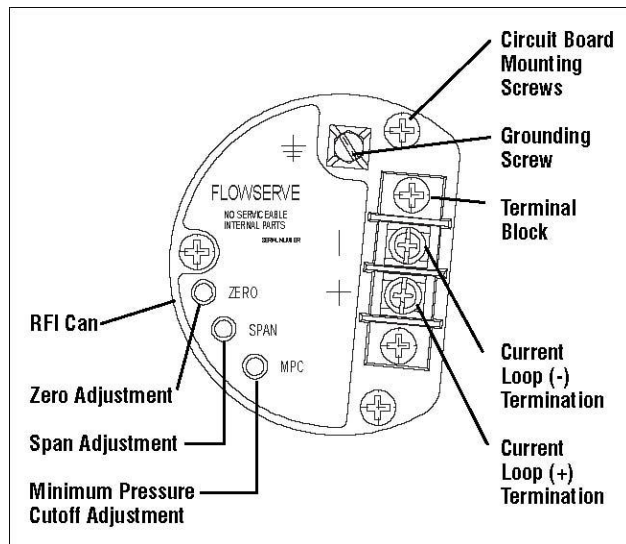


Figure 7: KM82 Circuit Board Module
(housing cover removed)

NOTE: The zero and span adjustments are multi-turn potentiometers (pots) that have no stops on the ends of their travel; however, they have a slip clutch to prevent damage from over-adjustment. The pots also make a clicking noise when they have reached adjustment limits.

5. Apply a 4.0 mA signal to the input. Locate and adjust zero trim pot to achieve a 3.0 psi output. The output will increase with clockwise rotation of the zero trim pot. If calibrating an I/P module with a 10-50 mA input signal, apply a 10.0 mA signal to input.
6. Increase input signal to 20.0 mA (50 mA for 10-50 mA units). Locate and adjust span trim pot to achieve a 15.0 psi output. The output will increase with clockwise rotation of the span.
7. Recheck zero setting by repeating Step 5. The span adjustment may affect zero setting.
8. Repeat Steps 5, 6 and 7 until proper adjustments are obtained.

Adjusting the Minimum Pressure Cutoff Feature:

The APEX W8000 positioner with I/P Transducer has a “Minimum Pressure Cutoff” (MPC) feature, which allows the user to set the positioner. When the input signal falls below a user-adjustable current, the pressure output falls rapidly to approximately 1.7 psi, causing the valve to move to the failure position. This feature is generally used when the service requires a tight shut off or to prevent throttling near the valve seat. To adjust this feature, refer to Figure 7 and perform the following:

NOTE: The following procedure applies only when the minimum pressure cutoff feature will be used.

NOTE: The zero and span settings of both the positioner and I/P transducer should be verified as accurate before the minimum pressure cutoff feature is enabled and adjusted.

1. Connect the I/P module to a 30 to 150 psi air supply pressure.
2. Remove the I/P module housing cover.

WARNING: Be certain power to the I/P module is disconnected before removing the housing cover in explosive atmospheres; otherwise personal injury may occur.



3. Connect an adjustable current source to the terminal block on the circuit board. Apply the desired input signal to the positioner at which the output pressure is to fall to approximately 1.7 psi. This signal can range from factory setting of 3.7 to 8 mA.
4. Turn the minimum pressure cutoff pot clockwise until the output pressure drops off Turn the minimum pressure cutoff.
5. Fine-tune the pressure drop-off point by increasing the input signal and then decreasing it through the desired shut-off signal. Observe the signal value at which the pressure drops off. If the pressure drops off at a lower mA signal than desired, turn the MPC pot counterclockwise. If the pressure drops off at a higher signal than desired, turn the MPC pot clockwise.
6. Repeat Step 5 until the pressure drops off at the desired input sign.
7. To disable the MPC feature turn the minimum pressure cutoff pot (marked "MPC") 20 turns counterclockwise or until it makes a clicking noise.

Positioner Maintenance:

NOTE: Refer to NT3000 IOM (VLAIM0047-00) for I/P module maintenance instructions.

For proper maintenance, proceed as follows:

- 1 Maintain a clean air supply, free of dust, oil and water. A coalescing air filter for I/P is required to ensure a clean air supply. Check and maintain filter regularly.
- 2 Make sure all arms and levers move freely.
- 3 Check for loose parts.
- 4 Be sure there are no leaks in the air supply tubing fittings or connections.
- 5 Refer to the troubleshooting chart on page 9 in case of problems.\

Pilot Relay Disassembly and Reassembly:

The pilot relay is available as a complete unit and can be easily replaced (See Steps 2 and 18.) Before attempting to correct any problem with the pilot relay assembly, obtain a positioner repair kit that contains the soft goods most commonly required.

NOTE: Numbers in parentheses correspond to the numbers in Figure 8.

- 1 Remove the feedback spring (47) and rotate the span and zero arms (40, 46) out of the way.
- 2 Remove four screws (33) holding the pilot relay to positioner base (1). Remove relay from positioner.
- 3 Remove the nut (25) connecting the flapper assembly (21) to the signal capsule.
- 4 Remove four screws (32) holding the two halves of the pilot relay assembly together. Carefully pull the relay assembly halves apart, making sure the flapper assembly (21) slides off the flapper adjustment screw (19) without damaging the signal diaphragm assembly (16). Pull the relay diaphragm assembly (13) out of the other half of the relay body (9).
- 5 With the relay assembly in two sections, remove two screws (22) holding flapper assembly (21) to the relay diaphragm assembly (13). Remove the flapper.



- 6 Remove diaphragm retaining plate (15) from relay diaphragm assembly (13) and relay plate (14)
- 7 Replace relay diaphragm assembly (13) with one from the positioner repair kit. Place the relay plate (14) between the new diaphragms making sure the 1/16-inch diameter holes between the relay plate (14) and the diaphragm line up. Position diaphragm retaining plate (15) on relay diaphragm assembly with rounded inner diameter edge against diaphragm.
- 8 Attach flapper assembly (21) onto relay diaphragm assembly (13) using two screws (22) with a locking adhesive on the threads. The flapper assembly should extend away from the 1/16-inch diameter hole through the relay plate. Make sure lettering on flapper assembly is facing away from diaphragm.
- 9 With relay halves still apart, remove relay tube O-rings (8) from upper and lower bodies (9, 7) and replace them with new O-rings (found in the positioner O-ring repair kit).
- 10 Remove rubber cap (35) and balance adjust screw cap (36) from upper relay body (9). Remove O-ring (38) from balance adjust screw and install new O-ring.
- 11 To remove and clean poppets (28), remove the retaining rings (31), poppet covers (27), O-rings (30), and poppet springs (29) found at the end of each housing. After removing poppets, inspect them for dirt buildup or damage to seating surfaces.
- 12 The upper relay body (9) has a movable seat ring (34) which is adjusted with the balance adjust screw (36). This seat is removed by pushing it out with a soft instrument such as a wooden dowel. Be careful not to damage seating surface. Remove O-ring (37) from the seat ring (34).
- 13 Lubricate and replace the O-ring (37) on movable seat ring (34). Carefully reinstall the seat ring (34) into upper relay body (9), being careful not to damage seating surface or O-rings.
- 14 Reinstall poppets (28), poppet springs (29), Seat Spring (39), O-rings (30), and poppet covers (27) before installing retaining rings (31).
- 15 If signal diaphragm assembly (16) is damaged, proceed as follows: With relay halves still apart, remove four screws (32) holding signal diaphragm assembly (16) to the pilot relay assembly. Remove locking screw (23), washer (24), adjustable gain lower plate (26), and diaphragm plate. Remove signal diaphragm assembly (15) and remove relay plate (14) from between the diaphragms. Place relay plate (14) between the diaphragms on the new assembly *taking care to align the 1/16-inch diameter holes between the diaphragms and the relay plate (14)*. Replace diaphragm plate (15), adjustable gain lower plate (26), washer (24), and locking screw, but do not tighten. Replace four screws (32) that hold signal diaphragm assembly together.
- 16 Pack O-ring grease into the O-ring groove and lightly lubricate the outside of the relay tube on diaphragm relay assembly (13). Make sure small holes on the side of the tube do not get plugged with grease. Insert the relay diaphragm assembly (13) as assembled in steps 7 and 8 into the lower relay half. Carefully align the flapper (21) over the adjustable gain screw (19) and replace and tighten the nut (25).
- 17 Fasten the two halves of the relay together using four long screws (32). *Make sure the 1/16-inch diameter holes in the relay diaphragm assembly (13) and the upper relay body (9) line up.* Set gain to desired setting and tighten locking screws (23, 25). See gain procedure.
- 18 *Replace screen (110) and O-rings (8,12) found on the back of the pilot relay before reinstalling the pilot relay on the base of the positioner with four screws (33).* Clean out any debris lodged in screen or replace with a new one.
- 19 Replace span arm and zero arm (40, 46) and feedback spring (47).



Troubleshooting APEX W8000 Positioners

Failure	Probable Cause	Corrective Action
Valve won't stroke, no excessive air is exhausting from positioner	<ol style="list-style-type: none"> 1. Tubing to wrong ports 2. Cam action reversed 3. Feedback lever arm is stuck 4. low air supply 5. Relay tube stuck 6. Balance adjust screw not adjusted correctly 7. I/P module filter plugged 8. I/P module failure 9. I/P mounting bolts loose 10. I/P pressure signal blocked 	<ol style="list-style-type: none"> 1. Re-tube to correct ports (see "installation section"). 2. Refer to "installation" section and reverse cam 3. Work with lever arm until it turns freely 4. Increase air supply to recommended value 5. Disassemble relay assembly and work relay tube free. Lightly lubricate if necessary 6. Adjust balance pressure with adjusting screw 7. Remove I/P module and replace filter 8. Replace I/P module 9. Tighten mounting bolts 10. Remove I/P module and clear passageway; replace O-ring if necessary
Valve won't stroke, excessive air exhausting from positioner	<ol style="list-style-type: none"> 1. A diaphragm in relay assembly burst 2. One of the poppets is stuck 3. Internal control valve problem 4. Damaged relay O-rings on relay tube 5. Blocked passageways in relay 	<ol style="list-style-type: none"> 1. Replace relay assembly or replace diaphragms 2. Remove relay assembly/poppet cover; free stuck poppet 3. Refer to instructions or check for actuator tubing leaks 4. Disassemble relay and replace O-rings 5. Disassemble relay and check small holes under diaphragms; clean if clogged
Actuator goes to full signal position regardless of signal	<ol style="list-style-type: none"> 1. Broken feedback spring 2. Linkage is disconnected or stuck 3. Orifice is clogged by water, oil or dust in air supply 4. Bent flapper, damaged nozzle 5. I/P module failure 6. Clogged orifice screen 	<ol style="list-style-type: none"> 1. Replace feedback spring 2. Check and tighten bolts/nuts in linkage. Make sure linkage does not hang up; grease ping that rides in follower arm slot 3. Remove orifice screw and carefully clean orifice hole 4. Straighten flapper or replace damaged parts 5. Replace I/P module 6. Remove relay and clean or replace orifice screen
Calibration	<ol style="list-style-type: none"> 1. Loose positioner mounting 2. Loose linkage 3. Loose zero adjustment locking knobs 4. Wear of arms or pins 5. I/P mounting bolts loose 6. Stroke has change in valve 	<ol style="list-style-type: none"> 1. Remove cover and check three screws holding positioner to bracket; check two bolts holding bracket to yoke 2. Tighten nuts and bolts on linkage and stem clamp 3. Tighten zero adjustment locking knob; re-calibrate if necessary 4. Replace worm arms, pins; grease appropriately 5. Tighten I/P mounting bolts 6. Refer to valve maintenance instructions
Excessive air consumption (other than normal exhaust)	<ol style="list-style-type: none"> 1. Air leakage from manifold rings between relay and base 2. Air leakage from tubing 3. Leaky cylinder piston O-rings 4. Air leakage from relay 	<ol style="list-style-type: none"> 1. Tighten screws holding relay assembly together and/or replace O-rings 2. Tighten or replace tubing fittings 3. Replace O-rings in cylinder 4. Disassemble relay and check and replace dynamic O-rings next to tube if necessary
Actuator strokes very slowly in one direction only	<ol style="list-style-type: none"> 1. Connection between signal capsule and flapper misadjusted 2. Tubing to cylinder is restricted 3. Balance pressure low 	<ol style="list-style-type: none"> 1. Adjust gain according to Figure 6 or until actuator strokes approximately equal speed in both directions. Verify alignment of upper and lower gain plates. Make sure spacer nut is tightened. 2. Inspect tubing/fittings for restriction and replace if necessary 3. Adjust balance pressure according to page 5
Erratic operation	<ol style="list-style-type: none"> 1. Dirt buildup on relay poppets or seats 2. Dirt buildup on relay tube 3. Clogged ports / passageways in relay 4. Faulty I/P module 5. Clogged orifice screw 6. Mechanical binding in linkage or internal galling in valve 7. Clogged orifice screen 	<ol style="list-style-type: none"> 1. Disassemble; clean poppets and seats; add air filter or change filter 2. Disassemble; clean relay and lightly lubricate; replace O-rings if necessary; add air filter or change filter 3. Disassemble, inspect and clean all ports and passageways 4. Replace the I/P module 5. Remove orifice screw and carefully clean orifice 6. Tighten linkage or refer to valve maintenance instructions 7. Remove relay and clean or replace orifice screen
Excessive overshoot	<ol style="list-style-type: none"> 1. Restricted air flow to positioner 2. Balance pressure not set correctly 3. Gain is set too high 	<ol style="list-style-type: none"> 1. Adjust air supply as needed 2. Adjust balance pressure according to page 5 3. Lower gain mechanism until overshoot is minimized

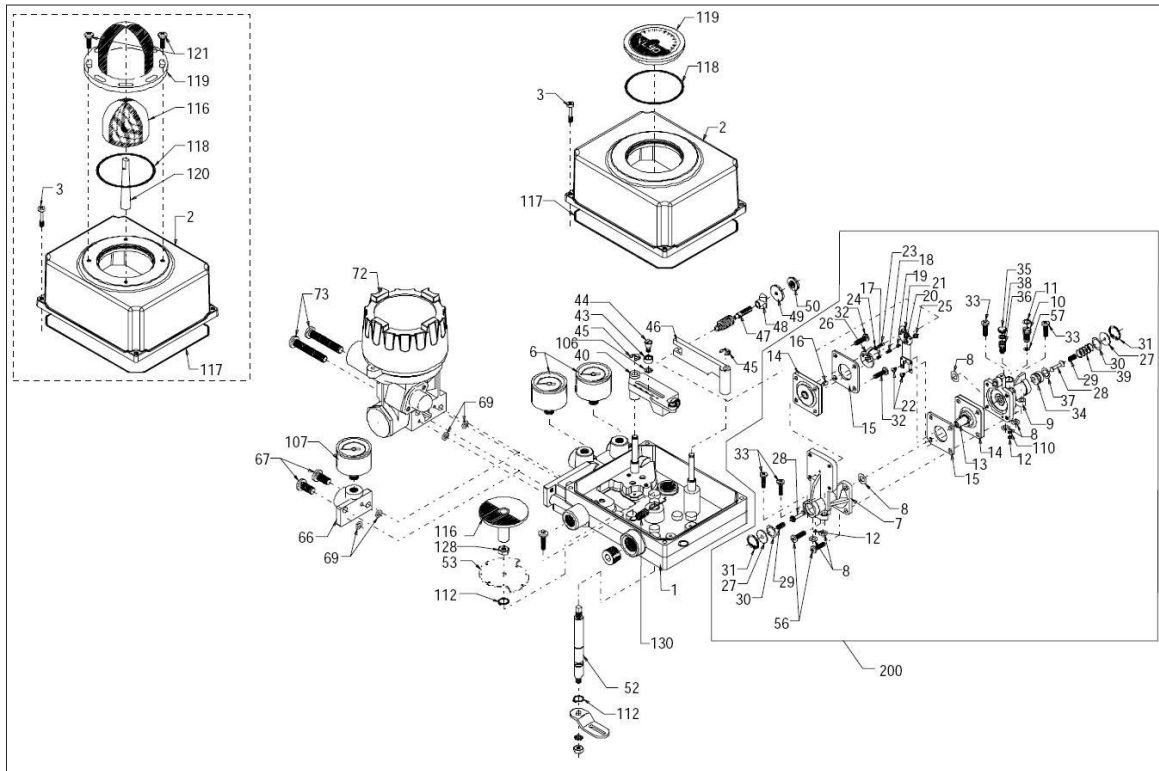


Figure 8: APEX W8000 Exploded View

- | | | |
|---|--------------------------------|------------------------|
| 1 Base assembly | 26 Adjustable gain lower plate | 52 Cam shaft |
| 2 Cover | 27 Poppet cover | 53 Cam |
| 3 Screw | 28 Poppet | 55 Nut |
| 6 Pressure gage 0-160 psi | 29 Poppet spring | 56 Screw |
| 7 Bottom relay assembly | 30 O-ring | 57 O-ring |
| 8 O-ring | 31 Retaining ring | 66 Pneumatic adapter |
| 9 Upper relay assembly | 32 Screw | 67 Screw |
| 10 Orifice screw | 33 Screw | 69 O-ring |
| 11 O-ring | 34 Adjustable seat | 72 I/P module |
| 12 O-ring | 35 Rubber cap | 73 Screws |
| 13 Relay diaphragm assembly | 36 Balance adjust screw | 106 Washer |
| 14 Relay plate | 37 O-ring | 107 Signal gauge |
| 15 Diaphragm retaining plate | 38 O-ring | 110 Orifice screen |
| 16 Signal diaphragm assembly | 39 Adjustable seat spring | 112 Snap ring |
| 17 Set screw | 40 Span arm | 116 Rotor or Indicator |
| 18 Spring | 43 Pivot bushing | 117 O-ring |
| 19 Set screw | 44 Pivot screw | 118 O-ring |
| 20 Nut | 45 Snap ring | 119 Dome |
| 21 Adjustable gain upper plate/flapper assembly | 46 Zero arm | 120 Adapter shaft |
| 22 Pan head screw | 47 Feedback spring | 121 Screw |
| 23 Socket screw | 48 Pivot Block | 128 Jam nut |
| 24 Washer | 49 Adjust zero knob | 130 Spring |
| 25 Spacer nut | 50 Zero locking knob | 200 Relay Assembly |

All of the above parts are in stock and can be purchased in a spare parts kit. For selecting and ordering the appropriate kit or a new positioner contact your Flowserve representative or contact the factory.



Product Nomenclature

- **PREFIX I**
 - W – Worcester Controls Black Polyester Paint

- **MODEL**
 - 80 – PP Input 3-15 psi
 - 81 – EP Input 4-20 mA General Purpose
 - 82 – EP input 4-20 mA FM/CSA Explosionproof/Intrinsically Safe (See Note 1)
 - 83 – EP Input 4-20 mA ATEX/IEC EEx d IIb +H2 Explosionproof (See Note 2)
 - 84 – EP Input 4-20 mA ATEX/IEC EEx ia IIC Intrinsically Safe (See Note 3)
 - 85 – EP Input 4-20 mA SAA Explosionproof/Intrinsically Safe (See Note 4)

- **INDICATION**
 - 1 – Standard Flat with Green Indicator
 - 2 – UltraDome Indicator
 - K – EKTAR UltraDome Indicator
 - T – Top Mounted UltraSwitch (NAMUR Switchbox)
 - D – Top Mounted UltraSwitch (Double “D” Switchbox)

- **GAUGES**
 - 3 – No Gauges
 - 4 – Standard Gauges (SST casing w/ brass internals)
 - 5 – Stainless Steel Gauges

- **PNEUMATIC RELAY**
 - 6 – 2-Stage Pneumatic Relay – EPDM / -40° to +220°F (-40° to 104°C) (See Note 3)
 - 7 – 2-Stage Pneumatic Relay – Standard -20° to 180°F
 - 8 – 2-Stage Pneumatic Relay – Extended Temperature -40° to 180°F
 - 9 – 2-Stage Pneumatic Relay – VITON / -20° to +350°F (-29° to +121°C) (See Note 6)

- **CAM TYPE**
 - A – Standard Linear Cam 3-15 psi, 3-9 psi, 9-15 psi, D or R, 180°
 - C – Characterized Cam, Square (Quick Opening), D or R

- **FEEDBACK OPTIONS**
 - 0 – none
 - F – 4-20mA Transmitter
 - K – (2) SPDT Mechanical Switches
 - M – (2) SPST Proximity Switches
 - N – (2) SPDT Proximity Switches
 - Q – (2) I.S. Rated Solid State Sensors

- **OPTIONS**
 - T – NAMUR Shaft – 1/2” NPT Conduit Entries
 - D – Double “D” Shaft (.250” flats) - 1/2” NPT Conduit Entries
 - U – NAMUR Shaft M20 Conduit Entries
 - V – Double “D” Shaft (.250” flats) – M20 Conduit Entries

- **SPECIAL CUSTOMIZATION**
 - ZZ – Refer to Custom Code Log (See Note 7)



Notes:

1. Explosionproof CI I Div 1 Gr. BCD CI II Div 1 Gr. EFG, I.S. CI I II Div 1 Gr ABCDEFG, Non-incendive CI I Div 2 Gr ABCD
2. ATEX Flameproof II 2 GD Ex d IIB+H2 T6(-40°C to +40°C) tD A21 T40°C
3. ATEX Intrinsically Safe II 1 G EEx ia IIC , II 3 GD (T70°C) EEx nL IIC T6 ((-40°C to +40°C)
4. Australia ANZEX Flameproof Ex d IIB+H2, IS EX ia IIC T5 @65°C, Ex n IIC T5
5. If an I/P is used, the temperature rating is -40° to +185°F (-40° to 85° C)
6. If an I/P is used, the temperature rating is -20° to +185°F (-29° to +85° C)
7. Customer options are available and will be assigned a code "ZZ"



REPRESENTATIVE:

Flowserve Corporation

1978 Foreman Drive
Cookeville, Tennessee, USA, 38501
931 432-4021

Flowserve Flow Control UK Ltd

Haywards Heath, West Sussex, UK
44 (0)1444 314400

Flowserve Corporation

12 Tuas Avenue 20
Singapore
68798900

Flowserve Corporation

Rua Tocantins, 128
São Caetano do Sul, SP, Brazil
55 11 2169-6300

Bulletin FCD WCENIM2078-03

To find your local Flowserve representative please use the Sales Support Locator System found at www.flowserve.com

Or call toll free: 1-931-432-4021

Flowserve Corporation has established industry leadership in the design and manufacture of its products. When properly selected, this Flowserve product is designed to perform its intended function safely during its useful life. However, the purchaser or user of Flowserve products should be aware that Flowserve products might be used in numerous applications under a wide variety of industrial service conditions. Although Flowserve can provide general guidelines, it cannot provide specific data and warnings for all possible applications. The purchaser/user must therefore assume the ultimate responsibility for the proper sizing and selection, installation, operation, and maintenance of Flowserve products. The purchaser/user should read and understand the (INSERT OFFICIAL USER INSTRUCTION TITLE) instructions included with the product, and train its employees and contractors in the safe use of Flowserve products in connection with the specific application.

While the information and specifications contained in this literature are believed to be accurate, they are supplied for informative purposes only and should not be considered certified or as a guarantee of satisfactory results by reliance thereon. Nothing contained herein is to be construed as a warranty or guarantee, express or implied, regarding any matter with respect to this product. Because Flowserve is continually improving and upgrading its product design, the specifications, dimensions and information contained herein are subject to change without notice. Should any question arise concerning these provisions, the purchaser/user should contact Flowserve Corporation at any one of its worldwide operations or offices.

For more information about Flowserve Corporation, contact www.flowserve.com or call USA 1-800-225-6989.