

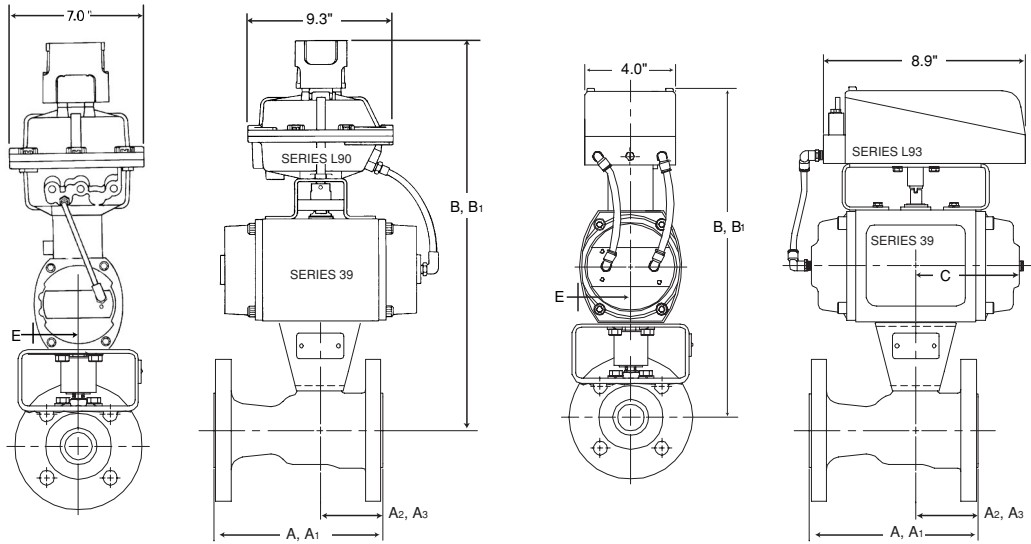


Worcester Controls

CV-Supplement 3

Dimensions Inches (mm) **39 Pneumatic Actuator with Pulsair® and Pulsair III Positioner**

Actuator Size D.A. or S.R.	C	E
10	3.05 (77.5)	1.52 (38.6)
15	3.84 (97.5)	1.86 (47.2)
20	4.62 (117.4)	2.30 (58.4)
25	5.31 (134.9)	2.67 (67.8)
30	6.39 (162.3)	3.05 (77.5)



39 Actuator with Pulsair Positioner

39 Actuator with Pulsair III Positioner

1/2"–2" CPT 51/52 and 1/2"–2" CPT 94 Flanged Control Valves **1/2"–2" S51/S52 Flanged Standard Seat Control Valves**

Valve Size	Face to Face		Center to Face		39 Pneumatic Actuator Direct Acting or Spring Return with Pulsair Positioner			39 Pneumatic Actuator Direct Acting or Spring Return with Pulsair III Positioner	
	A 51 (150 lb.)	A1 52 (300 lb.)	A2 51 (150 lb.)	A3 52 (300 lb.)	Size	B - S51/S52, CPT51/52	B1 CPT94	B - S51/S52, CPT51/52	B1 CPT94
	1/2"	4.25 (108.0)	5.50 (139.7)	1.81 (45.97)	2.31 (58.67)	10	17.78 (452)	20.53 (521)	11.31 (287)
3/4"	4.62 (117.4)	6.0 (152.4)	1.94 (49.28)	2.44 (61.98)	10	17.87 (454)	20.62 (524)	11.40 (290)	14.15 (359)
					15	18.59 (472)	21.34 (542)	12.12 (308)	14.87 (378)
1"	5.00 (127.0)	6.50 (165.1)	2.25 (57.15)	2.75 (69.85)	15	18.83 (478)	21.76 (553)	12.36 (314)	15.29 (388)
					20	19.65 (499)	22.58 (574)	13.19 (335)	16.12 (409)
1-1/2"	6.50 (165.0)	7.50 (190.5)	2.45 (62.23)	2.95 (74.93)	20	20.61 (523)	23.26 (591)	14.15 (359)	16.80 (427)
					25	22.28 (566)	24.96 (634)	15.91 (404)	18.59 (472)
2"	7.00 (178.0)	8.50 (215.9)	2.67 (67.82)	3.17 (80.52)	20	20.80 (528)	23.45 (596)	14.34 (364)	16.99 (432)
					25	22.47 (571)	25.15 (639)	16.10 (409)	18.78 (477)
					30	23.29 (590)	25.98 (660)	16.92 (430)	19.60 (498)

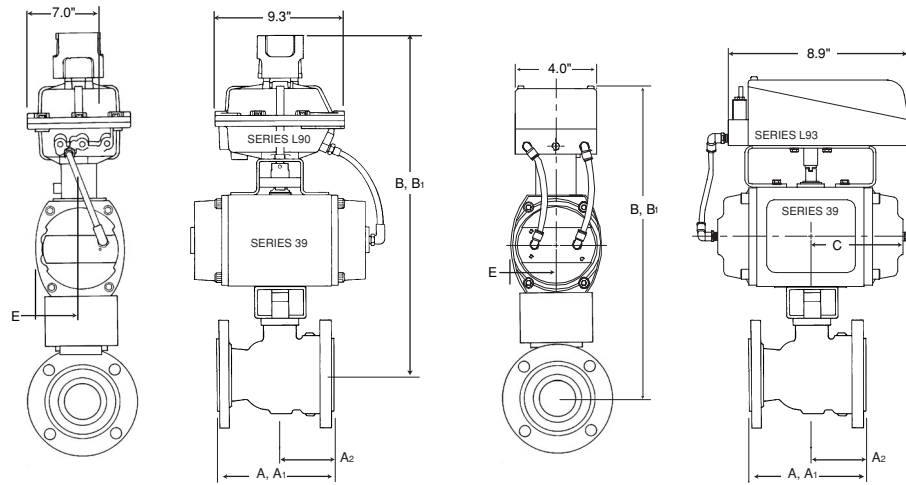
Pulsair® is a registered trademark of Flowserve Corporation.

Dimensions Inches (mm)

C_v Supplement 3

39 Pneumatic Actuator with Pulsair & Pulsair III Positioner

Actuator Size D.A. or S.R.	C	E
25	5.31 (134.9)	2.67 (67.8)
30	6.39 (162.3)	3.05 (77.5)
33	7.83 (119.0)	4.04 (102.5)
35	8.31 (211.1)	4.17 (105.9)
40	10.00 (254.0)	4.82 (122.4)
42	12.12 (307.8)	5.57 (141.5)
45	11.43 (290.3)	6.60 (167.6)



39 Actuator with Pulsair Positioner

39 Actuator with Pulsair III Positioner

3" & 4" CPT 51/52 and 3" & 4" CPT 94 Flanged Control Valves 3"-8" 51/52 Flanged Standard Seat Control Valves

Valve Size	Face to Face			39 Pneumatic Actuator Direct Acting or Spring Return with Pulsair Positioner			39 Pneumatic Actuator Direct Acting or Spring Return with Pulsair III Positioner			
	A (150 lb.)	A1 (300 lb.)	A2 (150, 300 lb.)	Size	B 51/52	B CPT51/52	B1 CPT 94	B 51/52	B CPT51/52	B1 CPT 94
	3"	8.00 (203.2)	11.12 (282.5)	3.62 (91.9)	25	24.58 (624)	24.58 (624)	25.50 (648)	18.21 (463)	18.21 (463)
4"	9.00 (228.6)	12.00 (304.8)	4.00 (101.6)	30	25.63 (651)	25.63 (651)	26.32 (669)	19.26 (489)	19.26 (489)	19.95 (507)
				33	28.48 (723)	28.48 (723)	29.61 (752)	21.42 (544)	21.42 (544)	22.55 (573)
				35	28.58 (726)	28.58 (726)	29.71 (755)	21.52 (547)	21.52 (547)	22.65 (575)
				40	31.95 (811)	31.95 (811)	32.64 (829)	24.89 (632)	24.89 (632)	25.58 (650)
6"	10.50 (266.7)	15.88 (403.4)	4.25 (107.9)	35	31.82 (808)	-	-	24.71 (628)	-	-
				40	34.52 (877)	-	-	27.46 (697)	-	-
				42	36.34 (923)	-	-	29.28 (744)	-	-
				45	37.39 (950)	-	-	-	-	-
8"	11.50 (292.1)	16.50 (419.1)	5.69 (144.5)	42	37.43 (951)	-	-	30.37 (771)	-	-
				45	38.48 (977)	-	-	-	-	-

For more information about Flowserve Corporation, contact www.flowserve.com or call USA 1 800 225 6989.

FLOWSERVE CORPORATION
FLOW CONTROL DIVISION
 1978 Foreman Drive
 Cookeville, Tennessee 38501 USA
 Phone: 931 432 4021
 Facsimile: 931 432 5518