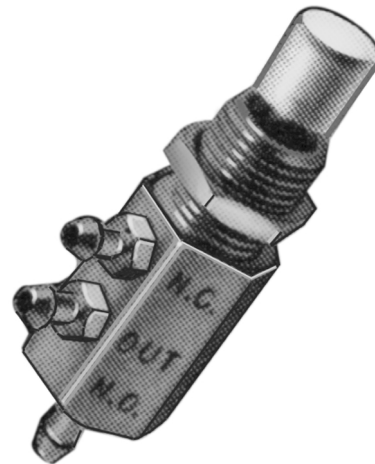


## UltraSwitch™ Pneumatic Switch Option

### Introduction:

Accord UltraSwitch™ Pneumatic Switches provide non-electrical valve position indication. The switches are actually miniature 3-way spool valves, operated by cams. Tool-free cam adjustment is accomplished through a springloaded spline arrangement. Simply push or pull the cam, disengaging the splines, and rotate to desired switch trip point. After releasing, the spring causes automatic spline engagement, locking the setting.



### Applications:

UltraSwitch™ Pneumatic Switches may be used in any hazardous location because no electricity is involved. They are commonly used as interfaces to pneumatic logic systems.

### Features:

1. Spool valves are "piped" to a manifold block with 1/16" I.D. plastic tubing. The manifold includes 1/16" diameter hose barbs for user connections.
2. Spool valves may be used as 3-way actuating valves, or may be used to divert flow between two ports.  
*Note: 3-way configuration requires venting at UltraSwitch™ conduit entries.*
3. Spool valves feature non-metallic actuating buttons for long life.

Accord Controls  
A Unit of Flowserve Corporation  
www.accord-controls.com

765 South 100 East  
Provo, Utah 84606  
Phone: 801 373 4576

1978 Foreman Dr.  
Cookville, TN 38501  
Phone: 931 432 4021

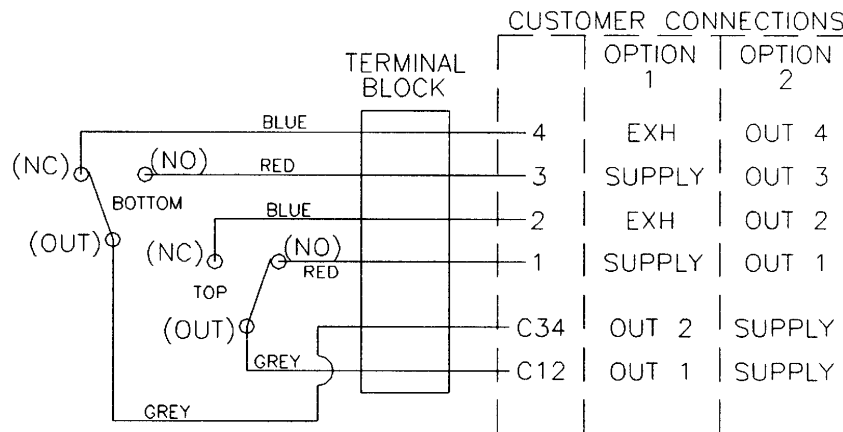
### Specifications:

Maximum Supply Pressure: 100 psi  
Ambient Temperature Range: 32-120°F  
Materials of Construction:

Spool Valve: Brass w/Buna Seals  
Tubing/Fittings: Urethane/Brass  
Manifold Block: Stainless Steel

Spool Valve Flow Capacity:  
1.4 SCFM @ 100 psi  
0.31 SCFM @ 25 psi

### Piping Diagram:



#### NOTES:

1. SWITCHES SHOWN AT 0°
2. IF STROKE IS SLOW, ALL PORTS MAY MOMENTARILY BE COMMON

### How to Order:

Referring to the table of contents page, specify an "N" for the switch option.

Example: APL2N000: Accord PL Series UltraSwitch™ with (2) pneumatic switches and Pharos™ visual indicator.