

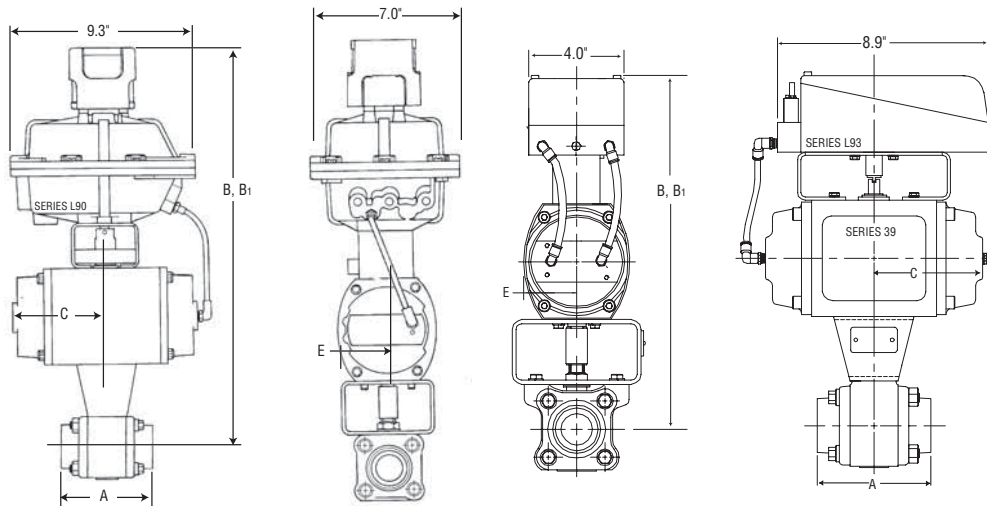


Worcester Controls

FCD WCAPS0004-00  
(Part CV-Supplement 2)

# 39 Pneumatic Actuator with Pulsair® and Pulsair III Positioner

Dimensions in inches (mm)



39 Actuator with Pulsair Positioner  
Series 44 Shown

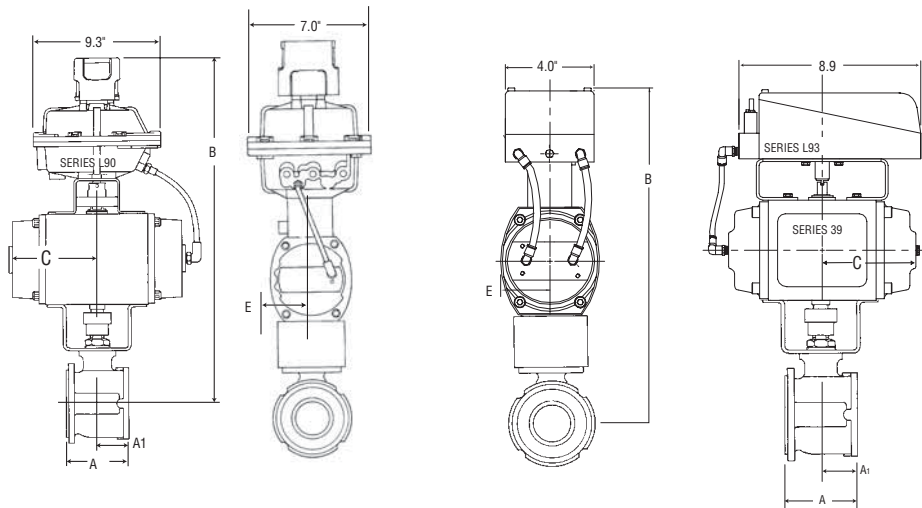
39 Actuator with Pulsair III Positioner  
Series 44 Shown

Actuator Size D.A. or S.R.	C	E
10	3.05 (77.5)	1.52 (38.6)
15	3.84 (97.5)	1.86 (47.2)
20	4.62 (117.4)	2.30 (58.4)
25	5.31 (134.9)	2.67 (67.8)
30	6.39 (162.3)	3.05 (77.5)

1/4"-2" S44, 1/4"-2" CPT 44 and 1/4"-2" CPT 94 Three-Piece Control Valves

Valve Size	Face to Face		39 Pneumatic Actuator Direct-Acting or Spring-Return with Pulsair Positioner		39 Pneumatic Actuator Direct-Acting or Spring-Return with Pulsair III Positioner	
	SW, BW1, BW4	Size	S44, CPT 44	CPT 94	S44, CPT 44	CPT 94
	A		B	B <sub>1</sub>	B	B <sub>1</sub>
1/4", 1/2"	2.54 (64.5)	10	17.78 (452)	20.53 (521)	11.31 (287)	14.06 (357)
	2.76 (70.1)		17.87 (454)	20.62 (524)	11.40 (290)	14.15 (359)
1"	3.66 (93.0)	10	18.11 (460)	21.04 (534)	11.64 (296)	14.57 (370)
	3.66 (93.0)	15	18.83 (478)	21.76 (553)	12.36 (314)	15.29 (388)
1 1/4" (S44 only)	4.16 (105.7)	10	18.30 (465)	—	11.83 (300)	—
	4.16 (105.7)	15	19.02 (483)	—	12.55 (319)	—
1 1/2"	4.50 (114.3)	15	19.79 (503)	22.44 (570)	13.32 (338)	15.97 (406)
		20	20.61 (523)	23.26 (591)	14.15 (359)	16.80 (427)
		25	22.28 (566)	24.96 (634)	15.91 (404)	18.59 (472)
2"	4.94 (125.5)	25	22.47 (571)	25.15 (639)	16.10 (409)	18.78 (477)
		30	23.29 (592)	25.98 (660)	16.92 (430)	19.60 (498)

Dimensions in inches (mm)



39 Actuator with Pulsair Positioner

39 Actuator with Pulsair III Positioner

3"-4" CPT 44 Wafer Control Valves and 3"-6" 151/301 Standard Seat Control Valves

Valve Size	Face to Face A	A <sub>1</sub>	39 Pneumatic Actuator Direct-Acting or Spring-Return with Pulsair Positioner		39 Pneumatic Actuator Direct-Acting or Spring-Return with Pulsair III Positioner		Actuator Size D.A. or S.R.	C	E
			Size	B	B	B			
3"	4.50 (114.3)	2.25 (57.2)	25	24.58 (624)	18.21 (463)	25	5.31 (134.9)	2.67 (67.8)	
			30	25.63 (651)	19.26 (489)	30	6.39 (162.3)	3.05 (77.5)	
			33	28.48 (723)	21.42 (544)	33	7.83 (119.0)	4.04 (102.5)	
			35	28.58 (726)	21.52 (547)	35	8.31 (211.1)	4.17 (105.9)	
4"	5.81 (147.6)	2.90 (73.7)	30	26.23 (666)	19.86 (504)	40	10.00 (254.0)	4.82 (122.4)	
			33	29.08 (739)	22.02 (559)	42	12.12 (307.8)	5.57 (141.5)	
			35	29.18 (741)	22.12 (562)	45	11.43 (290.3)	6.60 (167.6)	
			40	31.95 (811)	24.89 (632)				
6"	7.38 (187.5)	3.69 (93.7)	35	31.82 (808)	24.71 (628)				
			40	34.52 (877)	27.46 (697)				
			42	36.34 (926)	29.28 (744)				
			45	37.39 (950)	—				

For more information about Flowserve Corporation, visit [www.flowserve.com](http://www.flowserve.com) or call USA 1-800-225-6989.

**FLOWSERVE FLOW CONTROL**  
 1978 Foreman Drive  
 Cookeville, TN 38501  
 Phone: 931-432-4021  
 Fax: 931-432-5518