

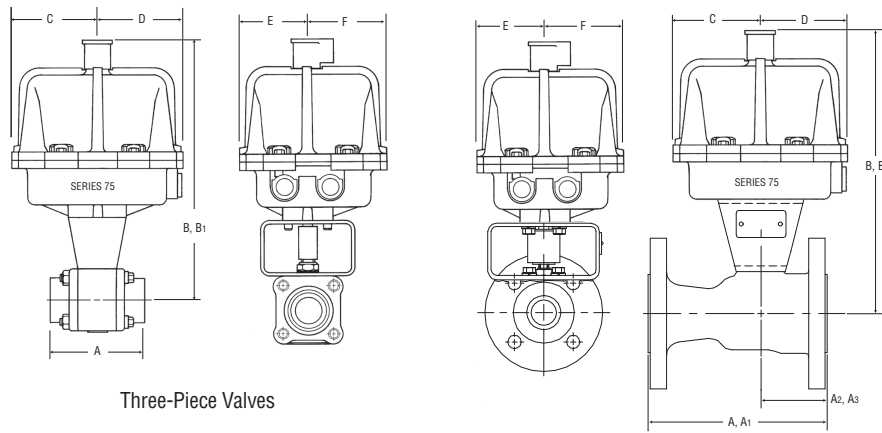


Worcester Controls

FCD WCAPS0006-00  
(Part CV-Supplement 4)

# Valve and 75 Electric Actuator (Overall Envelope Dimensions)

Dimensions in inches (mm)



Three-Piece Valves

Flanged Valves

1/4"-2" S44, CPT 44, CPT 94 Three-piece Control Valves  
1/2"-2" S 51/52, CPT 51/52, CPT 94 Flanged Control Valves

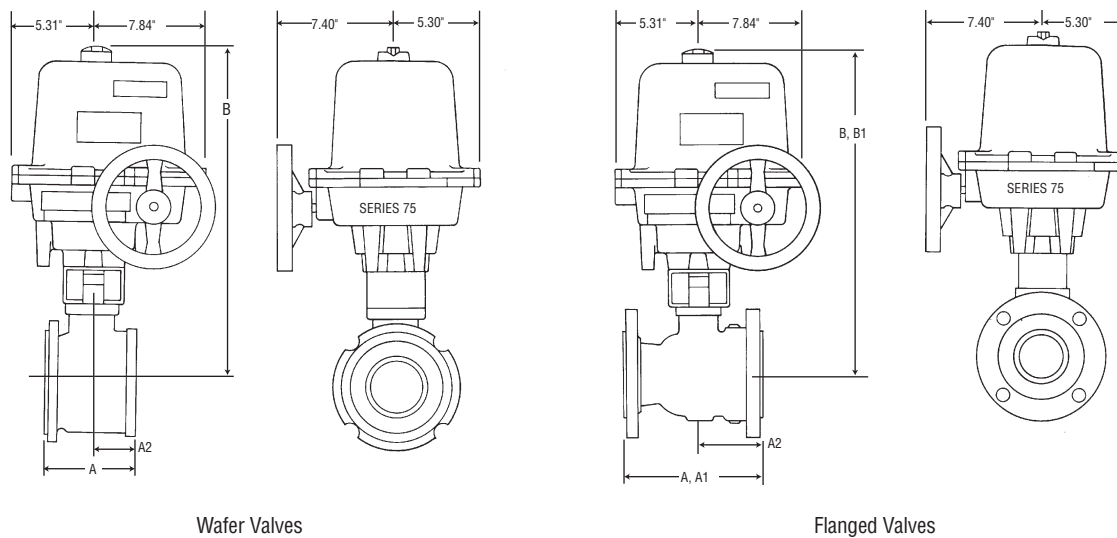
75 Electric Actuator†								
Valve Size	A	Face to Face		Center to Face		Size	B	B <sub>1</sub>
	Three-Piece (SW, BW1, BW4)	A <sub>51</sub>	A <sub>1 52</sub>	A <sub>2 51</sub>	A <sub>3 52</sub>		S44/51/52 & CPT 44/51/52	CPT 94
		(150#)	(300#)	(150#)	(300#)			
1/4", 1/2"	2.54 (64.5)	4.25 (108.0)	5.50 (139.7)	1.81 (45.97)	2.31 (58.67)	10 through 23	11.44 (291)	14.19 (360)
3/4"	2.76 (70.1)	4.62 (117.4)	6.0 (152.4)	1.94 (49.28)	2.44 (61.98)	10 through 23	11.53 (293)	14.28 (363)
1"	3.66 (93.0)	5.00 (127.0)	6.50 (165.1)	2.25 (57.15)	2.75 (69.85)	10 through 23	11.77 (299)	14.70 (373)
1 1/4" (S44 only)	4.16 (105.7)	—	—	—	—	10 through 23	11.96 (304)	—
1 1/2"	4.50 (114.3)	6.50 (165.0)	7.50 (190.5)	2.45 (62.23)	2.95 (74.93)	10 through 23	12.73 (323)	15.38 (391)
2"*	4.94 (125.5)	7.00 (178.0)	8.50 (215.9)	2.67 (67.82)	3.17 (80.52)	22, 23*	12.92 (328)	15.56 (395)

Actuator Size	C	D	E	F
10 through 22	3.90 (99.1)	3.90 (99.1)	3.14 (79.8)	3.61 (91.7)
23 (and sizes 10 through 22 with "Z" enclosures)	4.23 (107.4)	4.23 (107.4)	3.48 (88.4)	3.97 (100.9)

\*A 2" CPT should not be sized with an electric actuator smaller than a 2275; a mechanical brake must also be ordered with this combination.

† B dimensions are for actuator sizes 10-22. Add 1.15" for 2375.

Dimensions in inches (mm)



Wafer Valves

Flanged Valves

3"-4" CPT 44 Wafer Control Valves  
3"-4" 151/301 Wafer Standard Seat Control Valves

75 Electric Actuator†				
Valve Size	Face to Face		Size	B
	A	A <sub>2</sub>		
3"	4.50 (114.3)	2.25 (57.2)	25 and 30	21.64 (550)
4"	5.81 (147.6)	2.90 (73.7)	25 and 30	22.24 (565)

3"-4" CPT51/52/94 Flanged Valves  
3"-4" 51/52 Standard Seat Control Valves

75 Electric Actuator†						
Valve Size	Face to Face			Size	B	
	A	A <sub>1</sub>	A <sub>2</sub>		CPT 51/52	CPT 94
	(150#)	(300#)	(150/300#)			
3"	8.00 (203.2)	11.12 (282.5)	3.62 (91.9)	25 and 30	21.64 (550)	22.33 (567)
4"	9.00 (228.6)	12.00 (304.8)	4.00 (101.6)	25 and 30	22.24 (565)	22.93 (582)

For more information about Flowserve Corporation, visit [www.flowserve.com](http://www.flowserve.com) or call USA 1-800-225-6989.

**FLOWSERVE CORPORATION**  
**FLOW CONTROL DIVISION**  
1978 Foreman Drive  
Cookeville, TN 38501  
Phone: 931-432-4021  
Fax: 931-432-5518