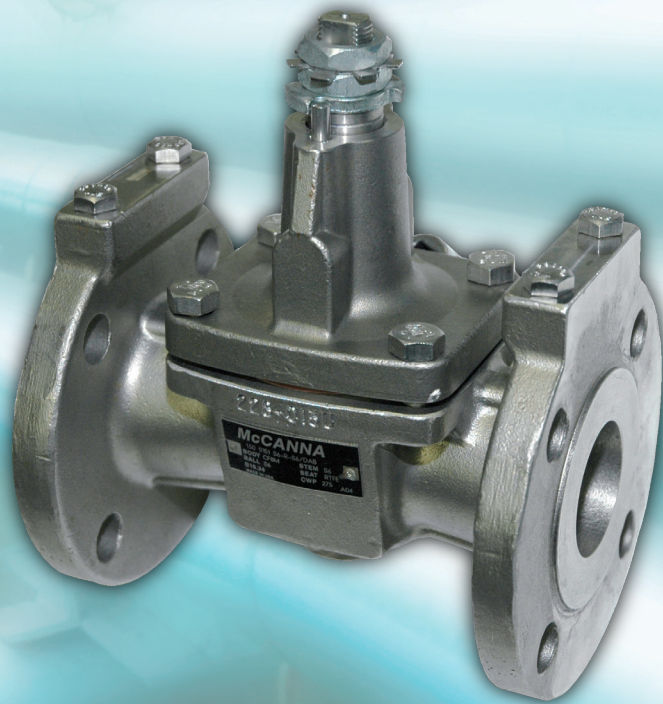
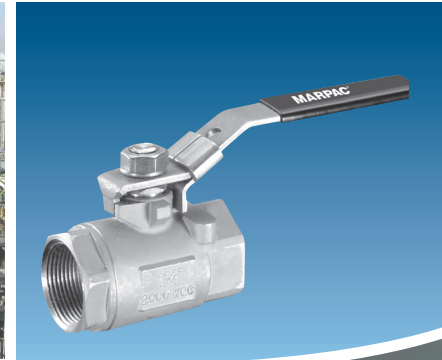


McCANNA / MARPAC Product Catalog





To Access Literature On-line ▶

More information about FLOWSERVE products can be obtained on-line. It's easy to find... it's free... and you do not need a password.

▶ Do This:

❶ Go to www.flowsERVE.com/library

❷ Search the library

Enter criteria *or* Enter keyword or literature number

The most recent version of each product bulletin will be available on this site.

Once you have the PDF, you can:

- read it
- print it
- download it
- even e-mail it

McCANNA Top entry Cryogenic (CX)



Features

- Top entry design ball valve
- Full port and reduced port valves
- ASME class 150, 300, 600 design.
- PCTFE (e.g. Kel-F®) seat material
- “Wedge” seat design
- Special low-torque cryogenic seat profile
- All cast non-welded bonnet extension
- Uni-Directional flow
- Stems are double-sealed
- Single piece stem design
- Live loaded stem seals
- Inline repairable
- Upstream cavity pressure relief
- Valve operation - Wrench / Gear / Actuators

Sizes

- ½” - 8” Reduced Port
- ½” – 6” Full Port
- RF Flanged
- Screwed end 1” and below
- Socket weld 1” and below
- Butt weld

Standards

- ASME B16.34
- Flange details to ASME B 16.5
- S.E. to ASME B 1.20.1
- S.W. to ASME B 16.11
- Buttweld to ASME B16.25
- Reduced Port Flanged / Buttweld valve face to face to ASME B16.10
- API 607 & ISO 10497 fire test
- BS 6364, MSS SP-134, MESC SPE 77/200 Bonnet extension height
- ISO 5211 Mounting pad
- Design in accordance with API 6D
- API 598 testing
- ISO 15848-1, Tightness Class BH and Endurance Class C01

Get more information:

Product catalog:

- MMENBR1027-01

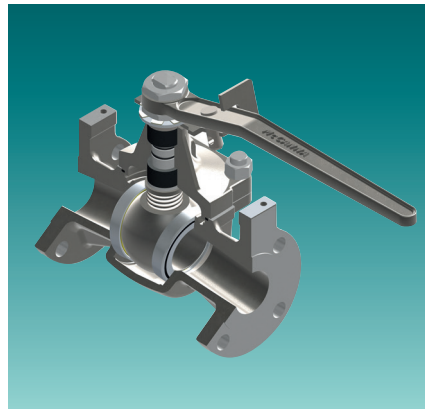
IOM:

- MMENIM2007-010AQ

Valve Sizing Manual:

- Mmass0008-00

McCANNA Top entry Current McCANNA (S/Y/Z)



Features

- Top entry design ball valve
- Full port and reduced port valves
- ASME class 150-1500 design
- Meets ASME B16.34 requirements (consult pressure/temperature charts)
- “Wedge” seat design
- Multiple body and trim materials
- Live loaded stem seals
- Multiple soft and metal seat options
- Bi-directional sealing
- Multiple bonnet options
- Special service applications: UL, API 607, PTA, chlorine and other special service approvals.
- Inline repairable
- Valve operation -Wrench / Gear / Actuators

Sizes

- ½” - 20” Reduced Port
- 1” – 16” Full Port
- RF /RTJ Flanged
- Screwed end
- Socket weld
- Butt weld and others

Standards

- ASME B16.34
- Flange details to ASME B16.5
- S.E. to ASME B1.20.1
- S.W. to ASME B16.11
- Buttweld to ASME B16.25
- Reduced Port valve face to face to ASME B16.10
- API 607 fire test
- API 608
- ISO 15848-1 Qualified designs

Get more information:

Product catalog:

- RFP 100-2

IOM:

- MMAIM2007

Valve Sizing Manual:

- Mmass0008-00

McCANNA Top entry Trunnion Mounted (T) for PTA



Features

- Top entry design Trunnion Mounted Ball Valve
- Full port valves
- ASME class 150-300 design
- 6” & 8” ASME Class 1500 derated
- Meets ASME B16.34 requirements (consult pressure/temperature charts)
- “Wedge” seat design
- Designed for Stainless steel and Titanium material
- Carbon graphite seat design
- Bi-directional sealing
- Specially designed for PTA service applications
- Inline repairable
- Live loaded stem seals
- Upstream cavity pressure relief
- Sealtite body and bonnet design
- Valve Operation – Gear / Actuators

Sizes

- 6” – 16” Full Port
- RF /RTJ Flanged

Standards

- ASME B16.34
- Flanged details to ASME B 16.5
- Face to Face meets ASME B16.10
- API 607 & ISO 10497 Fire test
- Design in accordance with API 6D
- ISO 5211 Mounting pad
- API 598
- API 608
- ISO 15848-1 Qualified designs

Get more information:

Product catalog:

- MMENBR1015-00-AQ

IOM:

- No IOM yet

Valve Sizing Manual:

- Mmass0008-00

MARPAC Petro E790



Features

- 3-piece swing out double union end
- CWP pressure rating to 4500 psi
- Meets MSS-SP-99/61 requirements
- Seat retainer design allows for bench testing in the field before installation
- Multiple soft seat options
- Tight shut off and bi-directional sealing
- Forged construction

Sizes

- 1/4" - 2"
- Screwed end
- Socket weld
- Other end connections available

Standards

- NACE
- API 607 fire test
- UL

Get more information:

Product catalog:
• MMABR1022

IOM:
• MMAIM2002

Valve Sizing Manual:
• MMAS0008-00

MARPAC McCannflo F602



Features

- Forged bar 2-piece construction
- 3 body designs for instrument use
- Double sealed, back seated stem design
- Fire safe version
- Multiple materials available
- Anti-static live loaded stem build
- CWP pressure rating to 1500 psi

Sizes

- F602 1/4"-2"
- Gauge and compressor - see product catalog

Standards

- API 607 fire test
- NACE

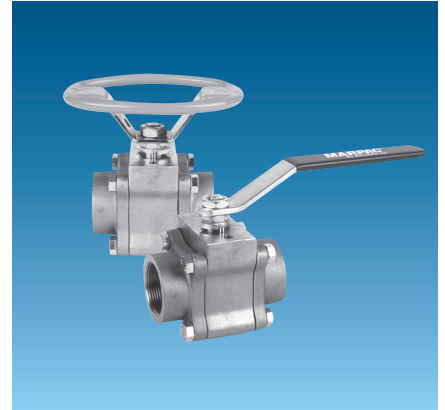
Get more information:

Product catalog:
• MMABR1008

IOM:
• MMAIM2006

Valve Sizing Manual:
• MMAS0008-00

MARPAC TriPac E325/525



Features

- 3-piece forged swing out design
- CWP pressure rating up to 3000 psi
- Tight shut-off
- Anti-static rugged stem build
- Multiple soft seat options
- Pre-drilled mounting holes for actuation

Sizes

- 1/4" - 2"
- CS and SS body materials

Standards

- ASME B16.34
- API 607 fire test

Get more information:

Product catalog:
• MMABR1019

IOM:
• MMAIM2003

Valve Sizing Manual:
• MMAS0008-00

MARPAC Series B780 WOG



Features

- Cast general purpose valve
- 2-piece body
- WOG 2000 psi rating
- Temperatures up to 450°F
- Carbon and stainless body materials

Sizes

- ¼"-2"

Standards

- N/A

Get more information:

Product catalog:

- MMENBR1013

IOM:

- MMENIM2009

Valve Sizing Manual:

- MMASS0008-00

MARPAC J/K Series



Features

- Unibody and split-body design
- Regular and full port design
- Custom and ISO 5211 mounting (FP)
- Wide variety of body, seat and seal materials means dependable, high cycle control on steam, petroleum products, chemicals and abrasive liquids
- Cavity filled designs

Sizes

- ½" to 8" - see product catalog
- ASME 150# and 300# class

Standards

- API 607 4th Edition
- NACE MRO1-75

Get more information:

Product catalog:

- MMABR1006
- MMENBR1030

IOM:

- MMENIM2011
- MMENIM2012

Valve Sizing Manual:

- MMASS0008-00



Flowserve Corporation
1978 Foreman Drive
Cookeville, Tennessee 38501
USA
Tel.: +1 931-432-4021
Fax.: +1 931-432-5518
www.flowserve.com

FCD MMENBR0001-03-AQ 04/2018 Printed in USA

To find your local Flowserve representative:

For more information about Flowserve Corporation, visit www.flowserve.com or call USA 1 800 225 6989

Flowserve Corporation has established industry leadership in the design and manufacture of its products. When properly selected, this Flowserve product is designed to perform its intended function safely during its useful life. However, the purchaser or user of Flowserve products should be aware that Flowserve products might be used in numerous applications under a wide variety of industrial service conditions. Although Flowserve can (and often does) provide general guidelines, it cannot provide specific data and warnings for all possible applications. The purchaser/user must therefore assume the ultimate responsibility for the proper sizing and selection, installation, operation, and maintenance of Flowserve products. The purchaser/user should read and understand the Installation Operation Maintenance (IOM) instructions included with the product, and train its employees and contractors in the safe use of Flowserve products in connection with the specific application.

While the information and specifications contained in this literature are believed to be accurate, they are supplied for informative purposes only and should not be considered certified or as a guarantee of satisfactory results by reliance thereon. Nothing contained herein is to be construed as a warranty or guarantee, express or implied, regarding any matter with respect to this product. Because Flowserve is continually improving and upgrading its product design, the specifications, dimensions and information contained herein are subject to change without notice. Should any question arise concerning these provisions, the purchaser/user should contact Flowserve Corporation at any one of its worldwide operations or offices.

© 2014 Flowserve Corporation, Irving, Texas, USA. Flowserve is a registered trademark of Flowserve Corporation.