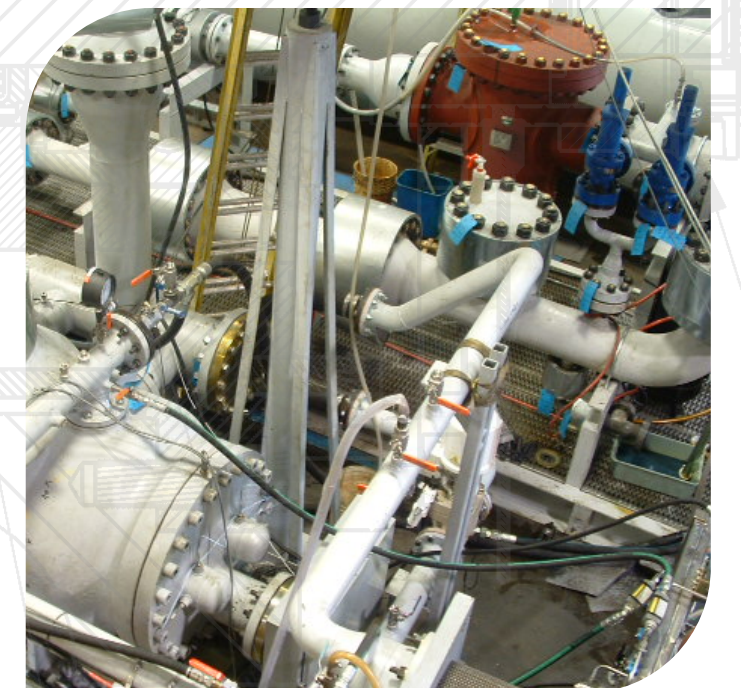
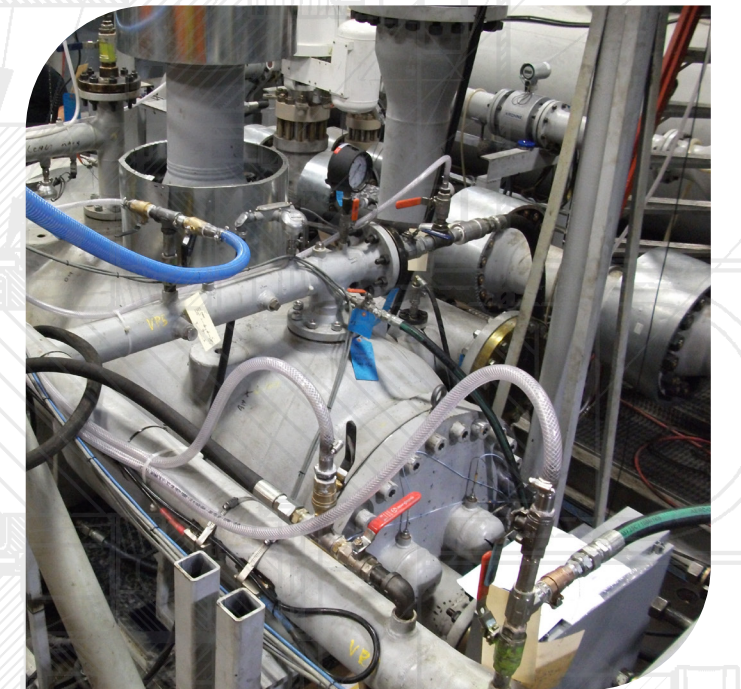
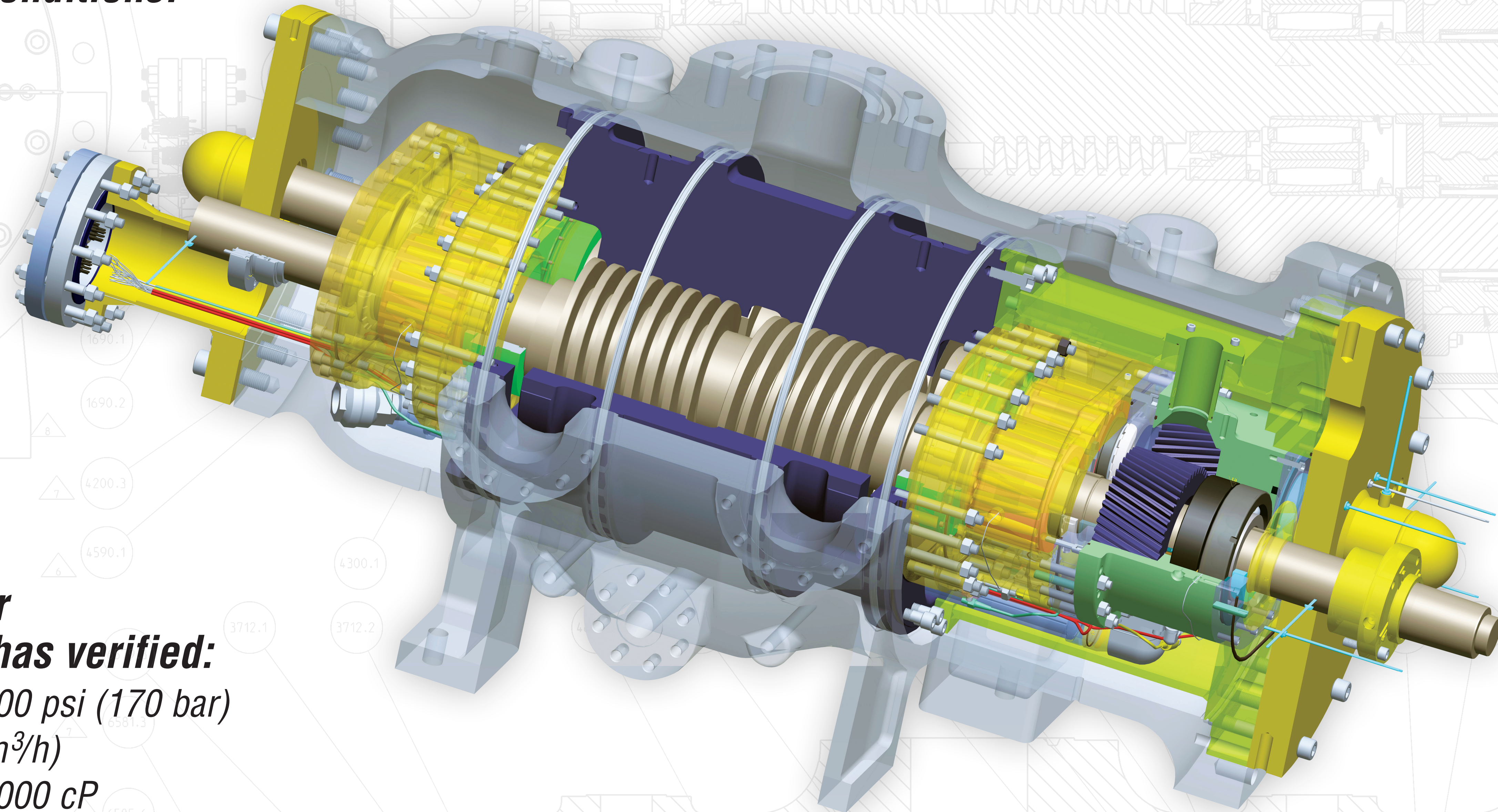
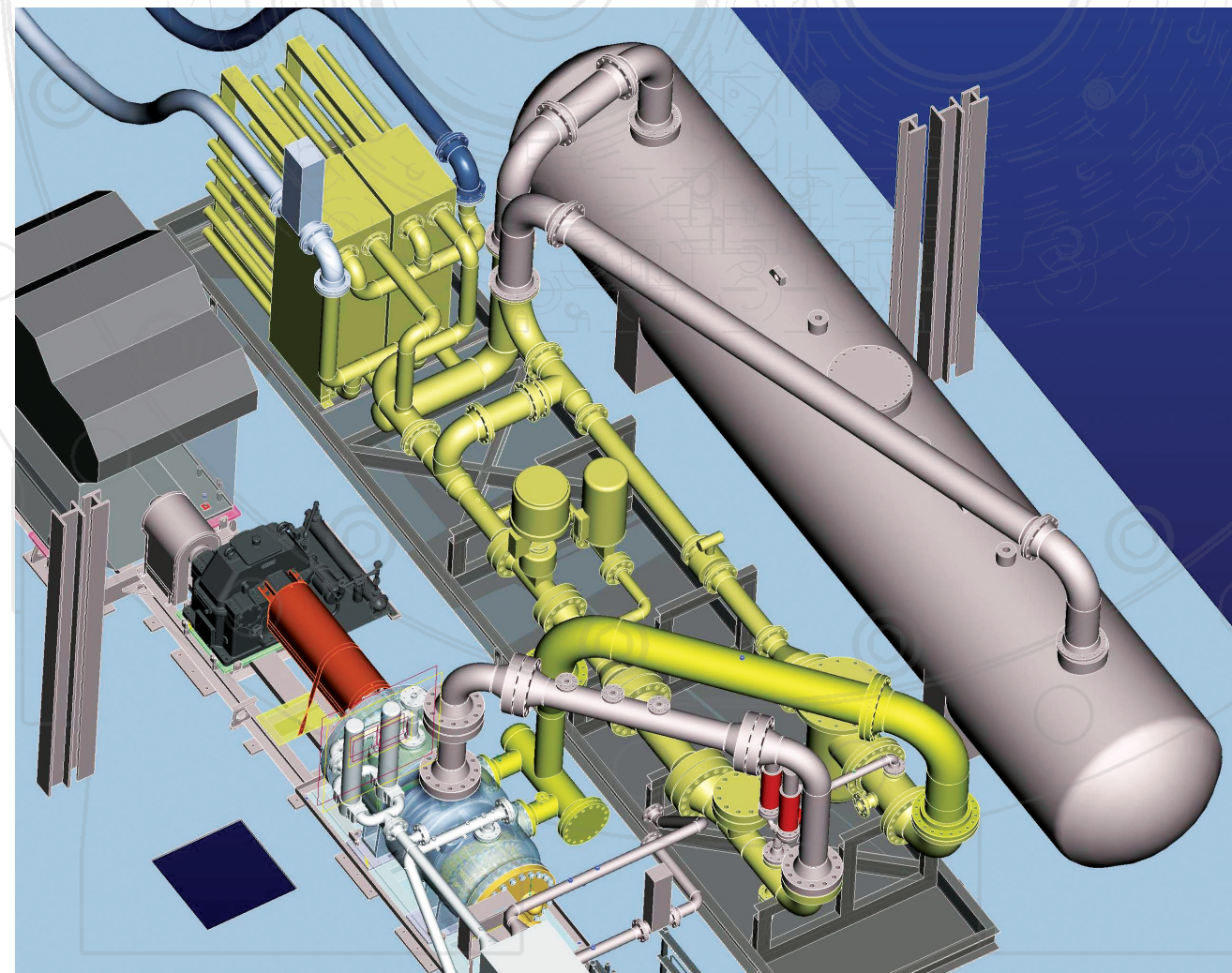


**SSMPP tested to extreme limits to ensure successful operation under the most adverse subsea conditions.**



**Performance testing on our state-of-the-art test stand has verified:**

- Boost pressure in excess of 2500 psi (170 bar)
- Flow rate of 90 000 bpd (447 m<sup>3</sup>/h)
- Product viscosities from 1 to 2000 cP
- Speeds from 300 to 1950 rpm