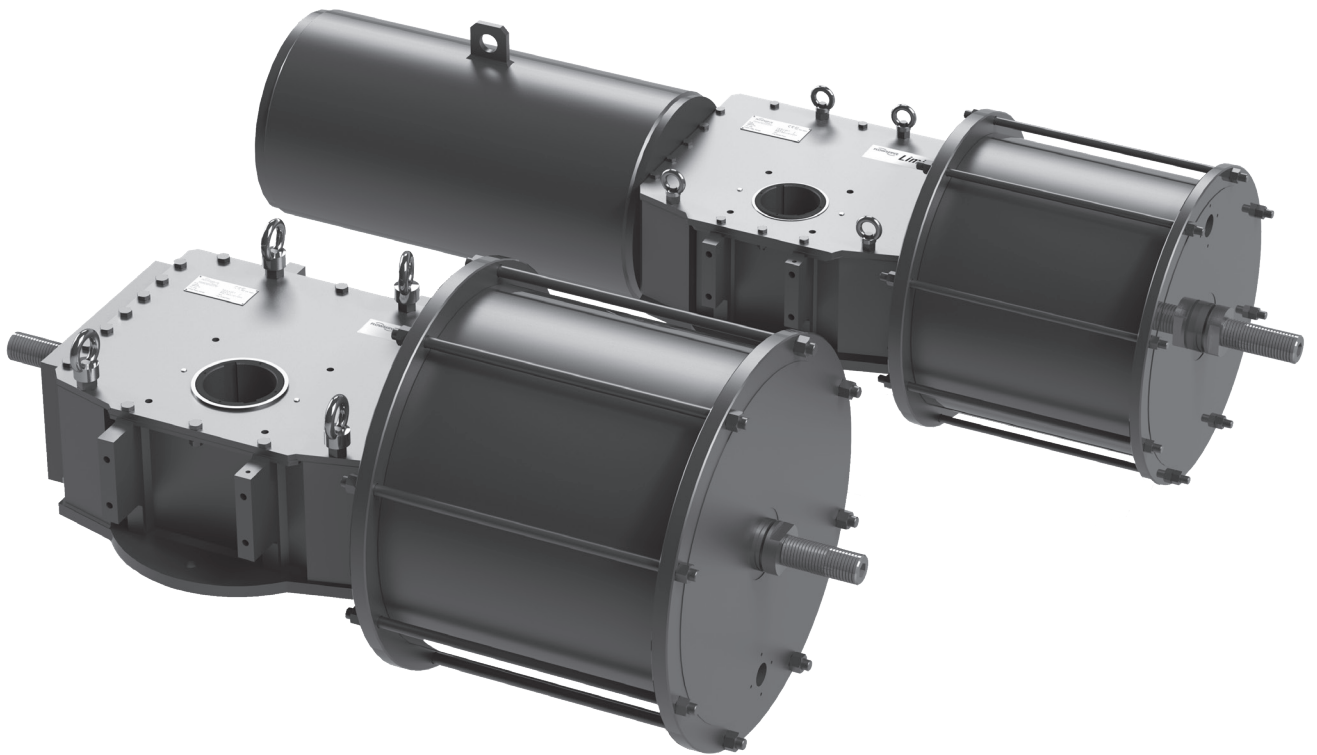


Limitorque™ LPS Series Actuator



Contents

LPS Series Pneumatic Heavy Duty Actuator Specifications	4
Actuator Selection Table	6
Actuator Selection Guidance	7
1. Scope.....	7
2. General Definitions/Terms Used	7
3. Inputs for Sizing Pneumatic Scotch Yoke Actuators	8
4. LPS Manual Overrides	14
5. Single Action and Double Action Configurations.....	15
6. Performance Data	16
7. Dimensions	16
8. Disclaimer	16
LPS Single Acting: PC & FO Performance Tables	62-128
LPS Double Acting Actuator: Performance Tables - 2.5 - 4.5 barg	129-138
LPS Double Acting Actuator: Performance Tables - 5 - 9 barg	138-142
Mounting Interface Dimensions	143
Details of Namur VDE/VDI 3845 Adaptor Kit	144
Center Body Mounting Holes	145
Service Kits	146

Figures

Figure 1: Example of Actuator OPEN (by pneumatic) Torque Curve: Single Acting Spring Return - Fail Close (CW).....	8
Figure 2: Example of Actuator CLOSE (by spring) Torque Curve: Single Acting Spring Return - Fail Close (CW).....	9
Figure 3: Single Acting Actuator Configuration: Fail Close - Fail Clockwise	15
Figure 4: Single Acting Actuator Configuration: Fail Open - Fail Counter Clockwise	15
Figure 5: Double Acting Actuator Configuration – Close Position	15
Figure 6: Double Acting Actuator Configuration – Open Position	15
Figure 7: Single Acting Configuration - Fail Close	17
Figure 8: Single Acting Configuration - Fail Open	17
Figure 9: Double Acting	28
Figure 10: Single Acting + Manual Override JL: Fail Close	32
Figure 11: Single Acting + Manual Override JL: Fail Open	32
Figure 12: Single Acting + Manual Override BG: Fail Close	36
Figure 13: Single Acting + Manual Override BG: Fail Open	36
Figure 14: Single Acting + Manual Override JS: Fail Close	40
Figure 15: Single Acting + Manual Override JS: Fail Open	40
Figure 16: Double Acting + Manual Override JS	44
Figure 17: Single Acting + Manual Override HP: Fail Close	46
Figure 18: Single Acting + Manual Override HP: Fail Open	46
Figure 19: Double Acting + Manual Override HP	58
Figure 20: Single Acting Actuator	146
Figure 21: Spring Can Explode View.....	146
Figure 22: Exploded View of Pneumatic Cylinder.....	147
Figure 23: Exploded View of Adaptor Kit.....	148
Figure 24: Exploded View of Housing	148

Tables

Table 1: LPS Single Acting: Dimensional, Weight and Volume Tables	18-27
Table 2: LPS Double Acting: Dimensional, Weight and Volume Tables	29-31
Table 3: LPS Single Acting + Manual Override JL: Dimensional, Weight and Volume Tables	33-35
Table 4: LPS Single Acting + Manual Override BG: Dimensional, Weight and Volume Tables	37-39
Table 5: LPS Single Acting + Manual Override JS: Dimensional, Weight and Volume Tables	41-43
Table 6: LPS Double Acting + Manual Override JS: Dimensional, Weight and Volume Tables	45
Table 7: LPS Single Acting + Manual Override HP: Dimensional, Weight and Volume Tables	47-57
Table 8: LPS Double Acting + Manual Override HP: Dimensional, Weight and Volume Tables	59-61

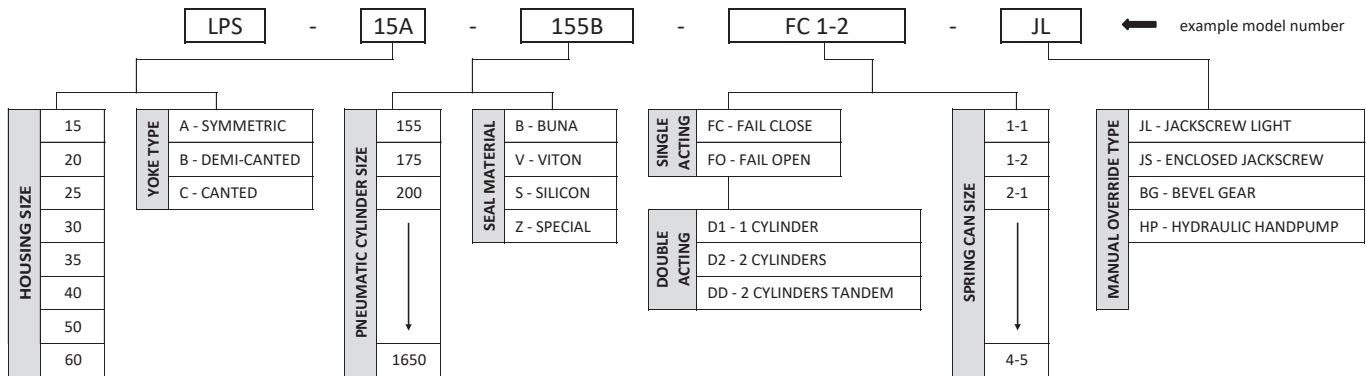
LPS Series Heavy-Duty Actuator Specifications

1. The LPS range of Limitorque pneumatic actuators is a robust, modular scotch yoke design, available in both spring return and double-acting configurations. It is suitable for actuating ball, butterfly and plug valves or any other quarter-turn application.
2. LPS pneumatic actuators deliver up to 550 kNm* (405 659 ft-lb) of precisely controlled torque.
3. LPS actuators are complemented by a comprehensive range of accessories, such as switchboxes, positioners, ESD and PST functions, custom control panels, fire protection, manual and hydraulic overrides, dampening systems for fast acting applications. The Limitorque engineering team can also design custom solutions for the largest and most complex customer requirements.
4. Limitorque provides engineering design services for mounting hardware, ensuring that your actuation solution is ready to handle the toughest challenges.
5. The LPS actuator is designed to provide a 25-year design life, depending on service conditions, proper installation, operation and maintenance. In order to achieve this industry-leading design life, in-field maintenance is prescribed to be performed every six years of operation. For high-cycle applications, such as control valve operation, more frequent maintenance of replaceable wear surfaces, as outlined in **EN 15714**, may be required.
6. Suitable for use in on/off, modulating and control valve application in general service, protective service and safety applications such as ESD or HIPPS.
7. Available valve interface in compliance with **ISO 5211** or alternatively with **MSS SP-101** as an option, upon request.
8. Manufactured and tested in compliance with **EN 15714-3** and **ISO 12490**, **API 6DX** and **API6A** as options.
9. Spring components are designed in compliance with **EN 13906-1**.
10. Surface coating and corrosion protection in compliance with **ISO 12944-2:2018** up to and including **CX** if requested.
11. Environmental resistance has been certified to meet or exceed the requirements of **IEC 60529** up to and including **IP-67M** and **NEMA Standard 250 grade 4X**.
12. The LPS actuator is suitable for use in Safety Integrated Systems in accordance with **IEC 61508** up to and including **SIL Level 3**.
13. Actuator accessories of LPC series meet the requirements of **ISO 5599-2**.
14. LPS actuators are available in accordance with **ATEX 2014/34/EU Ex II 2GD Ex h IIC/IIIC T6 Gb/Db**, as it relates to mechanical actuators.
15. LPS actuators are compliant with **Machinery Directive 2006/42/EC** and are identified as “Partly completed machinery”.
16. Actuators are available in compliance with **NACE specification MR0175** for sour gas applications.
17. Shaft-driven accessories/devices are directly mounted to **VDE VDI 3845 NAMUR** compliant mounting locations, by means of an adaptor available upon request as an option.
18. The actuator is manufactured and tested in compliance with an **ISO 9001** Quality Assurance Program.
19. Integral travel stops provide **90°±5°** of stroke adjustment and are designed for the **MAWP** of the actuator up to **12 barg (174 psig)**.
20. The materials of construction and seals of the LPS family of actuators are available for a wide range of service temperatures, including **tropical, arid, temperate, cold and polar** regions in accordance with **IEC 60721**.
21. The pneumatic cylinder design features proven and reliable external tie rods suitable for continuous duty service at the maximum rated pressure. Wear and corrosion protection of all components is ensured with suitable treatments and coatings. **ENP** (electroless nickel plating) is the standard for the internal surface of the pneumatic cylinder to ensure complete sealing and superior corrosion resistance. Other coatings for the internal surface of the cylinder are available upon request. The LPS actuator cylinders are capable of being independently tested prior to assembly.
22. Special Cylinder versions with protect tied rods or with external protective chamber are available upon request for offshore applications.
23. Pressure modules are available in compliance with:
 - a. **Pressure Equipment Directive 2014/68/EU**
 - b. **ASME BPVC Sec. VIII, Div. 1**
 - c. **EN 13445-3, Part 3 for Unfired Pressure Vessels**
24. All actuators and modules meet acceptance criteria defined by Flowserve test specifications.
25. The actuator is provided with two full-length key slots in the yoke suitable for mounting in alternate orientations (horizontally or vertically – parallel or perpendicular to the piping system).

*Contact factory for larger sizes and higher output torques

26. The LPS is available with either a symmetric or canted scotch yoke. Scotch yoke cants are available from 1° to 15° upon request, depending on application.
27. All modules align and mate with close-tolerance machined flanges with no exposed threaded connections.
28. The high-strength, heat-treated alloy steel guide bar is hard chrome plated for wear and corrosion protection.
29. Piston rods are designed to handle lateral loads to effectively minimize deflection. The piston rod is detachable from the torque module without special tools and does not require module disassembly.
30. Pressure seals utilize O-rings, quad-rings or V-rings as appropriate to eliminate environmental ingress. No gaskets are used in pressurized regions of the actuator.
31. The push-to-compress springs are safely enclosed and welded and are positively retained on the torque module under all load conditions. No external tie rods/braces are required to contain the springs. Springs are combined and positioned to eliminate potential contact with the container or each other in the case of multiple springs. Springs are shot peened for maximum life and are painted and permanently lubricated coated prior to assembly to eliminate corrosion.
32. The spring and spring guide are self-centered and bushing guided within the spring module. The spring rod is guided in a self-lubricating bushing and connected to the torque module through a large pinned connection designed for safe operation at all load conditions. Installation and removal of the spring module does not require special tools.
33. Maintenance-free, self-lubricating bushings are used to minimize friction of the yoke, yoke pins and slider blocks in the yoke slots for low friction and to minimize contact stresses in order to provide the longest possible service life.
34. Retention of the yoke pin is by a single plate to permit easy removal of the yoke pin and slider blocks while the actuator is mounted in the valve. No specialized tools are required.

Actuator Selection Table



Seals Material

Code	Material	Temperature Range	Climate Classification according to IEC60721
B	Buna	Std Temp: -29°C to +100°C (-20°F to 212°F)	Tropical & Arid
V	Viton®	Hi Temp: up to +160°C (320°F)	
S	Silicon	Low Temp: down to -40°C (-40°F)	Temperate
Z	Other	Special Applications: Consult Factory	Cold & Polar

Actuator Selection Table

Model	Maximum Operating Torque	Maximum Operating Pressure	Maximum Allowable Working Pressure
LPS-15	6000 (4425)	Variable for every cylinder size	12 (174)
LPS-20	12 000 (8850)		
LPS-25	21 000 (15 489)		
LPS-30	40 500 (29 871)		
LPS-35	75 000 (55 317)		
LPS-40	150 000 (110 634)		
LPS-50	300 000 (221 268)		
LPS-60	550 000 (405 659)	Consult Factory	
LPS-XX	Consult Factory		

Actuator Selection Guidance

1. Scope

This section provides guidance for the selection of the proper LPS actuator to suit specific operational requirements. A basic understanding of scotch yoke actuators and the typical applications in which they are used is provided in order to assist in selection of the most suitable actuator. While the selection procedures and product data contained herein cover

many applications, due to the wide range of applications in which the LPS actuators can be used, this information will not cover every set of operational requirements. The Limitorque applications team is always available to assess specific applications and help with selection of the appropriate LPS actuators. Please contact your local office for assistance.

2. General Definitions/Terms Used

Quarter-turn	A device that rotates by a nominal 90°. LPS series actuators rotate $\pm 5^\circ$ more than the nominal 90°.
Position	The degree of rotation describing an actuator's current location, the zero being referred from complete counter-clockwise position of the yoke. The mid-position of the actuator is at 45° and 90° being the end of clockwise stroke.
CW	Clockwise rotation.
CCW	Counter-clockwise rotation.
Stroke	A continuous, 90° rotation of a quarter-turn actuator.
Cycle	Two strokes, one clockwise (CW) rotation and other counter-clockwise (CCW) rotation, constitute one cycle of operation of the actuator.
Safety Factor	A factor multiplied by the valve's basic required torque value to increase the amount of torque required to meet safety requirements in a given application. When the valve's torque requirements are not known with certainty, or due to other application demands, use of a safety factor is required in the selection process in order to meet the worst-case torque requirements.
Pneumatic Break Torque	Output torque when the actuator is in the position to start the pressure stroke. (The torque required to initiate the pressure stroke.)
Pneumatic End Torque	Output torque at the end limit of the pressure stroke. (The torque required to seat the valve at the end of the pressure stroke.)
Run Torque	The output torque recorded while the actuator is in the mid-position of the pressure stroke (45°). For symmetrical yoke double-acting actuators, this is the minimum torque output obtained during the complete stroke.
Spring Break Torque	The output torque when the actuator is in the position to start the spring stroke. (The torque required to initiate the spring stroke.) The spring is fully compressed at this position and generates the maximum spring force.
Spring End Torque	The output torque when the actuator has reached the end limit of spring stroke. (The torque required to seat the valve at the end of the spring stroke.) The spring is fully extended at this position and generates the minimum spring force.
Minimum Torque	The output torque at an intermediate position of the spring stroke, where the torque output of the actuator is at its lowest value.
MOP	Maximum operating pressure for an actuator.

3. Inputs for Sizing Pneumatic Scotch Yoke Actuators

Due to the scotch yoke mechanism, LPS actuators have a particular U-shaped output torque curve that is powered by either a fixed supply pressure or the spring. For a proper actuator model selection, the safety factors between actuator output torque and valve torque requirement shall be calculated at least in six points along the valve stroke. In addition, a final check is necessary to guarantee that actuator Maximum Output Torque does not exceed valve Maximum Allowable Stem Torque (MAST).

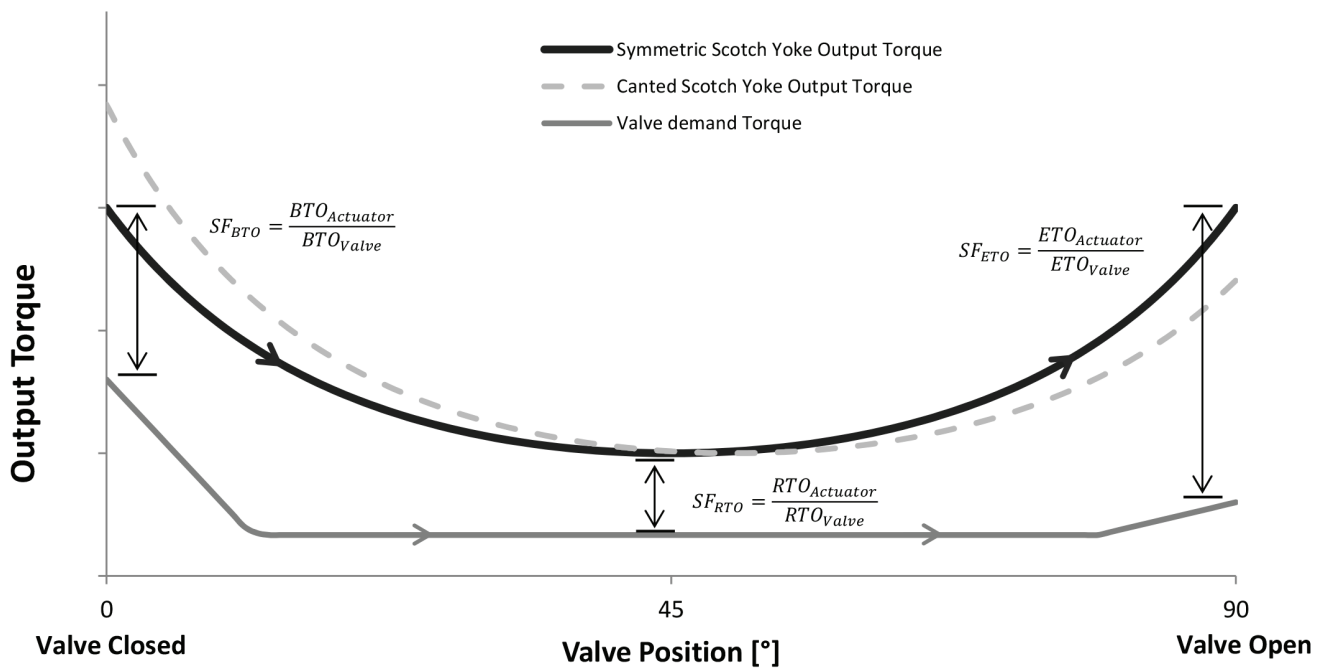


Figure 1: Example of Actuator OPEN (by instr. air) Torque Curve: Double Acting Actuator

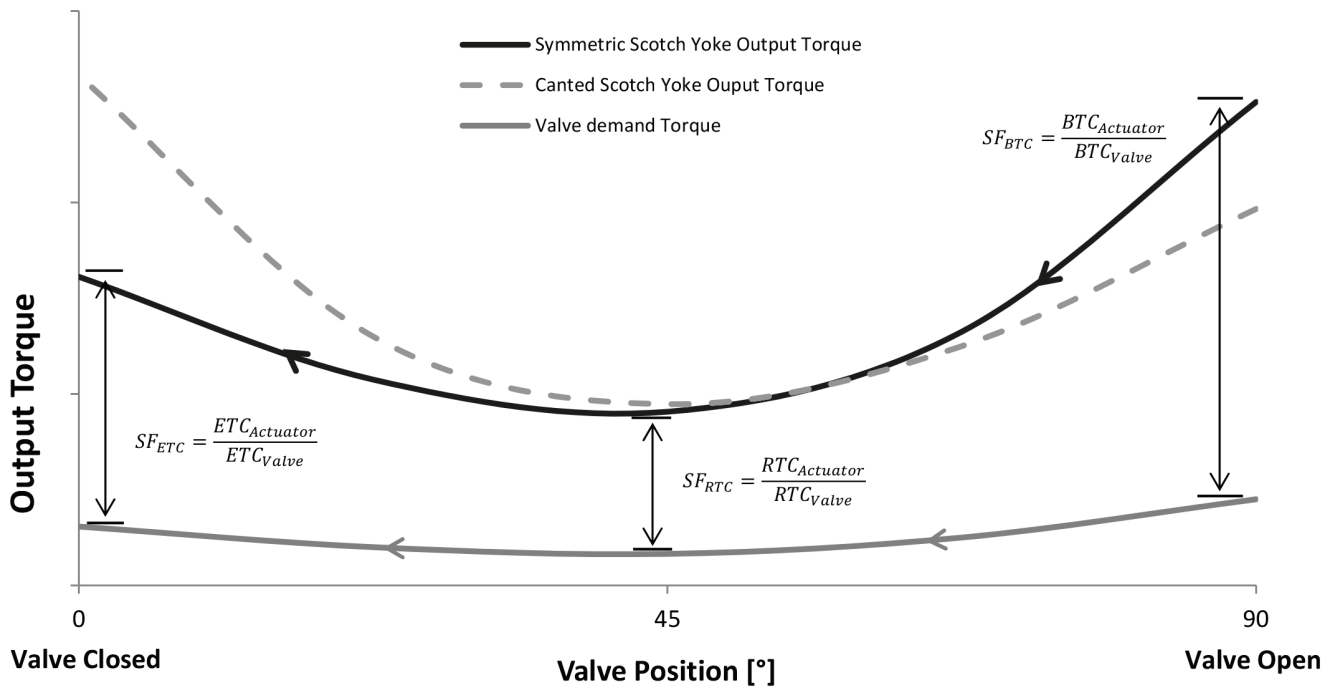


Figure 2: Example of Actuator CLOSE (by spring) Torque Curve: Single Acting Spring Return - Fail Close (CW)

Note: Detailed Output Torque graphs covering the full valve stroke for both Single Acting Fail Open (CCW) and Double Acting actuators are available upon request.

The minimum set of parameters and features necessary for an optimized actuator selection:

- Valve torques, or at least the unseating torque (BTO), and valve MAST
- Type of actuator:
 - Single Acting/Spring Return: Fail Safe Close (CW) or Fail Safe Open (CCW)
 - Double Acting configuration for Fail Last or Fail As Is
 - Minimum, Normal and Maximum Pneumatic Supply Pressure to the actuator
 - Safety Factors requested by the project or by a specific application
 - Working Temperature range
 - Open/Close stroking times
 - Additional options (manual override, control panel, limit switch box, positioner)

Definitions:

- BTO = Break to Open torque
- BTC = Break to Close torque
- RTO = Running to Open torque
- RTC = Running to Close torque
- ETO = End to Open torque
- ETC = End to Close torque
- MAST = Maximum Allowable Stem Torque
- SF = Safety Factor

Examples of LPS Actuator Sizing

1st Application

A customer would like to use an LPS actuator to automate a ball valve in an Oil & Gas process. For this reason, he wishes to perform a preliminary sizing, and he has at disposal the following information:

- Torques required by the valve during the opening/closing strokes, when installed in process at customer plant:
 - **BTO = 7300 Nm, RTO = 4050 Nm, ETO = 7250 Nm,**
 - **BTC = 7350 Nm, RTC = 4100 Nm, ETC = 7400 Nm,**
- He would like to automate the valve by means of a **Double-Acting** LPS actuator for on-off service.
- He would like the actuator's torques to be higher than valve torques with a **Safety Factor SF = 1,25**.
- The available air supply pressure for the actuator is **4 barg** minimum.
- The actuator will be installed in an **onshore environment**, with **temperatures** in standard range. No requirements for fast **stroking times** are present.

Sizing Procedure:

Step 1. Determine the minimum torques that the actuator must generate, considering required Safety Factor. For this purpose, multiply the valve required torques by SF = 1,25.

- **BTO = 7300 x 1.25 = 9125 Nm, RTO = 4050 x 1.25 = 5063 Nm, ETO = 7250 x 1.25 = 9062 Nm,**
- **BTC = 7350 x 1.25 = 9187 Nm, RTC = 4100 x 1.25 = 5125 Nm, ETC = 7400 x 1.25 = 9250 Nm,**

Step 2. Select a Double Acting LPS actuator from Torque Charts reported in this document. Torque outputs at 0°, 45° and 90°, with 4 barg supply pressure, must meet or exceed the torque requirements, defined at previous point, for both opening and closing strokes.

To this end, Consult Double Acting actuators Torque charts, in particular the columns dedicated to 4 barg supply pressure, for OPEN and CLOSE strokes. We find several suitable models, but the model that better fits torque requirements, without excessively exceeding them (causing possible problems to valve stem) is the following one: LPS-20A-485X-D1 (see image on page 11).

In fact:

- **BTO = 9415 (> 9125) Nm, RTO = 5291 (>5063) Nm, ETO = 9983 (>9062) Nm,**
- **BTC = 9366 (>9187) Nm, RTC = 5263 (>5125) Nm, ETC = 9931 (>9250) Nm,**

Limitorque™ LPS Series Actuator

Actuator Model		barg (PSIG)		barg (PSIG)		barg (PSIG)		barg (PSIG)		barg (PSIG)	
		2.5 (36)		3 (44)		3.5 (5.1)		4 (58)		4.5 (65)	
		OPEN Nm (lb-ft)	CLOSE Nm (lb-ft)	OPEN Nm (lb-ft)	CLOSE Nm (lb-ft)	OPEN Nm (lb-ft)	CLOSE Nm (lb-ft)	OPEN Nm (lb-ft)	CLOSE Nm (lb-ft)	OPEN Nm (lb-ft)	CLOSE Nm (lb-ft)
LPS-15C-360X-D1	end	1727 (1274)	3414 (2518)	2074 (1530)	4102 (3025)	2422 (1786)	4789 (3532)				
	start	3710 (2736)	1980 (1460)	4456 (3287)	2379 (1755)						
	run	1963 (1441)	1349 (995)	1637 (1207)	1621 (1196)						
LPS-15C-385X-D1	end	1994 (1471)	3947 (2911)	2396 (1767)	4742 (3498)						
	start	4243 (3129)	2267 (1672)								
	run	1559 (1150)	1545 (1140)								
LPS-20A-335X-D1	end	2281 (1682)	4519 (3333)								
	start	2801 (2066)	2770 (2043)	3365 (2482)	3328 (2455)	3928 (2897)	3885 (2865)	4492 (3313)	4443 (3277)	5056 (3729)	5000 (3688)
	run	1574 (1161)	1557 (1148)	1891 (1395)	1870 (1379)	2208 (1629)	2183 (1610)	2524 (1862)	2497 (1842)	2841 (2095)	2810 (2073)
LPS-20A-360X-D1	end	2970 (2191)	2937 (2166)	3568 (2632)	3528 (2602)	4165 (3072)	4120 (3039)	4763 (3513)	4711 (3475)	5360 (3953)	5302 (3911)
	start	3235 (2386)	3204 (2363)	3886 (2866)	3849 (2839)	4537 (3346)	4494 (3315)	5188 (3826)	5138 (3790)	5838 (4306)	5783 (4265)
	run	1818 (1341)	1801 (1328)	2184 (1611)	2163 (1595)	2549 (1880)	2525 (1862)	2915 (2150)	2888 (2130)	3281 (2420)	3250 (2397)
LPS-20A-385X-D1	end	3430 (2530)	3397 (2505)	4120 (3039)	4081 (3010)	4810 (3548)	4764 (3514)	5500 (4057)	5448 (4018)	6190 (4566)	6132 (4523)
	start	3700 (2729)	3669 (2706)	4444 (3278)	4407 (3250)	5189 (3827)	5146 (3795)	5933 (4376)	5884 (4340)	6677 (4925)	6622 (4884)
	run	2079 (1533)	2062 (1521)	2497 (1842)	2477 (1827)	2916 (2151)	2892 (2133)	3334 (2459)	3306 (2438)	3752 (2767)	3721 (2744)
LPS-20A-435X-D1	end	3923 (2893)	3890 (2869)	4712 (3475)	4673 (3447)	5501 (4057)	5456 (4024)	6291 (4640)	6238 (4601)	7080 (5222)	7021 (5178)
	start	4723 (3484)	4692 (3461)	5673 (4184)	5636 (4157)	6624 (4886)	6581 (4854)	7574 (5586)	7525 (5550)	8524 (6287)	8469 (6246)
	run	2654 (1957)	2637 (1945)	3188 (2351)	3168 (2337)	3722 (2745)	3698 (2728)	4256 (3139)	4229 (3119)	4790 (3533)	4759 (3510)
LPS-20A-485X-D1	end	5008 (3694)	4975 (3669)	6015 (4436)	5976 (4408)	7023 (5180)	6977 (5146)	8031 (5923)	7978 (5884)	9038 (6666)	8980 (6623)
	start	5871 (4330)	5840 (4307)	7053 (5202)	7016 (5175)	8234 (6073)	8191 (6041)	9415 (6944)	9366 (6908)		
	run	3299 (2433)	3282 (2421)	3963 (2923)	3942 (2907)	4627 (3413)	4603 (3395)	5291 (3902)	5263 (3882)		
LPS-20C-335X-D1	end	6225 (4591)	6192 (4567)	7478 (5515)	7438 (5486)	8730 (6439)	8685 (6406)	9983 (7353)	9931 (7325)		
	start	4249 (3134)	2259 (1666)	5104 (3765)	2714 (2002)	5958 (4394)	3168 (2337)	6813 (5025)	3623 (2672)	7668 (5656)	4077 (3007)
	run	1561 (1151)	1539 (1135)	1875 (1383)	1849 (1364)	2189 (1615)	2158 (1592)	2503 (1846)	2468 (1820)	2817 (2078)	2778 (2049)
LPS-20C-360X-D1	end	2284 (1685)	4503 (3321)	2744 (2024)	5409 (3989)	3203 (2362)	6315 (4658)	3663 (2702)	7221 (5326)	4122 (3040)	8127 (5994)
	start	4906 (3618)	2613 (1927)	5894 (4347)	3138 (2314)	6881 (5075)	3664 (2702)	7868 (5803)	4190 (3090)	8855 (6531)	4715 (3478)
	run	1802 (1329)	1780 (1313)	2165 (1597)	2138 (1577)	2528 (1865)	2496 (1841)	2890 (2132)	2854 (2105)	3253 (2399)	3213 (2370)
LPS-20C-385X-D1	end	2638 (1946)	5207 (3840)	3168 (2337)	6255 (4613)	3699 (2728)	7303 (5386)	4230 (3120)	8351 (6159)	4760 (3511)	9399 (6932)
	start	5612 (4139)	2992 (2207)	6741 (4972)	3594 (2651)	7870 (5805)	4196 (3095)	8999 (6637)	4798 (3539)	10128 (7470)	5400 (3983)
	run	2061 (1520)	2038 (1503)	2476 (1826)	2448 (1806)	2891 (2132)	2858 (2108)	3306 (2438)	3269 (2411)	3720 (2744)	3679 (2713)
LPS-20C-435X-D1	end	3017 (2225)	5963 (4398)	3624 (2673)	7163 (5283)	4231 (3121)	8363 (6168)	4838 (3568)	9562 (7053)	5445 (4016)	10762 (7938)

step 2

To conclude the definition of the model for the current application, you could now contact Flowserve Sales Team, for having a check about the correct actuator code to be chosen, in accordance with the additional requirements (onshore environment, standard temperature range) and to check the model suitability to required stroking times (Cylinder Ports sizing).

2nd Application

A Valve maker would like to use a LPS actuator to automate a butterfly valve belonging to its product portfolio. For this reason, he wishes to perform a preliminary sizing, according to the following requirements:

- Torques required by the valve during OPEN/CLOSE strokes, **comprising a proper safety factor (SF)**, when installed for a specific process:
 - **BTO = 19100 Nm, RTO = 8800 Nm, ETO = 13200 Nm,**
 - **BTC = 15000 Nm, RTC = 6400 Nm, ETC = 9100 Nm,**
- He would like to automate the valve by means of a **Single-Acting fail close** LPS actuator for on-off service.
- The available air supply pressure for the actuator varies in a range from **4.5 barg** minimum to **7 barg** maximum.
- The actuator will be installed in an **onshore environment**, with **low temperatures** reaching up to -40 °C. No requirements for fast **stroking times**.
- He would like then to check not to exceed the Valve **MAST = 40000 Nm** (MAST = Maximum Allowable Stem Torque), when actuator is fed by maximum supply pressure.

Sizing Procedure:

Select a Single-Acting LPS actuator from Torque Charts reported in this document. Actuator outputs during the strokes 0° - 90° (torque generated by pressure) and 90° - 0° (torque generated by spring) must always meet or exceed the required valve torques. As a general rule, we need to choose a model satisfying required torques considering minimum supply pressure, equal to 4.5 barg.

Step 1. Check the Single Acting Fail Close actuators charts, in particular the column dedicated to Spring Torque, and search for a model satisfying BTC, RTC, ETC. We find several suitable spring modules, and we will choose the model that fits spring torque requirements, but also air torque requirements, according to next point.

Step 2. Now define the model that best fits air torques, remembering to choose only among the rows satisfying spring torques also. For this purpose, only considering the rows defined at previous point, refer to the column dedicated to 4,5 barg. We find several suitable models, but the one that better fits torque requirements, is the following one: **LPS-30A-635X-FC4-2** (see image on page 13).

In fact:

- **BTO = 19512 (> 19100) Nm, RTO = 8994 (>8800) Nm, ETO = 13359 (>13200) Nm,**
- **BTC = 15072 (>15000) Nm, RTC = 6666 (>6400) Nm, ETC = 9350 (>9100) Nm,**

Step 3. Now let's check that actuators torques, at maximum supply pressure of 7 barg, never exceed Valve MAST. From the column dedicated to air Torque at 7 barg, we find that:

BTO = 35774 (< 40000) Nm, RTO = 18161 (< 40000) Nm, ETO = 30601 (< 40000) Nm,

It is therefore confirmed that the selected model won't create problems to valve stem and is then the best model to be used for automating the valve.

Limitorque™ LPS Series Actuator

Actuator Model	Spring Torque	METRIC/IMPERIAL TORQUE TABLE																			
		barg (PSIG)		barg (PSIG)		barg (PSIG)		barg (PSIG)		barg (PSIG)		barg (PSIG)									
		2.5 (36)		3 (44)		3.5 (51)		4 (58)		4.5 (65)		5 (73)		5.5 (80)		6 (87)		7 (102)		9 (131)	
Output Torque Nm (ft-lb) @ supply pressure barg (PSIG)																					
	Nm (ft-lb)	Nm (ft-lb)	Nm (ft-lb)	Nm (ft-lb)	Nm (ft-lb)	Nm (ft-lb)	Nm (ft-lb)	Nm (ft-lb)	Nm (ft-lb)	Nm (ft-lb)	Nm (ft-lb)	Nm (ft-lb)	Nm (ft-lb)	Nm (ft-lb)	Nm (ft-lb)	Nm (ft-lb)	Nm (ft-lb)	Nm (ft-lb)	Nm (ft-lb)	Nm (ft-lb)	Nm (ft-lb)
LPS-30A-535X-FC2-3	start 13499 (9956) run 5642 (4161) end 7298 (5383)			8407 (6201) 1161 (856)	10716 (7904) 3609 (2662)	13025 (9607) 5123 (3779)	15333 (11309) 6476 (4776)	17642 (13012) 7805 (5757)	19951 (14715) 9122 (6728)	22456 (16559) 10953 (8079)	24568 (18120) 11739 (8658)	26680 (19682) 13400 (9883)	28792 (21384) 18296 (13494)	30904 (22832) 25069 (18490)	33016 (24324)	35128 (25816)	37240 (27308)	39352 (28800)	41464 (30292)	43576 (31784)	45688 (33276)
LPS-30A-585X-FC2-3	start 1354 (1004) run 567 (399) end 736 (531)		8873 (6544) 1655 (1221)	11633 (8580) 4281 (3157)	14393 (10616) 5929 (4373)	17154 (12652) 7525 (5550)	19914 (14688) 9102 (6713)	22675 (16724) 10668 (7868)	25435 (18760) 12229 (9020)	28196 (20808) 13362 (9855)	30956 (22832) 16288 (12013)	33717 (24780) 19215 (14172)	36478 (26752) 25069 (18490)	39239 (28724)	42000 (30696)	44761 (32668)	47522 (34640)	50283 (36612)	53044 (38584)	55805 (40556)	58566 (42528)
LPS-30A-635X-FC2-3	start 1356 (1003) run 567 (388) end 736 (532)	8571 (6322) 1335 (985)	11824 (8721) 4399 (3245)	15076 (11119) 6327 (4667)	18329 (13519) 8198 (6047)	21581 (15917) 1558 (1159)	24834 (18317) 10048 (7411)	28086 (20715) 11889 (8769)	31338 (23114) 13724 (10122)	34590 (25512) 22026 (16246)	37842 (27910) 25474 (18789)	41094 (30308)	44346 (32706)	47598 (35104)	50850 (37502)	54102 (39900)	57354 (42298)	60606 (44696)	63858 (47094)	67110 (49492)	70362 (51890)
LPS-30A-685X-FC2-3	start 1356 (1002) run 567 (388) end 736 (531)	11232 (8284) 4030 (2972)	15017 (11076) 6292 (4641)	18802 (13868) 8468 (6246)	22586 (16659) 10618 (7831)	26371 (19450) 202 (3905)	30156 (22242) 12 (410)	33941 (25034) 14890 (10982)	37726 (27920) 17019 (12553)	41511 (30412) 24221 (17864)	45296 (33304) 28234 (20824)	49081 (35796)	52866 (38688)	56651 (41580)	60436 (44472)	64221 (47364)	68006 (50256)	71791 (53148)	75576 (56040)	79361 (58932)	83146 (61824)
LPS-30A-535X-FC4-2	start 15009 (11070) run 6630 (4890) end 9283 (6847)				8647 (6378) 1839 (1356)	10 (080) 40 (966)	13264 (9783) 5405 (3987)	15573 (11486) 6744 (4974)	17882 (13189) 8066 (5949)	20191 (14902) 9183 (6773)	22500 (16615) 11631 (8579)	24809 (18228) 1652 (89)	27118 (19941) 288 (15)	29427 (21754) 14290 (10540)	31736 (23406) 15891 (11721)	34045 (25119) 26318 (19411)	36354 (26832)	38663 (28545)	40972 (30258)	43281 (31971)	45590 (33684)
LPS-30A-585X-FC4-2	start 15073 (11117) run 6667 (4917) end 9351 (6897)			9564 (7054) 2811 (2073)	12324 (9090) 4850 (3577)	15125 (11125) 6400 (4767)	17926 (13126) 11592 (8550)	20727 (15327) 17845 (13162)	23528 (17328) 20605 (15197)	26329 (19428) 14518 (10708)	29130 (21528) 15177 (8244)	31931 (23528) 14290 (10540)	34732 (25528) 17445 (12867)	37533 (27532) 23299 (17184)	40334 (29536)	43135 (31540)	45936 (33544)	48737 (35548)	51538 (37552)	54339 (39556)	57140 (41560)
LPS-30A-635X-FC4-2	start 15072 (11117) run 6666 (4917) end 9350 (6896)		9754 (7194) 3014 (2223)	13007 (9593) 5254 (3875)	16259 (11992) 7139 (5265)	19512 (14391) 8994 (6634)	22764 (16790) 10837 (7993)	26016 (19188) 12673 (9347)	29269 (21588) 14505 (10698)	32521 (23980) 23704 (17483)	35774 (26386) 18161 (13395)	39027 (28784) 30601 (22570)	42280 (31188)	45533 (33592)	48786 (35996)	52039 (38400)	55292 (40804)	58545 (43208)	61798 (45612)	65051 (48016)	68304 (50420)
LPS-30A-685X-FC4-2	start 15071 (11116) run 6665 (4916) end 9349 (6895)	9163 (6758) 2386 (1760)	12948 (9550) 5219 (3849)	16732 (12341) 7410 (5465)	20517 (15133) 9665 (7055)	24302 (17924) 11706 (8634)	28087 (20716) 13839 (10207)	31872 (23507) 15968 (11777)	35657 (26298) 18095 (13346)	39442 (29090) 26464 (19519)	43227 (31683) 30477 (22479)	47012 (34276)	50797 (36869)	54582 (39462)	58367 (42055)	62152 (44648)	65937 (47241)	69722 (49834)	73507 (52427)	77292 (55020)	81077 (57613)

To conclude the definition of the model for the current application, you could now contact Flowserve Sales Team, for having a check about the correct actuator code to be chosen, in accordance with the additional requirements (onshore installation, -40 °C Low temperatures environment) and to check the model suitability to required stroking times (Cylinder Ports sizing)

IMPORTANT: Disclaimer - these examples are presented for information purposes only, with an effort to ensure the accuracy. Flowserve is not responsible for any incorrect usage of the information contained in this document.

For any doubt or additional information, please refer to Flowserve Limitorque Sales Team. Remember to always give priority to SAFETY.

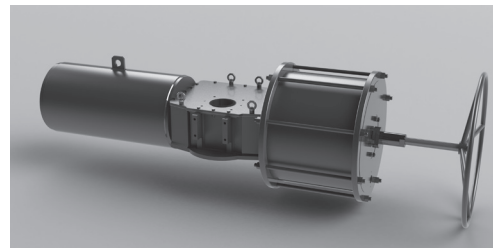
4. LPS Manual Overrides

A full range of Manual Override options are available for LPS pneumatic actuators. Manual overrides are necessary to allow operating valve actuator whenever the motive pressure (e.g., instrument air) and/or the electrical power are not available. LPS manual overrides are designed in accordance with EN 12570 and are available as either Mechanical or Hydraulic types, and for both single acting (spring return) and double acting actuator model.

Suffix	Description	LPS Actuator Model						
		LPS-15	LPS-20	LPS-25	LPS-30	LPS-35	LPS-40	LPS-50
-JL	Jackscrew Light Handwheel	✓	✓	-	-	-	-	-
-JS	Enclosed Jackscrew Handwheel	✓	✓	-	-	-	-	-
-BG	Bevel Gear Handwheel	-	-	✓	✓	-	-	-
-HP	Hydraulic Manual Hand Pump	✓	✓	✓	✓	✓	✓	✓

JS Jackscrew Light

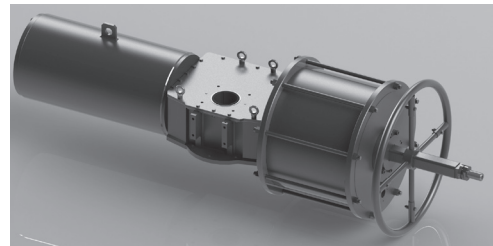
- Simple and economical manual override option
- Direct operating handwheel screwed on the cylinder/housing side
- Rotating and sliding threaded external screw
- Integral and adjustable not-enclosed travel stop
- Handwheel may be optionally replaced by portable wrench
- Special exposed threads coating and special protection suitable for offshore/marine applications, available upon request



LPS Single Acting with -JL

JS Enclosed Jackscrew Handwheel

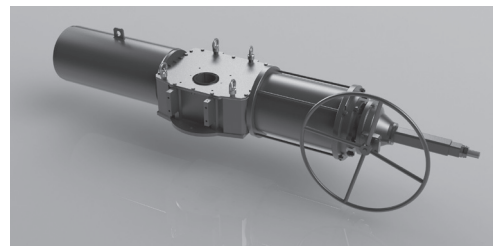
- Design totally enclosed and protected from ambient environment
- Suitable for severe and saline environmental conditions
- Direct operating handwheel screwed on the cylinder/housing side
- Integral and adjustable not-enclosed travel stop; enclosed type as option
- Declutch feature suitable for double acting actuators



LPS Single Acting with -JS

BG Bevel Gear Manual Override

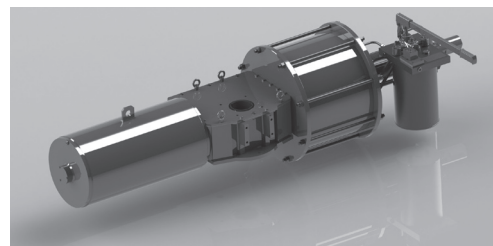
- Bevel gearbox system with manual handwheel
- Handwheel easy frontal access
- Reduction gear to operate large actuators with low efforts
- Integral and adjustable not-enclosed travel stop; enclosed type as option
- No interference with valve top mounting and/or piping layout



LPS Single Acting with -BG

HP Hydraulic Manual Hand Pump

- Low-effort and high thrust/torque override
- Suitable for all model sizes, especially for large actuators
- Power pack with hand-lever-operated, high-pressure pump connected to a hydraulic cylinder
- Self-contained design with minimum number of fittings
- Hydraulic tank with pressure relief and oil level indicator
- Lever manual force according to EN 12570 requirements
- Integral and adjustable enclosed travel stop
- Optional flow regulating valves for a smooth operation



LPS Single Acting with -HP

5. Single Action and Double Action Configurations

The LPS actuator is designed for work in both single acting (fail open and fail close) and double acting configurations:

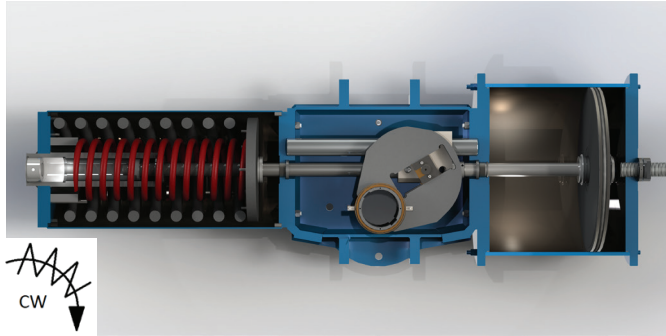


Figure 3: Single Acting Actuator Configuration: Fail Close - Fail Clockwise

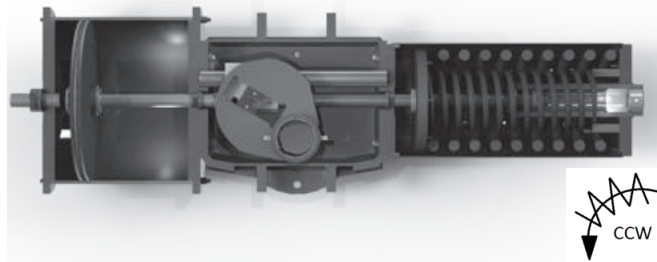


Figure 4: Single Acting Actuator Configuration: Fail Open - Fail Counter Clockwise

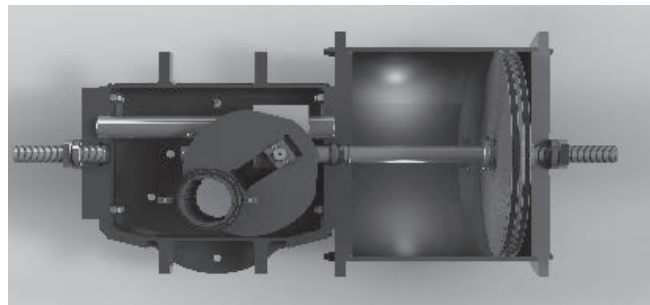


Figure 5: Double Acting Actuator Configuration – Close Position

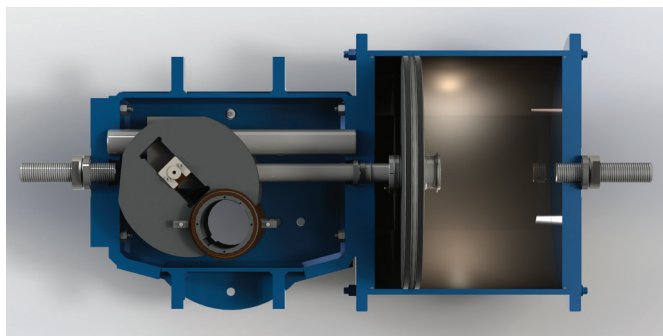


Figure 6: Double Acting Actuator Configuration – Open Position

6. Performance Data

Torques reported in following tables concern a selection of most common actuator models. The model range comprises many more models, in addition to the ones reported here.

Furthermore, Flowserve technicians remain at full disposal to size special models that can be suitable to the majority of valve types and sizes.

The following tables are then a valid support, but if you do not find models meeting your needs, please feel free to contact Limitorque Flowserve Application Engineers or local Sales Support, who will help in finding models meeting your needs.

Note: Provided performance data may be subject to variations due to continuous improvement of LPS products. For latest data, please contact Flowserve and/or refer to technical documentation transmitted along with the quotes or job documentation.

7. Dimensions

The following dimensions and weight tables include main external dimensions referred to the relevant pictures included in each section. The overall lengths, weights, mounting dimension details, interface dimensions and tolerances are included as a guide for actuator selection.

The stated dimensions and weights include the actuators without any optional features, like the spool pieces, manual overrides, control panels, etc.

8. Disclaimer

This publication is presented for informational purposes only, with an effort to ensure the accuracy. The contents are not to be construed as warranties or guarantees, expressed or implied, regarding the products or services described here or in their use or applicability. The right to modify or improve the designs or specifications of our products at any time without notice is reserved.

LPS Single Acting: Dimensional, Weight and Volume Tables

Figure 7: Fail Close (FC) Configuration

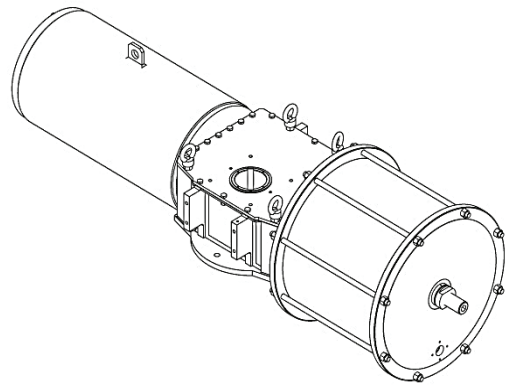
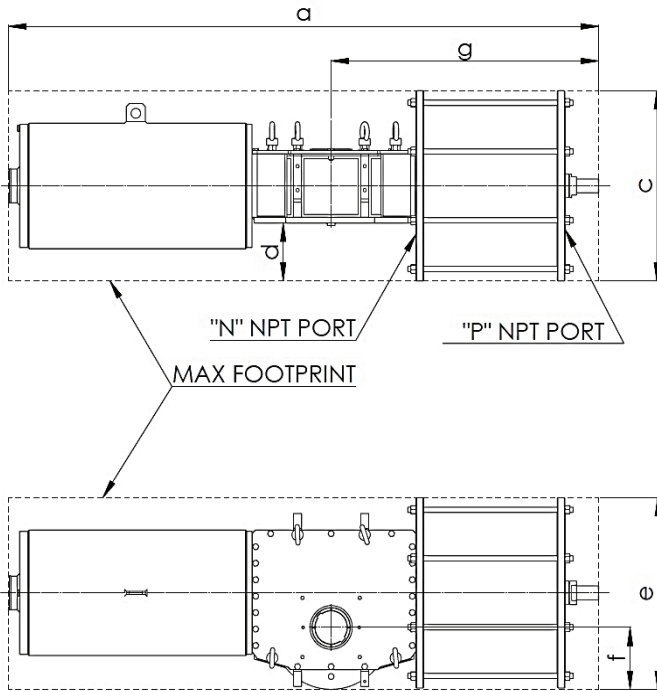


Figure 8: Fail Open (FO) Configuration

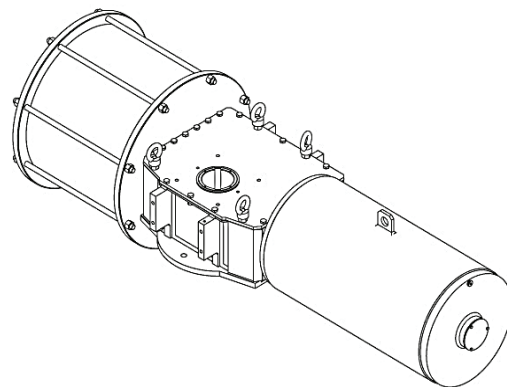
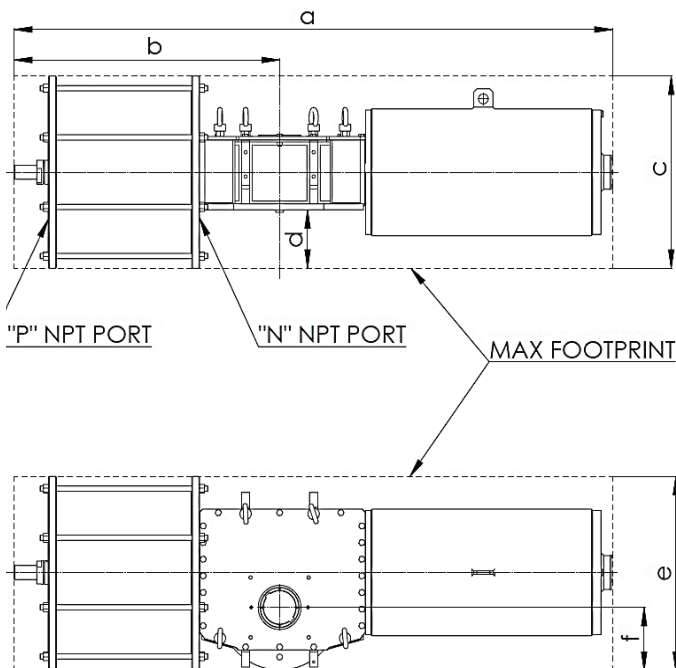


Table 1: LPS Single Acting: Dimensional, Weight and Volume Tables

LPS Single Acting - Dimensions: mm (in) - Weights: Kg (lbs) - Swept Volumes: l (cu in) - MOT: Nm (ft-lb)													
Model		a*	b*	c	d	e	f	g*	"P" NPT PORT	"N" NPT PORT	Weight	Swept Volume*	MOT
LPS-15X-255Y-FC2-1	LPS-15X-255Y-F02-1	1247	541	384	66	352	120	551	1/2"	1/2"	200	9.2	6000
		49.1	21.3	15.1	2.6	13.9	4.7	21.7			441	561	4425
LPS-15X-285Y-FC2-1	LPS-15X-285Y-F02-1	1247	541	406	88	369	120	551	1/2"	1/2"	219	11.6	6000
		49.1	21.3	16.0	3.5	14.5	4.7	21.7			483	708	4425
LPS-15X-300Y-FC2-1	LPS-15X-300Y-F02-1	1252	546	415	98	386	128	556	1"	1/2"	229	12.8	6000
		49.3	21.5	16.3	3.8	15.2	5.0	21.9			505	781	4425
LPS-15X-335Y-FC2-1	LPS-15X-335Y-F02-1	1252	546	430	112	415	143	556	1"	1/2"	249	16	6000
		49.3	21.5	16.9	4.4	16.3	5.6	21.9			549	976	4425
LPS-15X-360Y-FC2-1	LPS-15X-360Y-F02-1	1252	546	444	126	443	157	556	1"	1/2"	266	18.4	6000
		49.3	21.5	17.5	5.0	17.4	6.2	21.9			586	1123	4425
LPS-15X-385Y-FC2-1	LPS-15X-385Y-F02-1	1252	546	469	139	469	170	556	1"	1/2"	280	21.1	6000
		49.3	21.5	18.5	5.5	18.5	6.7	21.9			617	1288	4425
LPS-15X-255Y-FC3-1	LPS-15X-255Y-F03-1	1247	541	384	66	352	120	551	1/2"	1/2"	197	9.2	6000
		49.1	21.3	15.1	2.6	13.9	4.7	21.7			434	561	4425
LPS-15X-285Y-FC3-1	LPS-15X-285Y-F03-1	1247	541	406	88	369	120	551	1/2"	1/2"	220	11.6	6000
		49.1	21.3	16.0	3.5	14.5	4.7	21.7			485	708	4425
LPS-15X-300Y-FC3-1	LPS-15X-300Y-F03-1	1252	546	415	98	386	128	556	1"	1/2"	230	12.8	6000
		49.3	21.5	16.3	3.8	15.2	5.0	21.9			507	781	4425
LPS-15X-335Y-FC3-1	LPS-15X-335Y-F03-1	1252	546	430	112	415	143	556	1"	1/2"	250	16	6000
		49.3	21.5	16.9	4.4	16.3	5.6	21.9			551	976	4425
LPS-15X-360Y-FC3-1	LPS-15X-360Y-F03-1	1252	546	444	126	443	157	556	1"	1/2"	267	18.4	6000
		49.3	21.5	17.5	5.0	17.4	6.2	21.9			589	1123	4425
LPS-15X-385Y-FC3-1	LPS-15X-385Y-F03-1	1252	546	469	139	469	170	556	1"	1/2"	281	21.1	6000
		49.3	21.5	18.5	5.5	18.5	6.7	21.9			619	1288	4425
LPS-15X-255Y-FC3-3	LPS-15X-255Y-F03-3	1247	541	384	66	352	120	551	1/2"	1/2"	215	9.2	6000
		49.1	21.3	15.1	2.6	13.9	4.7	21.7			474	561	4425
LPS-15X-285Y-FC3-3	LPS-15X-285Y-F03-3	1247	541	406	88	369	120	551	1/2"	1/2"	234	11.6	6000
		49.1	21.3	16.0	3.5	14.5	4.7	21.7			516	708	4425
LPS-15X-300Y-FC3-3	LPS-15X-300Y-F03-3	1252	546	415	98	386	128	556	1"	1/2"	244	12.8	6000
		49.3	21.5	16.3	3.8	15.2	5.0	21.9			538	781	4425
LPS-15X-335Y-FC3-3	LPS-15X-335Y-F03-3	1252	546	430	112	415	143	556	1"	1/2"	264	16	6000
		49.3	21.5	16.9	4.4	16.3	5.6	21.9			582	976	4425
LPS-15X-360Y-FC3-3	LPS-15X-360Y-F03-3	1252	546	444	126	443	157	556	1"	1/2"	281	18.4	6000
		49.3	21.5	17.5	5.0	17.4	6.2	21.9			619	1123	4425
LPS-15X-385Y-FC3-3	LPS-15X-385Y-F03-3	1252	546	469	139	469	170	556	1"	1/2"	295	21.1	6000
		49.3	21.5	18.5	5.5	18.5	6.7	21.9			650	1288	4425
LPS-20X-335Y-FC2-2	LPS-20X-335Y-F02-2	1574	683	430	109	444	150	686	1"	1/2"	323	20.4	12000
		62.0	26.9	16.9	4.3	17.5	5.9	27.0			712	1245	8851
LPS-20X-360Y-FC2-2	LPS-20X-360Y-F02-2	1574	683	444	123	457	150	686	1"	1/2"	340	23.6	12000
		62.0	26.9	17.5	4.8	18.0	5.9	27.0			750	1440	8851
LPS-20X-385Y-FC2-2	LPS-20X-385Y-F02-2	1574	683	469	136	470	150	686	1"	1/2"	355	27	12000
		62.0	26.9	18.5	5.3	18.5	5.9	27.0			783	1648	8851
LPS-20X-435Y-FC2-2	LPS-20X-435Y-F02-2	1574	683	526	164	526	178	686	1"	1"	405	34.4	12000
		62.0	26.9	20.7	6.5	20.7	7.0	27.0			893	2099	8851

Limitorque™ LPS Series Actuator

LPS Single Acting - Dimensions: mm (in) - Weights: Kg (lbs) - Swept Volumes: l (cu in) - MOT: Nm (ft-lb)													
Model		a*	b*	c	d	e	f	g*	"P" NPT PORT	"N" NPT PORT	Weight	Swept Volume*	MOT
LPS-20X-485Y-FC2-2	LPS-20X-485Y-F02-2	1574	683	578	190	578	204	686	1"	1"	466	42.8	12000
		62.0	26.9	22.8	7.5	22.8	8.0	27.0			1027	2612	8851
LPS-20X-335Y-FC2-3	LPS-20X-335Y-F02-3	1574	683	430	109	444	150	686	1"	1/2"	338	20.4	12000
		62.0	26.9	16.9	4.3	17.5	5.9	27.0			745	1245	8851
LPS-20X-360Y-FC2-3	LPS-20X-360Y-F02-3	1574	683	444	123	457	150	686	1"	1/2"	355	23.6	12000
		62.0	26.9	17.5	4.8	18.0	5.9	27.0			783	1440	8851
LPS-20X-385Y-FC2-3	LPS-20X-385Y-F02-3	1574	683	469	136	470	150	686	1"	1/2"	370	27	12000
		62.0	26.9	18.5	5.3	18.5	5.9	27.0			816	1648	8851
LPS-20X-435Y-FC2-3	LPS-20X-435Y-F02-3	1574	683	526	164	526	178	686	1"	1"	420	34.4	12000
		62.0	26.9	20.7	6.5	20.7	7.0	27.0			926	2099	8851
LPS-20X-485Y-FC2-3	LPS-20X-485Y-F02-3	1574	683	578	190	578	204	686	1"	1"	481	42.8	12000
		62.0	26.9	22.8	7.5	22.8	8.0	27.0			1060	2612	8851
LPS-20X-335Y-FC3-1	LPS-20X-335Y-F03-1	1584	683	458	109	444	150	686	1"	1/2"	370	20.4	12000
		62.3	26.9	18.0	4.3	17.5	5.9	27.0			816	1245	8851
LPS-20X-360Y-FC3-1	LPS-20X-360Y-F03-1	1584	683	472	123	457	150	686	1"	1/2"	387	23.6	12000
		62.3	26.9	18.6	4.8	18.0	5.9	27.0			853	1440	8851
LPS-20X-385Y-FC3-1	LPS-20X-385Y-F03-1	1584	683	485	136	470	150	686	1"	1/2"	402	27	12000
		62.3	26.9	19.1	5.3	18.5	5.9	27.0			886	1648	8851
LPS-20X-435Y-FC3-1	LPS-20X-435Y-F03-1	1584	683	526	164	526	178	686	1"	1"	452	34.4	12000
		62.3	26.9	20.7	6.5	20.7	7.0	27.0			996	2099	8851
LPS-20X-485Y-FC3-1	LPS-20X-485Y-F03-1	1584	683	578	190	578	204	686	1"	1"	513	42.8	12000
		62.3	26.9	22.8	7.5	22.8	8.0	27.0			1131	2612	8851
LPS-20X-335Y-FC3-2	LPS-20X-335Y-F03-2	1584	683	458	109	444	150	686	1"	1/2"	387	20.4	12000
		62.3	26.9	18.0	4.3	17.5	5.9	27.0			853	1245	8851
LPS-20X-360Y-FC3-2	LPS-20X-360Y-F03-2	1584	683	472	123	457	150	686	1"	1/2"	404	23.6	12000
		62.3	26.9	18.6	4.8	18.0	5.9	27.0			891	1440	8851
LPS-20X-385Y-FC3-2	LPS-20X-385Y-F03-2	1584	683	485	136	470	150	686	1"	1/2"	419	27	12000
		62.3	26.9	19.1	5.3	18.5	5.9	27.0			924	1648	8851
LPS-20X-435Y-FC3-2	LPS-20X-435Y-F03-2	1584	683	526	164	526	178	686	1"	1"	469	34.4	12000
		62.3	26.9	20.7	6.5	20.7	7.0	27.0			1034	2099	8851
LPS-20X-485Y-FC3-2	LPS-20X-485Y-F03-2	1584	683	578	190	578	204	686	1"	1"	530	42.8	12000
		62.3	26.9	22.8	7.5	22.8	8.0	27.0			1168	2612	8851

Limitorque™ LPS Series Actuator

LPS Single Acting - Dimensions: mm (in) - Weights: Kg (lbs) - Swept Volumes: l (cu in) - MOT: Nm (ft-lb)													
Model		a*	b*	c	d	e	f	g*	"P" NPT PORT	"N" NPT PORT	Weight	Swept Volume*	MOT
LPS-20X-335Y-FC3-3	LPS-20X-335Y-F03-3	1584	683	458	109	444	150	686	1"	1/2"	392	20.4	12000
		62.3	26.9	18.0	4.3	17.5	5.9	27.0			864	1245	8851
LPS-20X-360Y-FC3-3	LPS-20X-360Y-F03-3	1584	683	472	123	457	150	686	1"	1/2"	409	23.6	12000
		62.3	26.9	18.6	4.8	18.0	5.9	27.0			902	1440	8851
LPS-20X-385Y-FC3-3	LPS-20X-385Y-F03-3	1584	683	485	136	470	150	686	1"	1/2"	424	27	12000
		62.3	26.9	19.1	5.3	18.5	5.9	27.0			935	1648	8851
LPS-20X-435Y-FC3-3	LPS-20X-435Y-F03-3	1584	683	526	164	526	178	686	1"	1"	474	34.4	12000
		62.3	26.9	20.7	6.5	20.7	7.0	27.0			1045	2099	8851
LPS-20X-485Y-FC3-3	LPS-20X-485Y-F03-3	1584	683	578	190	578	204	686	1"	1"	535	42.8	12000
		62.3	26.9	22.8	7.5	22.8	8.0	27.0			1179	2612	8851
LPS-25X-435Y-FC2-3	LPS-25X-435Y-F02-3	1808	776	526	150	556	188	794	1"	1"	557	42.1	21000
		71.2	30.5	20.7	5.9	21.9	7.4	31.2			1228	2569	15489
LPS-25X-485Y-FC2-3	LPS-25X-485Y-F02-3	1828	796	578	176	582	188	814	1"	1"	620	52.3	21000
		71.9	31.3	22.8	6.9	22.9	7.4	32.0			1367	3192	15489
LPS-25X-535Y-FC2-3	LPS-25X-535Y-F02-3	1844	812	631	203	631	211	830	1"	1"	671	63.7	21000
		72.6	31.9	24.8	8.0	24.8	8.3	32.7			1479	3887	15489
LPS-25X-585Y-FC2-3	LPS-25X-585Y-F02-3	1844	812	683	229	683	237	830	1"	1"	765	76.1	21000
		72.6	31.9	26.9	9.0	26.9	9.3	32.7			1687	4644	15489
LPS-25X-435Y-FC3-4	LPS-25X-435Y-F03-4	1847	776	526	150	556	188	794	1"	1"	589	42.1	21000
		72.7	30.5	20.7	5.9	21.9	7.4	31.2			1299	2569	15489
LPS-25X-485Y-FC3-4	LPS-25X-485Y-F03-4	1867	796	578	176	582	188	814	1"	1"	652	52.3	21000
		73.5	31.3	22.8	6.9	22.9	7.4	32.0			1437	3192	15489
LPS-25X-535Y-FC3-4	LPS-25X-535Y-F03-4	1883	812	631	203	631	211	830	1"	1"	703	63.7	21000
		74.1	31.9	24.8	8.0	24.8	8.3	32.7			1550	3887	15489
LPS-25X-585Y-FC3-4	LPS-25X-585Y-F03-4	1883	812	683	229	683	237	830	1"	1"	797	76.1	21000
		74.1	31.9	26.9	9.0	26.9	9.3	32.7			1757	4644	15489
LPS-25X-435Y-FC4-2	LPS-25X-435Y-F04-2	1877	776	533	150	556	188	794	1"	1"	631	42.1	21000
		73.9	30.5	21.0	5.9	21.9	7.4	31.2			1391	2569	15489
LPS-25X-485Y-FC4-2	LPS-25X-485Y-F04-2	1897	796	578	176	582	188	814	1"	1"	694	52.3	21000
		74.7	31.3	22.8	6.9	22.9	7.4	32.0			1530	3192	15489
LPS-25X-535Y-FC4-2	LPS-25X-535Y-F04-2	1913	812	631	203	631	211	830	1"	1"	745	63.7	21000
		75.3	31.9	24.8	8.0	24.8	8.3	32.7			1642	3887	15489

Limitorque™ LPS Series Actuator

LPS Single Acting - Dimensions: mm (in) - Weights: Kg (lbs) - Swept Volumes: l (cu in) - MOT: Nm (ft-lb)													
Model		a*	b*	c	d	e	f	g*	"P" NPT PORT	"N" NPT PORT	Weight	Swept Volume*	MOT
LPS-25X-585Y-FC4-2	LPS-25X-585Y-F04-2	1913	812	683	229	683	237	830	1"	1"	839	76.1	21000
		75.3	31.9	26.9	9.0	26.9	9.3	32.7			1850	4644	15489
LPS-25X-435Y-FC4-3	LPS-25X-435Y-F04-3	1877	776	533	150	556	188	794	1"	1"	644	42.1	21000
		73.9	30.5	21.0	5.9	21.9	7.4	31.2			1420	2569	15489
LPS-25X-485Y-FC4-3	LPS-25X-485Y-F04-3	1897	796	578	176	582	188	814	1"	1"	707	52.3	21000
		74.7	31.3	22.8	6.9	22.9	7.4	32.0			1559	3192	15489
LPS-25X-535Y-FC4-3	LPS-25X-535Y-F04-3	1913	812	631	203	631	211	830	1"	1"	758	63.7	21000
		75.3	31.9	24.8	8.0	24.8	8.3	32.7			1671	3887	15489
LPS-25X-585Y-FC4-3	LPS-25X-585Y-F04-3	1913	812	683	229	683	237	830	1"	1"	852	76.1	21000
		75.3	31.9	26.9	9.0	26.9	9.3	32.7			1878	4644	15489
LPS-25X-435Y-FC5-1	LPS-25X-435Y-F05-1	1931	776	526	150	556	188	794	1"	1"	747	42.1	21000
		76.0	30.5	20.7	5.9	21.9	7.4	31.2			1647	2569	15489
LPS-25X-485Y-FC5-1	LPS-25X-485Y-F05-1	1951	796	578	176	582	188	814	1"	1"	810	52.3	21000
		76.8	31.3	22.8	6.9	22.9	7.4	32.0			1786	3192	15489
LPS-25X-535Y-FC5-1	LPS-25X-535Y-F05-1	1967	812	631	203	631	211	830	1"	1"	861	63.7	21000
		77.4	31.9	24.8	8.0	24.8	8.3	32.7			1898	3887	15489
LPS-25X-585Y-FC5-1	LPS-25X-585Y-F05-1	1967	812	683	229	683	237	830	1"	1"	955	76.1	21000
		77.4	31.9	26.9	9.0	26.9	9.3	32.7			2105	4644	15489
LPS-25X-435Y-FC5-2	LPS-25X-435Y-F05-2	1931	776	526	150	556	188	794	1"	1"	756	42.1	21000
		76.0	30.5	20.7	5.9	21.9	7.4	31.2			1667	2569	15489
LPS-25X-485Y-FC5-2	LPS-25X-485Y-F05-2	1951	796	578	176	582	188	814	1"	1"	819	52.3	21000
		76.8	31.3	22.8	6.9	22.9	7.4	32.0			1806	3192	15489
LPS-25X-535Y-FC5-2	LPS-25X-535Y-F05-2	1967	812	631	203	631	211	830	1"	1"	870	63.7	21000
		77.4	31.9	24.8	8.0	24.8	8.3	32.7			1918	3887	15489
LPS-25X-585Y-FC5-2	LPS-25X-585Y-F05-2	1967	812	683	229	683	237	830	1"	1"	964	76.1	21000
		77.4	31.9	26.9	9.0	26.9	9.3	32.7			2125	4644	15489
LPS-30X-535Y-FC2-3	LPS-30X-535Y-F02-3	2260	979	630	162	669	215	999	1"	1"	956	80.7	40500
		89.0	38.5	24.8	6.4	26.3	8.5	39.3			2108	4925	29871
LPS-30X-585Y-FC2-3	LPS-30X-585Y-F02-3	2260	979	683	189	691	215	999	1"	1"	1042	96.5	40500
		89.0	38.5	26.9	7.4	27.2	8.5	39.3			2297	5889	29871
LPS-30X-635Y-FC2-3	LPS-30X-635Y-F02-3	2260	979	745	220	745	238	999	1"	1"	1139	113.7	40500
		89.0	38.5	29.3	8.6	29.3	9.4	39.3			2511	6938	29871

Limitorque™ LPS Series Actuator

LPS Single Acting - Dimensions: mm (in) - Weights: Kg (lbs) - Swept Volumes: l (cu in) - MOT: Nm (ft-lb)													
Model		a*	b*	c	d	e	f	g*	"P" NPT PORT	"N" NPT PORT	Weight	Swept Volume*	MOT
LPS-30X-685Y-FC2-3	LPS-30X-685Y-F02-3	2290	1009	795	245	795	263	1029	1"	1"	1263	132.3	40500
		90.1	39.7	31.3	9.6	31.3	10.4	40.5			2784	8073	29871
LPS-30X-535Y-FC4-2	LPS-30X-535Y-F04-2	2305	979	630	162	669	215	999	1"	1"	1071	80.7	40500
		90.7	38.5	24.8	6.4	26.3	8.5	39.3			2361	4925	29871
LPS-30X-585Y-FC4-2	LPS-30X-585Y-F04-2	2305	979	683	189	691	215	999	1"	1"	1157	96.5	40500
		90.7	38.5	26.9	7.4	27.2	8.5	39.3			2551	5889	29871
LPS-30X-635Y-FC4-2	LPS-30X-635Y-F04-2	2305	979	745	220	745	238	999	1"	1"	1254	113.7	40500
		90.7	38.5	29.3	8.6	29.3	9.4	39.3			2765	6938	29871
LPS-30X-685Y-FC4-2	LPS-30X-685Y-F04-2	2335	1009	795	245	795	263	1029	1"	1"	1378	132.3	40500
		91.9	39.7	31.3	9.6	31.3	10.4	40.5			3038	8073	29871
LPS-30X-535Y-FC4-4	LPS-30X-535Y-F04-4	2305	979	630	162	669	215	999	1"	1"	1086	80.7	40500
		90.7	38.5	24.8	6.4	26.3	8.5	39.3			2394	4925	29871
LPS-30X-585Y-FC4-4	LPS-30X-585Y-F04-4	2305	979	683	189	691	215	999	1"	1"	1172	96.5	40500
		90.7	38.5	26.9	7.4	27.2	8.5	39.3			2584	5889	29871
LPS-30X-635Y-FC4-4	LPS-30X-635Y-F04-4	2305	979	745	220	745	238	999	1"	1"	1269	113.7	40500
		90.7	38.5	29.3	8.6	29.3	9.4	39.3			2798	6938	29871
LPS-30X-685Y-FC4-4	LPS-30X-685Y-F04-4	2335	1009	795	245	795	263	1029	1"	1"	1393	132.3	40500
		91.9	39.7	31.3	9.6	31.3	10.4	40.5			3071	8073	29871
LPS-30X-535Y-FC4-5	LPS-30X-535Y-F04-5	2305	979	630	162	669	215	999	1"	1"	1094	80.7	40500
		90.7	38.5	24.8	6.4	26.3	8.5	39.3			2412	4925	29871
LPS-30X-585Y-FC4-5	LPS-30X-585Y-F04-5	2305	979	683	189	691	215	999	1"	1"	1180	96.5	40500
		90.7	38.5	26.9	7.4	27.2	8.5	39.3			2601	5889	29871
LPS-30X-635Y-FC4-5	LPS-30X-635Y-F04-5	2305	979	745	220	745	238	999	1"	1"	1277	113.7	40500
		90.7	38.5	29.3	8.6	29.3	9.4	39.3			2815	6938	29871
LPS-30X-685Y-FC4-5	LPS-30X-685Y-F04-5	2335	1009	795	245	795	263	1029	1"	1"	1401	132.3	40500
		91.9	39.7	31.3	9.6	31.3	10.4	40.5			3089	8073	29871
LPS-30X-535Y-FC5-2	LPS-30X-535Y-F05-2	2802	979	667	162	669	215	999	1"	1"	1383	80.7	40500
		110.3	38.5	26.3	6.4	26.3	8.5	39.3			3049	4925	29871
LPS-30X-585Y-FC5-2	LPS-30X-585Y-F05-2	2802	979	694	189	691	215	999	1"	1"	1469	96.5	40500
		110.3	38.5	27.3	7.4	27.2	8.5	39.3			3239	5889	29871
LPS-30X-635Y-FC5-2	LPS-30X-635Y-F05-2	2802	979	745	220	745	238	999	1"	1"	1566	113.7	40500
		110.3	38.5	29.3	8.7	29.3	9.4	39.3			3452	6938	29871

Limitorque™ LPS Series Actuator

LPS Single Acting - Dimensions: mm (in) - Weights: Kg (lbs) - Swept Volumes: l (cu in) - MOT: Nm (ft-lb)													
Model		a*	b*	c	d	e	f	g*	"P" NPT PORT	"N" NPT PORT	Weight	Swept Volume*	MOT
LPS-30X-685Y-FC5-2	LPS-30X-685Y-F05-2	2832	1009	795	245	795	263	1029	1"	1"	1690	132.3	40500
		111.5	39.7	31.3	9.6	31.3	10.4	40.5			3726	8073	29871
LPS-30X-535Y-FC5-3	LPS-30X-535Y-F05-3	2802	979	667	162	669	215	999	1"	1"	1383	80.7	40500
		110.3	38.5	26.3	6.4	26.3	8.5	39.3			3049	4925	29871
LPS-30X-585Y-FC5-3	LPS-30X-585Y-F05-3	2802	979	694	189	691	215	999	1"	1"	1469	96.5	40500
		110.3	38.5	27.3	7.4	27.2	8.5	39.3			3239	5889	29871
LPS-30X-635Y-FC5-3	LPS-30X-635Y-F05-3	2802	979	745	220	745	238	999	1"	1"	1566	113.7	40500
		110.3	38.5	29.3	8.7	29.3	9.4	39.3			3452	6938	29871
LPS-30X-685Y-FC5-3	LPS-30X-685Y-F05-3	2832	1009	795	245	795	263	1029	1"	1"	1690	132.3	40500
		111.5	39.7	31.3	9.6	31.3	10.4	40.5			3726	8073	29871
LPS-35X-685Y-FC2-2	LPS-35X-685Y-F02-2	3202	1231	846	212	849	260	1251	1"	1"	2152	165.2	75000
		126.0	48.5	33.3	8.3	33.4	10.2	49.3			4744	10081	51661
LPS-35X-735Y-FC2-2	LPS-35X-735Y-F02-2	3202	1231	900	237	900	285	1251	2 x 1"	2 x 1"	2242	190.2	75000
		126.0	48.5	35.4	9.3	35.4	11.2	49.3			4943	11607	51661
LPS-35X-785Y-FC2-2	LPS-35X-785Y-F02-2	3258	1287	951	264	951	311	1307	2 x 1"	2 x 1"	2427	217	75000
		128.2	50.7	37.4	10.4	37.4	12.2	51.5			5351	13242	51661
LPS-35X-835Y-FC2-2	LPS-35X-835Y-F02-2	3258	1287	1005	290	1005	338	1307	2 x 1"	2 x 1"	2583	245.5	75000
		128.2	50.7	39.6	11.4	39.6	13.3	51.5			5695	14981	51661
LPS-35X-885Y-FC2-2	LPS-35X-885Y-F02-2	3258	1287	1058	317	1058	364	1307	2 x 1"	2 x 1"	2795	275.8	75000
		128.2	50.7	41.7	12.5	41.7	14.3	51.5			6162	16830	51661
LPS-35X-935Y-FC2-2	LPS-35X-935Y-F02-2	3258	1287	1058	343	1058	364	1307	2 x 1"	2 x 1"	2991	307.8	75000
		128.2	50.7	41.7	13.5	41.7	14.3	51.5			6594	18783	51661
LPS-35X-685Y-FC3-1	LPS-35X-685Y-F03-1	3202	1231	846	212	849	260	1251	1"	1"	2343	165.2	75000
		126.0	48.5	33.3	8.3	33.4	10.2	49.3			5165	10081	51661
LPS-35X-735Y-FC3-1	LPS-35X-735Y-F03-1	3202	1231	900	237	900	285	1251	2 x 1"	2 x 1"	2433	190.2	75000
		126.0	48.5	35.4	9.3	35.4	11.2	49.3			5364	11607	51661
LPS-35X-785Y-FC3-1	LPS-35X-785Y-F03-1	3258	1287	951	264	951	311	1307	2 x 1"	2 x 1"	2618	217	75000
		128.2	50.7	37.4	10.4	37.4	12.2	51.5			5772	13242	51661
LPS-35X-835Y-FC3-1	LPS-35X-835Y-F03-1	3258	1287	1005	290	1005	338	1307	2 x 1"	2 x 1"	2774	245.5	75000
		128.2	50.7	39.6	11.4	39.6	13.3	51.5			6116	14981	51661
LPS-35X-885Y-FC3-1	LPS-35X-885Y-F03-1	3258	1287	1058	317	1058	364	1307	2 x 1"	2 x 1"	2986	275.8	75000
		128.2	50.7	41.7	12.5	41.7	14.3	51.5			6583	16830	51661

Limitorque™ LPS Series Actuator

LPS Single Acting - Dimensions: mm (in) - Weights: Kg (lbs) - Swept Volumes: l (cu in) - MOT: Nm (ft-lb)													
Model		a*	b*	c	d	e	f	g*	"P" NPT PORT	"N" NPT PORT	Weight	Swept Volume*	MOT
LPS-35X-935Y-FC3-1	LPS-35X-935Y-F03-1	3258	1287	1058	343	1058	364	1307	2 x 1"	2 x 1"	3182	307.8	75000
		128.2	50.7	41.7	13.5	41.7	14.3	51.5			7015	18783	51661
LPS-35X-685Y-FC3-2	LPS-35X-685Y-F03-2	3202	1231	846	212	849	260	1251	1"	1"	2527	165.2	75000
		126.0	48.5	33.3	8.3	33.4	10.2	49.3			5571	10081	51661
LPS-35X-735Y-FC3-2	LPS-35X-735Y-F03-2	3202	1231	900	237	900	285	1251	2 x 1"	2 x 1"	2617	190.2	75000
		126.0	48.5	35.4	9.3	35.4	11.2	49.3			5769	11607	51661
LPS-35X-785Y-FC3-2	LPS-35X-785Y-F03-2	3258	1287	951	264	951	311	1307	2 x 1"	2 x 1"	2802	217	75000
		128.2	50.7	37.4	10.4	37.4	12.2	51.5			6177	13242	51661
LPS-35X-835Y-FC3-2	LPS-35X-835Y-F03-2	3258	1287	1005	290	1005	338	1307	2 x 1"	2 x 1"	2958	245.5	75000
		128.2	50.7	39.6	11.4	39.6	13.3	51.5			6521	14981	51661
LPS-35X-885Y-FC3-2	LPS-35X-885Y-F03-2	3258	1287	1058	317	1058	364	1307	2 x 1"	2 x 1"	3170	275.8	75000
		128.2	50.7	41.7	12.5	41.7	14.3	51.5			6989	16830	51661
LPS-35X-935Y-FC3-2	LPS-35X-935Y-F03-2	3258	1287	1058	343	1058	364	1307	2 x 1"	2 x 1"	3366	307.8	75000
		128.2	50.7	41.7	13.5	41.7	14.3	51.5			7421	18783	51661
LPS-35X-685Y-FC3-3	LPS-35X-685Y-F03-3	3202	1231	846	212	849	260	1251	1"	1"	2587	165.2	75000
		126.0	48.5	33.3	8.3	33.4	10.2	49.3			5703	10081	51661
LPS-35X-735Y-FC3-3	LPS-35X-735Y-F03-3	3202	1231	900	237	900	285	1251	2 x 1"	2 x 1"	2677	190.2	75000
		126.0	48.5	35.4	9.3	35.4	11.2	49.3			5902	11607	51661
LPS-35X-785Y-FC3-3	LPS-35X-785Y-F03-3	3258	1287	951	264	951	311	1307	2 x 1"	2 x 1"	2862	217	75000
		128.2	50.7	37.4	10.4	37.4	12.2	51.5			6310	13242	51661
LPS-35X-835Y-FC3-3	LPS-35X-835Y-F03-3	3258	1287	1005	290	1005	338	1307	2 x 1"	2 x 1"	3018	245.5	75000
		128.2	50.7	39.6	11.4	39.6	13.3	51.5			6654	14981	51661
LPS-35X-885Y-FC3-3	LPS-35X-885Y-F03-3	3258	1287	1058	317	1058	364	1307	2 x 1"	2 x 1"	3230	275.8	75000
		128.2	50.7	41.7	12.5	41.7	14.3	51.5			7121	16830	51661
LPS-35X-935Y-FC3-3	LPS-35X-935Y-F03-3	3258	1287	1058	343	1058	364	1307	2 x 1"	2 x 1"	3426	307.8	75000
		128.2	50.7	41.7	13.5	41.7	14.3	51.5			7553	18783	51661
LPS-35X-685Y-FC3-4	LPS-35X-685Y-F03-4	3202	1231	846	212	849	260	1251	1"	1"	2572	165.2	75000
		126.1	48.5	33.3	8.3	33.4	10.2	49.3			5670	10081	51661
LPS-35X-735Y-FC3-4	LPS-35X-735Y-F03-4	3202	1231	900	237	900	285	1251	2 x 1"	2 x 1"	2662	190.2	75000
		126.1	48.5	35.4	9.3	35.4	11.2	49.3			5869	11607	51661
LPS-35X-785Y-FC3-4	LPS-35X-785Y-F03-4	3258	1287	951	264	951	311	1307	2 x 1"	2 x 1"	2847	217	75000
		128.3	50.7	37.4	10.4	37.4	12.2	51.5			6277	13242	51661

Limitorque™ LPS Series Actuator

LPS Single Acting - Dimensions: mm (in) - Weights: Kg (lbs) - Swept Volumes: l (cu in) - MOT: Nm (ft-lb)														
Model		a*	b*	c	d	e	f	g*	"P" NPT PORT	"N" NPT PORT	Weight	Swept Volume*	MOT	
LPS-35X-835Y-FC3-4	LPS-35X-835Y-F03-4	3258	1287	1005	290	1005	338	1307	2 x 1"	2 x 1"	3003	245.5	75000	
		128.3	50.7	39.6	11.4	39.6	13.3	51.5			6620	14981	51661	
LPS-35X-885Y-FC3-4	LPS-35X-885Y-F03-4	3258	1287	1058	317	1058	364	1307	2 x 1"	2 x 1"	3215	275.8	75000	
		128.3	50.7	41.7	12.5	41.7	14.3	51.5			7088	16830	51661	
LPS-35X-935Y-FC3-4	LPS-35X-935Y-F03-4	3258	1287	1058	343	1058	364	1307	2 x 1"	2 x 1"	3411	307.8	75000	
		128.3	50.7	41.7	13.5	41.7	14.3	51.5			7520	18783	51661	
LPS-40X-835Y-FC3-3	LPS-40X-835Y-F03-3	3918	1563	951	271	966	290	1587	2 x 1"	2 x 1"	3638	308.6	150000	
		154.2	61.5	37.4	10.7	38.0	11.4	62.5			8020	18832	103321	
LPS-40X-985Y-FC3-3	LPS-40X-985Y-F03-3	3923	1568	1111	346	1111	356	1592	2 x 1"	2 x 1"	4164	429.4	150000	
		154.4	61.7	43.7	13.6	43.7	14.0	62.7			9180	26204	103321	
LPS-40X-1050Y-FC3-3	LPS-40X-1050Y-F03-3	3943	1588	1179	380	1179	390	1612	2 x 1"	2 x 1"	4484	487.9	150000	
		155.2	62.5	46.4	15.0	46.4	15.3	63.5			9886	29773	103321	
LPS-40X-1200Y-FC3-3	LPS-40X-1200Y-F03-3	3943	1588	1332	457	1332	501	1612	2 x 1"	2 x 1"	5476	637.3	150000	
		155.2	62.5	52.4	18.0	52.4	19.7	63.5			12073	38890	103321	
LPS-40X-835Y-FC4-1	LPS-40X-835Y-F04-1	4149	1563	951	271	966	290	1587	2 x 1"	2 x 1"	3057	308.6	150000	
		163.3	61.5	37.4	10.7	38.0	11.4	62.5			6740	18832	103321	
LPS-40X-885Y-FC4-1	LPS-40X-885Y-F04-1	4149	1563	1005	293	1005	303	1587	2 x 1"	2 x 1"	3271	346.6	150000	
		163.3	61.5	39.6	11.5	39.6	11.9	62.5			7211	21151	103321	
LPS-40X-985Y-FC4-1	LPS-40X-985Y-F04-1	4154	1568	1111	346	1111	356	1592	2 x 1"	2 x 1"	3583	429.4	150000	
		163.5	61.7	43.7	13.6	43.7	14.0	62.7			7899	26204	103321	
LPS-40X-1050Y-FC4-1	LPS-40X-1050Y-F04-1	4174	1588	1179	380	1179	390	1612	2 x 1"	2 x 1"	3903	487.9	150000	
		164.3	62.5	46.4	15.0	46.4	15.3	63.5			8605	29773	103321	
LPS-40X-1200Y-FC4-1	LPS-40X-1200Y-F04-1	4174	1588	1332	457	1332	501	1612	2 x 1"	2 x 1"	4895	637.3	150000	
		164.3	62.5	52.4	18.0	52.4	19.7	63.5			10792	38890	103321	
LPS-40X-835Y-FC4-2	LPS-40X-835Y-F04-2	4149	1563	951	271	966	290	1587	2 x 1"	2 x 1"	3144	308.6	150000	
		163.3	61.5	37.4	10.7	38.0	11.4	62.5			6931	18832	103321	
LPS-40X-885Y-FC4-2	LPS-40X-885Y-F04-2	4149	1563	1005	293	1005	303	1587	2 x 1"	2 x 1"	3358	346.6	150000	
		163.3	61.5	39.6	11.5	39.6	11.9	62.5			7403	21151	103321	
LPS-40X-985Y-FC4-2	LPS-40X-985Y-F04-2	4154	1568	1111	346	1111	356	1592	2 x 1"	2 x 1"	3670	429.4	150000	
		163.5	61.7	43.7	13.6	43.7	14.0	62.7			8091	26204	103321	
LPS-40X-1050Y-FC4-2	LPS-40X-1050Y-F04-2	4174	1588	1179	380	1179	390	1612	2 x 1"	2 x 1"	3990	487.9	150000	
		164.3	62.5	46.4	15.0	46.4	15.3	63.5			8796	29773	103321	

Limitorque™ LPS Series Actuator

LPS Single Acting - Dimensions: mm (in) - Weights: Kg (lbs) - Swept Volumes: l (cu in) - MOT: Nm (ft-lb)														
Model		a*	b*	c	d	e	f	g*	"P" NPT PORT	"N" NPT PORT	Weight	Swept Volume*	MOT	
LPS-40X-1200Y-FC4-2	LPS-40X-1200Y-F04-2	4174	1588	1332	457	1332	501	1612	2 x 1"	2 x 1"	4982	637.3	150000	
		164.3	62.5	52.4	18.0	52.4	19.7	63.5			10983	38890	103321	
LPS-40X-835Y-FC4-4	LPS-40X-835Y-F04-4	4149	1563	951	271	966	290	1587	2 x 1"	2 x 1"	3633	308.6	150000	
		163.3	61.5	37.4	10.7	38.0	11.4	62.5			8009	18832	103321	
LPS-40X-885Y-FC4-4	LPS-40X-885Y-F04-4	4149	1563	1005	293	1005	303	1587	2 x 1"	2 x 1"	3847	346.6	150000	
		163.3	61.5	39.6	11.5	39.6	11.9	62.5			8481	21151	103321	
LPS-40X-985Y-FC4-4	LPS-40X-985Y-F04-4	4154	1568	1111	346	1111	356	1592	2 x 1"	2 x 1"	4159	429.4	150000	
		163.5	61.7	43.7	13.6	43.7	14.0	62.7			9169	26204	103321	
LPS-40X-1050Y-FC4-4	LPS-40X-1050Y-F04-4	4174	1588	1179	380	1179	390	1612	2 x 1"	2 x 1"	4479	487.9	150000	
		164.3	62.5	46.4	15.0	46.4	15.3	63.5			9875	29773	103321	
LPS-40X-1200Y-FC4-4	LPS-40X-1200Y-F04-4	4174	1588	1332	457	1332	501	1612	2 x 1"	2 x 1"	5471	637.3	150000	
		164.3	62.5	52.4	18.0	52.4	19.7	63.5			12061	38890	103321	
LPS-40X-835Y-FC5-3	LPS-40X-835Y-F05-3	4836	1563	951	271	966	290	1587	2 x 1"	2 x 1"	4835	308.6	150000	
		190.4	61.5	37.4	10.7	38.0	11.4	62.5			10659	18832	103321	
LPS-40X-885Y-FC5-3	LPS-40X-885Y-F05-3	4836	1563	1005	293	1005	303	1587	2 x 1"	2 x 1"	5049	346.6	150000	
		190.4	61.5	39.6	11.5	39.6	11.9	62.5			11131	21151	103321	
LPS-40X-985Y-FC5-3	LPS-40X-985Y-F05-3	4841	1568	1111	346	1111	356	1592	2 x 1"	2 x 1"	5361	429.4	150000	
		190.6	61.7	43.7	13.6	43.7	14.0	62.7			11819	26204	103321	
LPS-40X-1050Y-FC5-3	LPS-40X-1050Y-F05-3	4861	1588	1179	380	1179	390	1612	2 x 1"	2 x 1"	5681	487.9	150000	
		191.4	62.5	46.4	15.0	46.4	15.3	63.5			12524	29773	103321	
LPS-40X-1200Y-FC5-3	LPS-40X-1200Y-F05-3	4861	1588	1332	457	1332	466	1612	2 x 1"	2 x 1"	6673	637.3	150000	
		191.4	62.5	52.4	18.0	52.4	18.3	63.5			14711	38890	103321	
LPS-50X-1050Y-FC1-4	LPS-50X-1050Y-F01-4	5427	1997	1179	288	1179	345	2013	2 x 1"	2 x 1"	6859	617	300000	
		213.6	78.6	46.4	11.3	46.4	13.6	79.3			15122	37664	221269	
LPS-50X-1200Y-FC1-4	LPS-50X-1200Y-F01-4	5427	1997	1332	364	1332	421	2013	2 x 1"	2 x 1"	7856	806.1	300000	
		213.6	78.6	52.4	14.3	52.4	16.6	79.3			17320	49191	221269	
LPS-50X-1300Y-FC1-4	LPS-50X-1300Y-F01-4	5427	1997	1432	414	1432	471	2013	2 x 1"	2 x 1"	8630	946.0	300000	
		213.6	78.6	56.4	16.3	56.4	18.5	79.3			19026	57728	221269	
LPS-50X-1400Y-FC1-4	LPS-50X-1400Y-F01-4	5427	1997	1532	464	1532	521	2013	2 x 1"	2 x 1"	9568	1097.2	300000	
		213.6	78.6	60.3	18.3	60.3	20.5	79.3			21094	66955	221269	
LPS-50X-1500Y-FC1-4	LPS-50X-1500Y-F01-4	5427	1997	1640	518	1640	575	2013	2 x 1,5"	2 x 1,5"	10765	1259.5	300000	
		213.6	78.6	64.6	20.4	64.6	22.6	79.3			23733	76859	221269	

Limitorque™ LPS Series Actuator

LPS Single Acting - Dimensions: mm (in) - Weights: Kg (lbs) - Swept Volumes: l (cu in) - MOT: Nm (ft-lb)													
Model		a*	b*	c	d	e	f	g*	"P" NPT PORT	"N" NPT PORT	Weight	Swept Volume*	MOT
LPS-50X-1050Y-FC2-2	LPS-50X-1050Y-F02-2	5476	1997	1179	288	1179	345	2013	2 x 1"	2 x 1"	7170	617.2	300000
		215.6	78.6	46.4	11.3	46.4	13.6	79.3			15807	37664	221269
LPS-50X-1200Y-FC2-2	LPS-50X-1200Y-F02-2	5476	1997	1332	364	1332	421	2013	2 x 1"	2 x 1"	8167	806.1	300000
		215.6	78.6	52.4	14.3	52.4	16.6	79.3			18005	49191	221269
LPS-50X-1300Y-FC2-2	LPS-50X-1300Y-F02-2	5476	1997	1432	414	1432	471	2013	2 x 1"	2 x 1"	8941	946.0	300000
		215.6	78.6	56.4	16.3	56.4	18.5	79.3			19712	57728	221269
LPS-50X-1400Y-FC2-2	LPS-50X-1400Y-F02-2	5476	1997	1532	464	1532	521	2013	2 x 1"	2 x 1"	9879	1097.2	300000
		215.6	78.6	60.3	18.3	60.3	20.5	79.3			21779	66955	221269
LPS-50X-1500Y-FC2-2	LPS-50X-1500Y-F02-2	5476	1997	1640	518	1640	575	2013	2 x 1,5"	2 x 1,5"	11076	1259.5	300000
		215.6	78.6	64.6	20.4	64.6	22.6	79.3			24418	76859	221269
LPS-50X-1050Y-FC3-1	LPS-50X-1050Y-F03-1	5516	1997	1179	288	1179	345	2013	2 x 1"	2 x 1"	7283	617.2	300000
		217.1	78.6	46.4	11.3	46.4	13.6	79.3			16056	37664	221269
LPS-50X-1200Y-FC3-1	LPS-50X-1200Y-F03-1	5516	1997	1332	364	1332	421	2013	2 x 1"	2 x 1"	8280	806.1	300000
		217.1	78.6	52.4	14.3	52.4	16.6	79.3			18254	49191	221269
LPS-50X-1300Y-FC3-1	LPS-50X-1300Y-F03-1	5516	1997	1432	414	1432	471	2013	2 x 1"	2 x 1"	9054	946.0	300000
		217.1	78.6	56.4	16.3	56.4	18.5	79.3			19961	57728	221269
LPS-50X-1400Y-FC3-1	LPS-50X-1400Y-F03-1	5516	1997	1532	464	1532	521	2013	2 x 1"	2 x 1"	9992	1097.2	300000
		217.1	78.6	60.3	18.3	60.3	20.5	79.3			22029	66955	221269
LPS-50X-1500Y-FC3-1	LPS-50X-1500Y-F03-1	5516	1997	1640	518	1640	575	2013	2 x 1,5"	2 x 1,5"	11189	1259.5	300000
		217.1	78.6	64.6	20.4	64.6	22.6	79.3			24668	76859	221269
LPS-50X-1050Y-FC3-3	LPS-50X-1050Y-F03-3	5526	1997	1179	288	1179	345	2013	2 x 1"	2 x 1"	8075	617.2	300000
		217.5	78.6	46.4	11.3	46.4	13.6	79.3			17802	37664	221269
LPS-50X-1200Y-FC3-3	LPS-50X-1200Y-F03-3	5526	1997	1332	364	1332	421	2013	2 x 1"	2 x 1"	9072	806.1	300000
		217.5	78.6	52.4	14.3	52.4	16.6	79.3			20000	49191	221269
LPS-50X-1300Y-FC3-3	LPS-50X-1300Y-F03-3	5526	1997	1432	414	1432	471	2013	2 x 1"	2 x 1"	9846	946.0	300000
		217.5	78.6	56.4	16.3	56.4	18.5	79.3			21707	57728	221269
LPS-50X-1400Y-FC3-3	LPS-50X-1400Y-F03-3	5526	1997	1532	464	1532	521	2013	2 x 1"	2 x 1"	10784	1097.2	300000
		217.5	78.6	60.3	18.3	60.3	20.5	79.3			23775	66955	221269
LPS-50X-1500Y-FC3-3	LPS-50X-1500Y-F03-3	5526	1997	1640	518	1640	575	2013	2 x 1,5"	2 x 1,5"	11981	1259.5	300000
		217.5	78.6	64.6	20.4	64.6	22.6	79.3			26414	76859	221269

Notes:

* Swept Volume and overall dimensions data are referred to actuators with end stops adjusted for 90° of stroke. Refer to Figure for details of Ports "N" and "P".

Tolerance 5% to be considered on dimensions and weight

LPS Double Acting: Dimensional, Weight and Volume Tables

Figure 9: LPS Double Acting

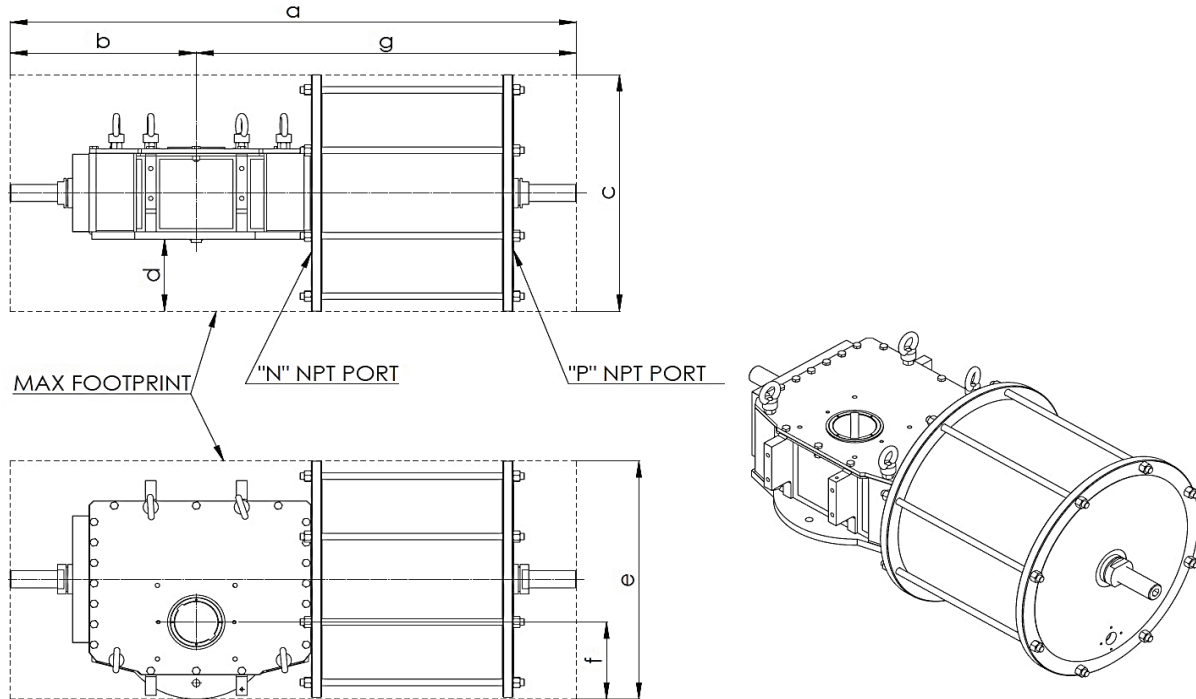


Table 2: LPS Double Acting: Dimensional, Weight and Volume Tables

Model	a*	b*	c	d	e	f	g*	"P" NPT PORT	"N" NPT PORT	Weight	Swept Volume*		MOT
											"P" PORT	"N" PORT	
LPS-15X-255Y-D1	807	256	280	45	352	120	551	1/2"	1/2"	117	9.2	9.1	6000
	31.8	10.1	11.0	1.8	13.9	4.7	21.7			258	561	555	4425
LPS-15X-285Y-D1	807	256	367	88	369	120	551	1/2"	1/2"	136	11.6	11.5	6000
	31.8	10.1	14.4	3.5	14.5	4.7	21.7			300	708	702	4425
LPS-15X-300Y-D1	812	256	386	98	386	128	556	1"	1/2"	146	12.8	12.7	6000
	32.0	10.1	15.2	3.8	15.2	5.0	21.9			322	781	775	4425
LPS-15X-335Y-D1	812	256	415	112	415	143	556	1"	1/2"	166	16.0	15.9	6000
	32.0	10.1	16.3	4.4	16.3	5.6	21.9			366	976	970	4425
LPS-15X-360Y-D1	812	256	443	126	443	157	556	1"	1/2"	183	18.4	18.3	6000
	32.0	10.1	17.4	5.0	17.4	6.2	21.9			403	1123	1117	4425
LPS-15X-385Y-D1	812	256	469	139	469	170	556	1"	1/2"	197	21.1	21.0	6000
	32.0	10.1	18.5	5.5	18.5	6.7	21.9			434	1288	1281	4425
LPS-20X-335Y-D1	1008	323	415	109	444	150	686	1"	1/2"	218	20.4	20.2	12000
	39.7	12.7	16.3	4.3	17.5	5.9	27.0			481	1245	1233	8851
LPS-20X-360Y-D1	1008	323	443	123	457	150	686	1"	1/2"	235	23.6	23.4	12000
	39.7	12.7	17.4	4.8	18.0	5.9	27.0			518	1440	1428	8851
LPS-20X-385Y-D1	1008	323	469	136	470	150	686	1"	1/2"	250	27.0	26.8	12000
	39.7	12.7	18.5	5.3	18.5	5.9	27.0			551	1648	1635	8851
LPS-20X-435Y-D1	1008	323	526	164	526	178	686	1"	1"	300	34.4	34.2	12000
	39.7	12.7	20.7	6.5	20.7	7.0	27.0			661	2099	2087	8851
LPS-20X-485Y-D1	1008	323	578	190	578	204	686	1"	1"	361	42.8	42.6	12000
	39.7	12.7	22.8	7.5	22.8	8.0	27.0			796	2612	2600	8851
LPS-25X-435Y-D1	1159	365	526	150	556	188	794	1"	1"	370	42.1	41.7	21000
	45.6	14.4	20.7	5.9	21.9	7.4	31.2			816	2569	2545	15489
LPS-25X-485Y-D1	1179	365	578	176	582	188	814	1"	1"	433	52.3	51.9	21000
	46.4	14.4	22.8	6.9	22.9	7.4	32.0			955	3192	3167	15489
LPS-25X-535Y-D1	1195	365	631	203	631	211	830	1"	1"	486	63.7	63.3	21000
	47.0	14.4	24.8	8.0	24.8	8.3	32.7			1071	3887	3863	15489
LPS-25X-585Y-D1	1195	365	683	229	683	237	830	1"	1"	580	76.1	75.7	21000
	47.0	14.4	26.9	9.0	26.9	9.3	32.7			1279	4644	4619	15489
LPS-30X-535Y-D1	1457	458	630	162	669	215	999	1"	1"	680	80.7	80.0	40500
	57.4	18.0	24.8	6.4	26.3	8.5	39.3			1499	4925	4882	29871

Model	a*	b*	c	d	e	f	g*	"P" NPT PORT	"N" NPT PORT	Weight	Swept Volume*		MOT
											"P" PORT	"N" PORT	
LPS-30X-585Y-D1	1457	458	683	189	691	215	999	1"	1"	766	96.5	95.8	40500
	57.4	18.0	26.9	7.4	27.2	8.5	39.3			1689	5889	5846	29871
LPS-30X-635Y-D1	1457	458	745	220	745	238	999	1"	1"	863	113.7	113.0	40500
	57.4	18.0	29.3	8.6	29.3	9.4	39.3			1903	6938	6896	29871
LPS-30X-685Y-D1	1487	458	795	245	795	263	1029	1"	1"	987	132.3	131.6	40500
	58.5	18.0	31.3	9.6	31.3	10.4	40.5			2176	8073	8031	29871
LPS-35X-685Y-D1	1821	570	795	212	849	260	1251	1"	1"	1360	165.2	163.7	75000
	71.7	22.4	31.3	8.3	33.4	10.2	49.3			2998	10081	9989	51661
LPS-35X-735Y-D1	1821	570	846	237	849	260	1251	2 x 1"	2 x 1"	1450	190.2	188.7	75000
	71.7	22.4	33.3	9.3	33.4	10.2	49.3			3197	11607	11515	51661
LPS-35X-785Y-D1	1877	570	900	264	900	285	1307	2 x 1"	2 x 1"	1635	217.0	215.5	75000
	73.9	22.4	35.4	10.4	35.4	11.2	51.5			3605	13242	13150	51661
LPS-35X-835Y-D1	1877	570	951	290	951	311	1307	2 x 1"	2 x 1"	1791	245.5	244.0	75000
	73.9	22.4	37.4	11.4	37.4	12.2	51.5			3948	14981	14890	51661
LPS-35X-885Y-D1	1877	570	1005	317	1005	338	1307	2 x 1"	2 x 1"	2007	275.8	274.3	75000
	73.9	22.4	39.6	12.5	39.6	13.3	51.5			4425	16830	16739	51661
LPS-35X-935Y-D1	1877	570	1058	343	1058	364	1307	2 x 1"	2 x 1"	2203	307.8	306.3	75000
	73.9	22.4	41.7	13.5	41.7	14.3	51.5			4857	18783	18691	51661
LPS-40X-835Y-D1	2295	708	951	271	966	290	1587	2 x 1"	2 x 1"	2256	308.6	305.8	150000
	90.3	27.9	37.4	10.7	38.0	11.4	62.5			4974	18832	18661	103321
LPS-40X-885Y-D1	2295	708	1005	293	1005	303	1587	2 x 1"	2 x 1"	2474	346.6	343.8	150000
	90.3	27.9	39.6	11.5	39.6	11.9	62.5			5454	21151	20980	103321
LPS-40X-985Y-D1	2300	708	1111	346	1111	356	1592	2 x 1"	2 x 1"	2786	429.4	426.6	150000
	90.5	27.9	43.7	13.6	43.7	14.0	62.7			6142	26203	26032	103321
LPS-40X-1050Y-D1	2320	708	1179	380	1179	390	1612	2 x 1"	2 x 1"	3106	487.9	485.1	150000
	91.3	27.9	46.4	15.0	46.4	15.3	63.5			6848	29773	29602	103321
LPS-40X-1200Y-D1	2320	708	1332	457	1332	466	1612	2 x 1"	2 x 1"	4098	637.3	634.5	150000
	91.3	27.9	52.4	18.0	52.4	18.3	63.5			9035	38890	38719	103321
LPS-50X-1050Y-D1	2896	883	1179	288	1179	345	2013	2 x 1"	2 x 1"	4469	617.2	613.4	300000
	114.0	34.7	46.4	11.3	46.4	13.6	79.3			9852	37664	37432	221269
LPS-50X-1200Y-D1	2896	883	1332	364	1332	421	2013	2 x 1"	2 x 1"	5466	806.1	802.3	300000
	114.0	34.7	52.4	14.3	52.4	16.6	79.3			12050	49191	48959	221269

Limitorque™ LPS Series Actuator

Model	a*	b*	c	d	e	f	g*	"P" NPT PORT	"N" NPT PORT	Weight	Swept Volume*		MOT
											"P" PORT	"N" PORT	
LPS-50X-1300Y-D1	2896	883	1432	414	1432	471	2013	2 x 1"	2 x 1"	6260	946.0	942.2	300000
	114.0	34.7	56.4	16.3	56.4	18.5	79.3			13801	57728	57497	221269
LPS-50X-1400Y-D1	2896	883	1532	464	1532	521	2013	2 x 1"	2 x 1"	7198	1097.2	1093.4	300000
	114.0	34.7	60.3	18.3	60.3	20.5	79.3			15869	66955	66723	221269

Notes:

* Swept Volume and overall dimensions data are referred to actuators with end stops adjusted for 90° of stroke. Refer to Figure for details of Ports "N" and "P".

Tolerance 5% to be considered on dimensions and weight

LPS Single Acting + Manual Override JL: Dimensional, Weight and Volume Tables

Figure 10: Fail Close (FC) Configuration

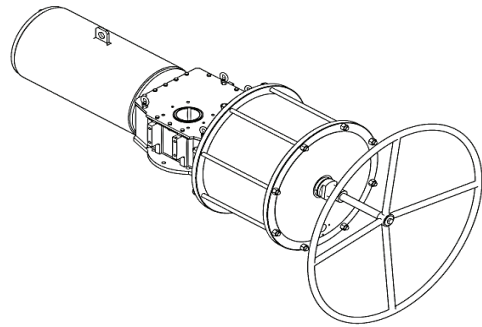
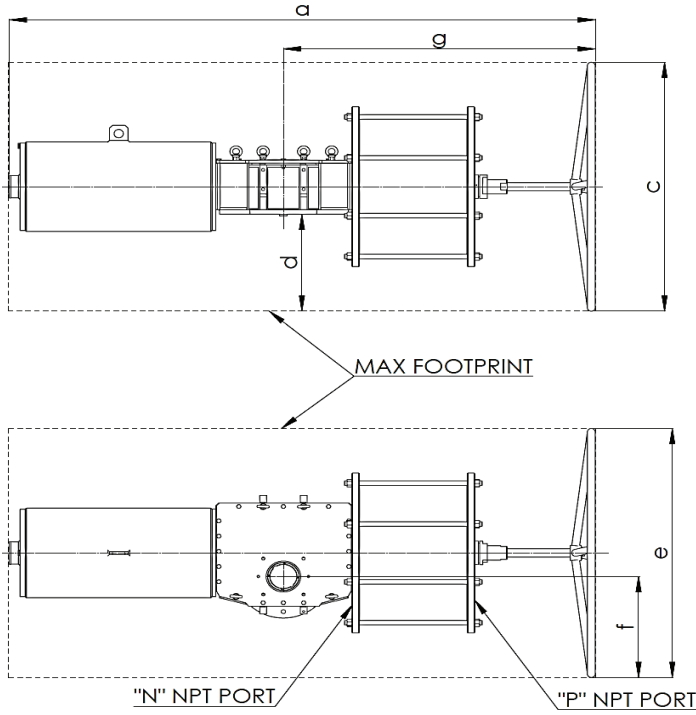


Figure 11: Fail Open (FO) Configuration

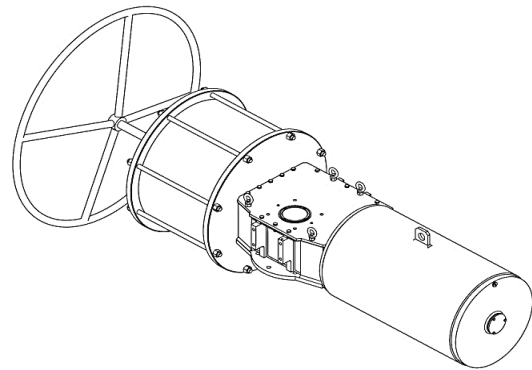
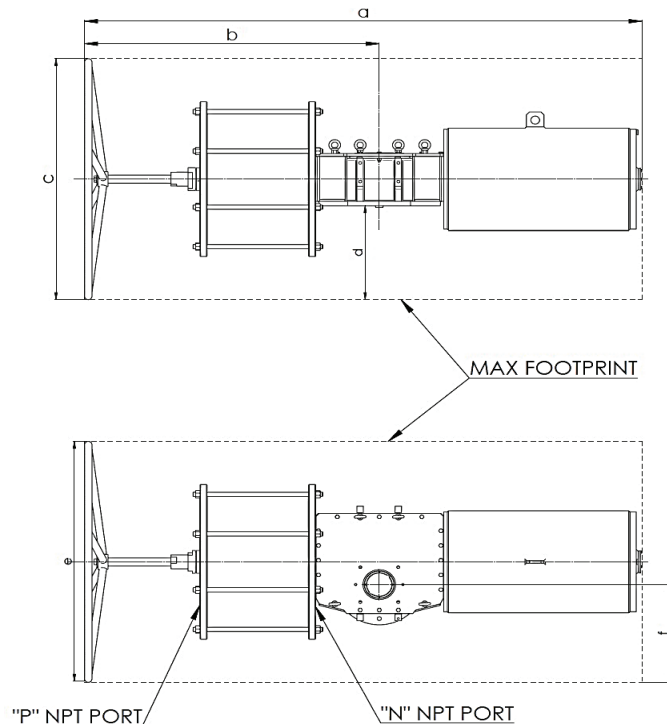


Table 3: LPS Single Acting + Manual Override JL: Dimensional, Weight and Volume Tables

LPS Single Acting MANUAL OVERRIDE JL - Dimensions: mm (in) - Weights: Kg (lbs) - Swept Volumes: l (cu in) - MOT: Nm (ft-lb)													
Model		a*	b*	c	d	e	f	g*	"P" NPT PORT	"N" NPT PORT	Weight	Swept Volume*	MOT
LPS-15X-255Y-FC2-1-JL	LPS-15X-255Y-F02-1-JL	1573	867	422	105	400	135	877	1/2"	1/2"	205	9.2	6000
		61.9	34.1	16.6	4.1	15.7	5.3	34.5			452	561	4425
LPS-15X-285Y-FC2-1-JL	LPS-15X-285Y-F02-1-JL	1573	867	422	105	400	135	877	1/2"	1/2"	224	11.6	6000
		61.9	34.1	16.6	4.1	15.7	5.3	34.5			494	708	4425
LPS-15X-300Y-FC2-1-JL	LPS-15X-300Y-F02-1-JL	1578	872	422	105	400	135	882	1"	1/2"	234	12.8	6000
		62.1	34.3	16.6	4.1	15.7	5.3	34.7			516	781	4425
LPS-15X-335Y-FC2-1-JL	LPS-15X-335Y-F02-1-JL	1573	867	430	112	415	143	877	1"	1/2"	254	16.0	6000
		61.9	34.1	16.9	4.4	16.3	5.6	34.5			560	976	4425
LPS-15X-360Y-FC2-1-JL	LPS-15X-360Y-F02-1-JL	1573	867	444	126	443	157	877	1"	1/2"	271	18.4	6000
		61.9	34.1	17.5	5.0	17.4	6.2	34.5			597	1123	4425
LPS-15X-385Y-FC2-1-JL	LPS-15X-385Y-F02-1-JL	1573	867	469	139	469	170	877	1"	1/2"	285	21.1	6000
		61.9	34.1	18.5	5.5	18.5	6.7	34.5			628	1288	4425
LPS-15X-255Y-FC3-1-JL	LPS-15X-255Y-F03-1-JL	1583	877	600	205	600	235	887	1/2"	1/2"	208	9.2	6000
		62.3	34.5	23.6	8.1	23.6	9.3	34.9			459	561	4425
LPS-15X-285Y-FC3-1-JL	LPS-15X-285Y-F03-1-JL	1583	877	600	205	600	235	887	1/2"	1/2"	227	11.6	6000
		62.3	34.5	23.6	8.1	23.6	9.3	34.9			500	708	4425
LPS-15X-300Y-FC3-1-JL	LPS-15X-300Y-F03-1-JL	1588	882	600	205	600	235	892	1"	1/2"	237	12.8	6000
		62.5	34.7	23.6	8.1	23.6	9.3	35.1			522	781	4425
LPS-15X-335Y-FC3-1-JL	LPS-15X-335Y-F03-1-JL	1583	877	600	205	600	235	887	1"	1/2"	257	16.0	6000
		62.3	34.5	23.6	8.1	23.6	9.3	34.9			567	976	4425
LPS-15X-360Y-FC3-1-JL	LPS-15X-360Y-F03-1-JL	1583	877	600	205	600	235	887	1"	1/2"	274	18.4	6000
		62.3	34.5	23.6	8.1	23.6	9.3	34.9			604	1123	4425
LPS-15X-385Y-FC3-1-JL	LPS-15X-385Y-F03-1-JL	1583	877	600	205	600	235	887	1"	1/2"	288	21.1	6000
		62.3	34.5	23.6	8.1	23.6	9.3	34.9			635	1288	4425
LPS-15X-255Y-FC3-3-JL	LPS-15X-255Y-F03-3-JL	1593	887	900	359	900	385	897	1/2"	1/2"	226	9.2	6000
		62.7	34.9	35.4	14.1	35.4	15.2	35.3			498	561	4425
LPS-15X-285Y-FC3-3-JL	LPS-15X-285Y-F03-3-JL	1593	887	900	359	900	385	897	1/2"	1/2"	245	11.6	6000
		62.7	34.9	35.4	14.1	35.4	15.2	35.3			540	708	4425
LPS-15X-300Y-FC3-3-JL	LPS-15X-300Y-F03-3-JL	1598	892	900	359	900	385	902	1"	1/2"	255	12.8	6000
		62.9	35.1	35.4	14.1	35.4	15.2	35.5			562	781	4425
LPS-15X-335Y-FC3-3-JL	LPS-15X-335Y-F03-3-JL	1593	887	900	359	900	385	897	1"	1/2"	275	16.0	6000
		62.7	34.9	35.4	14.1	35.4	15.2	35.3			606	976	4425

Limitorque™ LPS Series Actuator

LPS Single Acting MANUAL OVERRIDE JL - Dimensions: mm (in) - Weights: Kg (lbs) - Swept Volumes: l (cu in) - MOT: Nm (ft-lb)													
Model		a*	b*	c	d	e	f	g*	"P" NPT PORT	"N" NPT PORT	Weight	Swept Volume*	MOT
LPS-15X-360Y-FC3-3-JL	LPS-15X-360Y-F03-3-JL	1593	887	900	359	900	385	897	1"	1/2"	292	18.4	6000
		62.7	34.9	35.4	14.1	35.4	15.2	35.3			644	1123	4425
LPS-15X-385Y-FC3-3-JL	LPS-15X-385Y-F03-3-JL	1593	887	900	359	900	385	897	1"	1/2"	306	21.1	6000
		62.7	34.9	35.4	14.1	35.4	15.2	35.3			675	1288	4425
LPS-20X-335Y-FC2-2-JL	LPS-20X-335Y-F02-2-JL	1888	997	600	205	600	215	1000	1"	1/2"	330	20.4	12000
		74.3	39.2	23.6	8.1	23.6	8.5	39.4			728	1245	8851
LPS-20X-360Y-FC2-2-JL	LPS-20X-360Y-F02-2-JL	1888	997	600	205	600	215	1000	1"	1/2"	347	23.6	12000
		74.3	39.2	23.6	8.1	23.6	8.5	39.4			765	1440	8851
LPS-20X-385Y-FC2-2-JL	LPS-20X-385Y-F02-2-JL	1888	997	600	205	600	215	1000	1"	1/2"	362	27.0	12000
		74.3	39.2	23.6	8.1	23.6	8.5	39.4			798	1648	8851
LPS-20X-435Y-FC2-2-JL	LPS-20X-435Y-F02-2-JL	1888	997	600	205	600	215	1000	1"	1"	412	34.4	12000
		74.3	39.2	23.6	8.1	23.6	8.5	39.4			908	2099	8851
LPS-20X-485Y-FC2-2-JL	LPS-20X-485Y-F02-2-JL	1888	997	600	205	600	215	1000	1"	1"	473	42.8	12000
		74.3	39.2	23.6	8.1	23.6	8.5	39.4			1043	2612	8851
LPS-20X-335Y-FC2-3-JL	LPS-20X-335Y-F02-3-JL	1898	1007	900	355	900	365	1010	1"	1/2"	349	20.4	12000
		74.7	39.6	35.4	14.0	35.4	14.4	39.7			769	1245	8851
LPS-20X-360Y-FC2-3-JL	LPS-20X-360Y-F02-3-JL	1898	1007	900	355	900	365	1010	1"	1/2"	366	23.6	12000
		74.7	39.6	35.4	14.0	35.4	14.4	39.7			807	1440	8851
LPS-20X-385Y-FC2-3-JL	LPS-20X-385Y-F02-3-JL	1898	1007	900	355	900	365	1010	1"	1/2"	381	27.0	12000
		74.7	39.6	35.4	14.0	35.4	14.4	39.7			840	1648	8851
LPS-20X-435Y-FC2-3-JL	LPS-20X-435Y-F02-3-JL	1898	1007	900	355	900	365	1010	1"	1"	431	34.4	12000
		74.7	39.6	35.4	14.0	35.4	14.4	39.7			950	2099	8851
LPS-20X-485Y-FC2-3-JL	LPS-20X-485Y-F02-3-JL	1898	1007	900	355	900	365	1010	1"	1"	492	42.8	12000
		74.7	39.6	35.4	14.0	35.4	14.4	39.7			1085	2612	8851
LPS-20X-335Y-FC3-1-JL	LPS-20X-335Y-F03-1-JL	1908	1007	900	355	900	365	1010	1"	1/2"	381	20.4	12000
		75.1	39.6	35.4	14.0	35.4	14.4	39.7			840	1245	8851
LPS-20X-360Y-FC3-1-JL	LPS-20X-360Y-F03-1-JL	1908	1007	900	355	900	365	1010	1"	1/2"	398	23.6	12000
		75.1	39.6	35.4	14.0	35.4	14.4	39.7			877	1440	8851
LPS-20X-385Y-FC3-1-JL	LPS-20X-385Y-F03-1-JL	1908	1007	900	355	900	365	1010	1"	1/2"	413	27.0	12000
		75.1	39.6	35.4	14.0	35.4	14.4	39.7			911	1648	8851
LPS-20X-435Y-FC3-1-JL	LPS-20X-435Y-F03-1-JL	1908	1007	900	355	900	365	1010	1"	1"	463	34.4	12000
		75.1	39.6	35.4	14.0	35.4	14.4	39.7			1021	2099	8851

Limitorque™ LPS Series Actuator

LPS Single Acting MANUAL OVERRIDE JL - Dimensions: mm (in) - Weights: Kg (lbs) - Swept Volumes: l (cu in) - MOT: Nm (ft-lb)													
Model		a*	b*	c	d	e	f	g*	"P" NPT PORT	"N" NPT PORT	Weight	Swept Volume*	MOT
LPS-20X-485Y-FC3-1-JL	LPS-20X-485Y-F03-1-JL	1908	1007	900	355	900	365	1010	1"	1"	524	42.8	12000
		75.1	39.6	35.4	14.0	35.4	14.4	39.7			1155	2612	8851
LPS-20X-335Y-FC3-2-JL	LPS-20X-335Y-F03-2-JL	1908	1007	900	355	900	365	1010	1"	1/2"	398	20.4	12000
		75.1	39.6	35.4	14.0	35.4	14.4	39.7			877	1245	8851
LPS-20X-360Y-FC3-2-JL	LPS-20X-360Y-F03-2-JL	1908	1007	900	355	900	365	1010	1"	1/2"	415	23.6	12000
		75.1	39.6	35.4	14.0	35.4	14.4	39.7			915	1440	8851
LPS-20X-385Y-FC3-2-JL	LPS-20X-385Y-F03-2-JL	1908	1007	900	355	900	365	1010	1"	1/2"	430	27.0	12000
		75.1	39.6	35.4	14.0	35.4	14.4	39.7			948	1648	8851
LPS-20X-435Y-FC3-2-JL	LPS-20X-435Y-F03-2-JL	1908	1007	900	355	900	365	1010	1"	1"	480	34.4	12000
		75.1	39.6	35.4	14.0	35.4	14.4	39.7			1058	2099	8851
LPS-20X-485Y-FC3-2-JL	LPS-20X-485Y-F03-2-JL	1908	1007	900	355	900	365	1010	1"	1"	541	42.8	12000
		75.1	39.6	35.4	14.0	35.4	14.4	39.7			1193	2612	8851
LPS-20X-335Y-FC3-3-JL	LPS-20X-335Y-F03-3-JL	1908	1007	900	355	900	365	1010	1"	1/2"	403	20.4	12000
		75.1	39.6	35.4	14.0	35.4	14.4	39.7			888	1245	8851
LPS-20X-360Y-FC3-3-JL	LPS-20X-360Y-F03-3-JL	1908	1007	900	355	900	365	1010	1"	1/2"	420	23.6	12000
		75.1	39.6	35.4	14.0	35.4	14.4	39.7			926	1440	8851
LPS-20X-385Y-FC3-3-JL	LPS-20X-385Y-F03-3-JL	1908	1007	900	355	900	365	1010	1"	1/2"	435	27.0	12000
		75.1	39.6	35.4	14.0	35.4	14.4	39.7			959	1648	8851
LPS-20X-435Y-FC3-3-JL	LPS-20X-435Y-F03-3-JL	1908	1007	900	355	900	365	1010	1"	1"	485	34.4	12000
		75.1	39.6	35.4	14.0	35.4	14.4	39.7			1069	2099	8851
LPS-20X-485Y-FC3-3-JL	LPS-20X-485Y-F03-3-JL	1908	1007	900	355	900	365	1010	1"	1"	546	42.8	12000
		75.1	39.6	35.4	14.0	35.4	14.4	39.7			1204	2612	8851

Notes:

* Swept Volume and overall dimensions data are referred to actuators with end stops adjusted for 90° of stroke. Refer to Figure for details of Ports "N" and "P".

Tolerance 5% to be considered on dimensions and weight

LPS Single Acting + Manual Override BG: Dimensional, Weight and Volume Tables

Figure 12: Fail Close (FC) Configuration

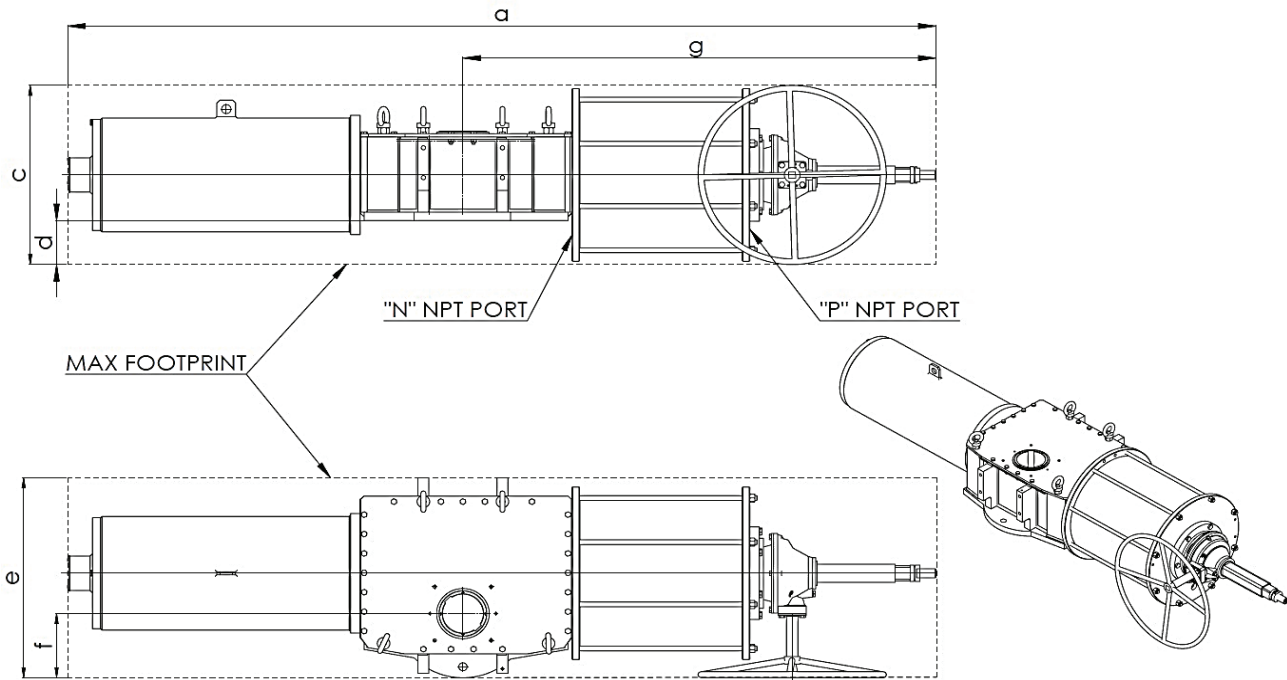


Figure 13: Fail Open (FO) Configuration

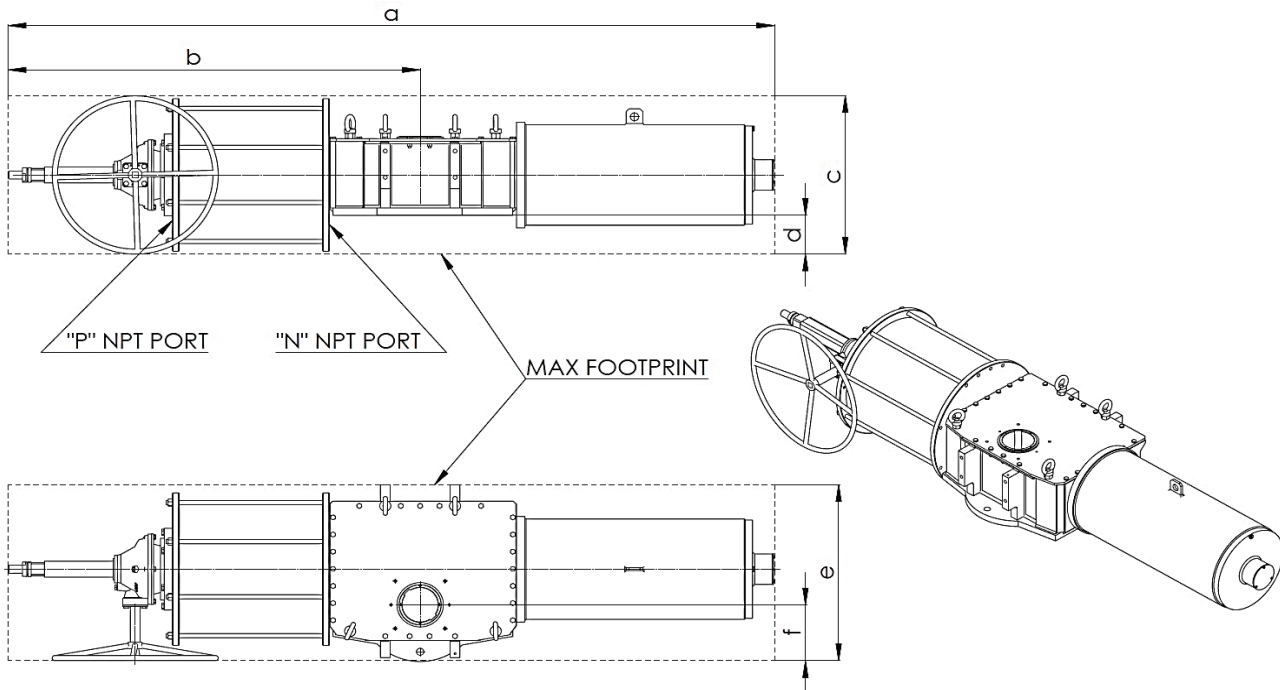


Table 4: LPS Single Acting + Manual Override BG: Dimensional, Weight and Volume Tables

LPS Single Acting MANUAL OVERRIDE BG - Dimensions: mm (in) - Weights: Kg (lbs) - Swept Volumes: l (cu in) - MOT: Nm (ft-lb)													
Model		a*	b*	c	d	e	f	g*	"P" NPT PORT	"N" NPT PORT	Weight	Swept Volume*	MOT
LPS-25X-435Y-FC2-3-BG	LPS-25X-435Y-F02-3-BG	2351	1319	900	332	626	258	1337	1"	1"	604	42.1	21000
		92.5	51.9	35.4	13.1	24.6	10.2	52.6			1332	2569	15489
LPS-25X-485Y-FC2-3-BG	LPS-25X-485Y-F02-3-BG	2351	1319	900	332	678	284	1337	1"	1"	667	52.3	21000
		92.5	51.9	35.4	13.1	26.7	11.2	52.6			1470	3192	15489
LPS-25X-535Y-FC2-3-BG	LPS-25X-535Y-F02-3-BG	2352	1320	900	332	731	311	1338	1"	1"	716	63.7	21000
		92.6	51.9	35.4	13.1	28.8	12.2	52.7			1579	3887	15489
LPS-25X-585Y-FC2-3-BG	LPS-25X-585Y-F02-3-BG	2351	1319	900	332	783	337	1337	1"	1"	810	76.1	21000
		92.5	51.9	35.4	13.1	30.8	13.2	52.6			1786	4644	15489
LPS-25X-435Y-FC3-4-BG	LPS-25X-435Y-F03-4-BG	2390	1319	900	332	626	258	1337	1"	1"	636	42.1	21000
		94.1	51.9	35.4	13.1	24.6	10.2	52.6			1402	2569	15489
LPS-25X-485Y-FC3-4-BG	LPS-25X-485Y-F03-4-BG	2390	1319	900	332	678	284	1337	1"	1"	699	52.3	21000
		94.1	51.9	35.4	13.1	26.7	11.2	52.6			1541	3192	15489
LPS-25X-535Y-FC3-4-BG	LPS-25X-535Y-F03-4-BG	2391	1320	900	332	731	311	1338	1"	1"	748	63.7	21000
		94.1	51.9	35.4	13.1	28.8	12.2	52.7			1649	3887	15489
LPS-25X-585Y-FC3-4-BG	LPS-25X-585Y-F03-4-BG	2390	1319	900	332	783	337	1337	1"	1"	842	76.1	21000
		94.1	51.9	35.4	13.1	30.8	13.2	52.6			1856	4644	15489
LPS-25X-435Y-FC4-2-BG	LPS-25X-435Y-F04-2-BG	2420	1319	900	332	626	258	1337	1"	1"	678	42.1	21000
		95.3	51.9	35.4	13.1	24.6	10.2	52.6			1495	2569	15489
LPS-25X-485Y-FC4-2-BG	LPS-25X-485Y-F04-2-BG	2420	1319	900	332	678	284	1337	1"	1"	741	52.3	21000
		95.3	51.9	35.4	13.1	26.7	11.2	52.6			1634	3192	15489
LPS-25X-535Y-FC4-2-BG	LPS-25X-535Y-F04-2-BG	2421	1320	900	332	731	311	1338	1"	1"	790	63.7	21000
		95.3	51.9	35.4	13.1	28.8	12.2	52.7			1742	3887	15489
LPS-25X-585Y-FC4-2-BG	LPS-25X-585Y-F04-2-BG	2420	1319	900	332	783	337	1337	1"	1"	884	76.1	21000
		95.3	51.9	35.4	13.1	30.8	13.2	52.6			1949	4644	15489
LPS-25X-435Y-FC4-3-BG	LPS-25X-435Y-F04-3-BG	2420	1319	900	332	626	258	1337	1"	1"	691	42.1	21000
		95.3	51.9	35.4	13.1	24.6	10.2	52.6			1523	2569	15489
LPS-25X-485Y-FC4-3-BG	LPS-25X-485Y-F04-3-BG	2420	1319	900	332	678	284	1337	1"	1"	754	52.3	21000
		95.3	51.9	35.4	13.1	26.7	11.2	52.6			1662	3192	15489
LPS-25X-535Y-FC4-3-BG	LPS-25X-535Y-F04-3-BG	2421	1320	900	332	731	311	1338	1"	1"	803	63.7	21000
		95.3	51.9	35.4	13.1	28.8	12.2	52.7			1770	3887	15489
LPS-25X-585Y-FC4-3-BG	LPS-25X-585Y-F04-3-BG	2420	1319	900	332	783	337	1337	1"	1"	897	76.1	21000
		95.3	51.9	35.4	13.1	30.8	13.2	52.6			1978	4644	15489

LPS Single Acting MANUAL OVERRIDE BG - Dimensions: mm (in) - Weights: Kg (lbs) - Swept Volumes: l (cu in) - MOT: Nm (ft-lb)													
Model		a*	b*	c	d	e	f	g*	"P" NPT PORT	"N" NPT PORT	Weight	Swept Volume*	MOT
LPS-25X-435Y-FC5-1-BG	LPS-25X-435Y-F05-1-BG	2474	1319	900	332	626	258	1337	1"	1"	794	42.1	21000
		97.4	51.9	35.4	13.1	24.6	10.2	52.6			1750	2569	15489
LPS-25X-485Y-FC5-1-BG	LPS-25X-485Y-F05-1-BG	2474	1319	900	332	678	284	1337	1"	1"	857	52.3	21000
		97.4	51.9	35.4	13.1	26.7	11.2	52.6			1889	3192	15489
LPS-25X-535Y-FC5-1-BG	LPS-25X-535Y-F05-1-BG	2475	1320	900	332	731	311	1338	1"	1"	906	63.7	21000
		97.4	51.9	35.4	13.1	28.8	12.2	52.7			1997	3887	15489
LPS-25X-585Y-FC5-1-BG	LPS-25X-585Y-F05-1-BG	2474	1319	900	332	783	337	1337	1"	1"	1000	76.1	21000
		97.4	51.9	35.4	13.1	30.8	13.2	52.6			2205	4644	15489
LPS-25X-435Y-FC5-2-BG	LPS-25X-435Y-F05-2-BG	2474	1319	900	332	626	258	1337	1"	1"	803	42.1	21000
		97.4	51.9	35.4	13.1	24.6	10.2	52.6			1770	2569	15489
LPS-25X-485Y-FC5-2-BG	LPS-25X-485Y-F05-2-BG	2474	1319	900	332	678	284	1337	1"	1"	866	52.3	21000
		97.4	51.9	35.4	13.1	26.7	11.2	52.6			1909	3192	15489
LPS-25X-535Y-FC5-2-BG	LPS-25X-535Y-F05-2-BG	2475	1320	900	332	731	311	1338	1"	1"	915	63.7	21000
		97.4	51.9	35.4	13.1	28.8	12.2	52.7			2017	3887	15489
LPS-25X-585Y-FC5-2-BG	LPS-25X-585Y-F05-2-BG	2474	1319	900	332	783	337	1337	1"	1"	1009	76.1	21000
		97.4	51.9	35.4	13.1	30.8	13.2	52.6			2224	4644	15489
LPS-30X-535Y-FC2-3-BG	LPS-30X-535Y-F02-3-BG	2768	1487	900	297	735	281	1507	1"	1"	1006	80.7	40500
		109.0	58.5	35.4	11.7	28.9	11.1	59.3			2218	4925	29871
LPS-30X-585Y-FC2-3-BG	LPS-30X-585Y-F02-3-BG	2768	1487	900	297	783	307	1507	1"	1"	1092	96.5	40500
		109.0	58.5	35.4	11.7	30.8	12.1	59.3			2407	5889	29871
LPS-30X-635Y-FC2-3-BG	LPS-30X-635Y-F02-3-BG	2768	1487	900	297	845	338	1507	1"	1"	1189	113.7	40500
		109.0	58.5	35.4	11.7	33.3	13.3	59.3			2621	6938	29871
LPS-30X-685Y-FC2-3-BG	LPS-30X-685Y-F02-3-BG	2768	1487	900	297	895	363	1507	1"	1"	1313	132.3	40500
		109.0	58.5	35.4	11.7	35.2	14.3	59.3			2895	8073	29871
LPS-30X-535Y-FC4-2-BG	LPS-30X-535Y-F04-2-BG	2813	1487	900	297	735	281	1507	1"	1"	1121	80.7	40500
		110.7	58.5	35.4	11.7	28.9	11.1	59.3			2471	4925	29871
LPS-30X-585Y-FC4-2-BG	LPS-30X-585Y-F04-2-BG	2813	1487	900	297	783	307	1507	1"	1"	1207	96.5	40500
		110.7	58.5	35.4	11.7	30.8	12.1	59.3			2661	5889	29871
LPS-30X-635Y-FC4-2-BG	LPS-30X-635Y-F04-2-BG	2813	1487	900	297	845	338	1507	1"	1"	1304	113.7	40500
		110.7	58.5	35.4	11.7	33.3	13.3	59.3			2875	6938	29871
LPS-30X-685Y-FC4-2-BG	LPS-30X-685Y-F04-2-BG	2813	1487	900	297	895	363	1507	1"	1"	1428	132.3	40500
		110.7	58.5	35.4	11.7	35.2	14.3	59.3			3148	8073	29871

Limitorque™ LPS Series Actuator

LPS Single Acting MANUAL OVERRIDE BG - Dimensions: mm (in) - Weights: Kg (lbs) - Swept Volumes: l (cu in) - MOT: Nm (ft-lb)													
Model		a*	b*	c	d	e	f	g*	"P" NPT PORT	"N" NPT PORT	Weight	Swept Volume*	MOT
LPS-30X-535Y-FC4-4-BG	LPS-30X-535Y-F04-4-BG	2813	1487	900	297	735	281	1507	1"	1"	1136	80.7	40500
		110.7	58.5	35.4	11.7	28.9	11.1	59.3			2504	4925	29871
LPS-30X-585Y-FC4-4-BG	LPS-30X-585Y-F04-4-BG	2813	1487	900	297	783	307	1507	1"	1"	1222	96.5	40500
		110.7	58.5	35.4	11.7	30.8	12.1	59.3			2694	5889	29871
LPS-30X-635Y-FC4-4-BG	LPS-30X-635Y-F04-4-BG	2813	1487	900	297	845	338	1507	1"	1"	1319	113.7	40500
		110.7	58.5	35.4	11.7	33.3	13.3	59.3			2908	6938	29871
LPS-30X-685Y-FC4-4-BG	LPS-30X-685Y-F04-4-BG	2813	1487	900	297	895	363	1507	1"	1"	1443	132.3	40500
		110.7	58.5	35.4	11.7	35.2	14.3	59.3			3181	8073	29871
LPS-30X-535Y-FC4-5-BG	LPS-30X-535Y-F04-5-BG	2813	1487	900	297	735	281	1507	1"	1"	1144	80.7	40500
		110.7	58.5	35.4	11.7	28.9	11.1	59.3			2522	4925	29871
LPS-30X-585Y-FC4-5-BG	LPS-30X-585Y-F04-5-BG	2813	1487	900	297	783	307	1507	1"	1"	1230	96.5	40500
		110.7	58.5	35.4	11.7	30.8	12.1	59.3			2712	5889	29871
LPS-30X-635Y-FC4-5-BG	LPS-30X-635Y-F04-5-BG	2813	1487	900	297	845	338	1507	1"	1"	1327	113.7	40500
		110.7	58.5	35.4	11.7	33.3	13.3	59.3			2926	6938	29871
LPS-30X-685Y-FC4-5-BG	LPS-30X-685Y-F04-5-BG	2813	1487	900	297	895	363	1507	1"	1"	1451	132.3	40500
		110.7	58.5	35.4	11.7	35.2	14.3	59.3			3199	8073	29871
LPS-30X-535Y-FC5-2-BG	LPS-30X-535Y-F05-2-BG	3700	1507	900	297	735	281	1877	1"	1"	1433	80.7	40500
		145.7	59.3	35.4	11.7	28.9	11.1	73.9			3159	4925	29871
LPS-30X-585Y-FC5-2-BG	LPS-30X-585Y-F05-2-BG	3700	1507	900	297	783	307	1877	1"	1"	1519	96.5	40500
		145.7	59.3	35.4	11.7	30.8	12.1	73.9			3349	5889	29871
LPS-30X-635Y-FC5-2-BG	LPS-30X-635Y-F05-2-BG	3700	1507	900	297	845	338	1877	1"	1"	1616	113.7	40500
		145.7	59.3	35.4	11.7	33.3	13.3	73.9			3563	6938	29871
LPS-30X-685Y-FC5-2-BG	LPS-30X-685Y-F05-2-BG	3700	1507	900	297	895	363	1877	1"	1"	1740	132.3	40500
		145.7	59.3	35.4	11.7	35.2	14.3	73.9			3836	8073	29871
LPS-30X-535Y-FC5-3-BG	LPS-30X-535Y-F05-3-BG	3700	1507	900	297	735	281	1877	1"	1"	1433	80.7	40500
		145.7	59.3	35.4	11.7	28.9	11.1	73.9			3159	4925	29871
LPS-30X-585Y-FC5-3-BG	LPS-30X-585Y-F05-3-BG	3700	1507	900	297	783	307	1877	1"	1"	1519	96.5	40500
		145.7	59.3	35.4	11.7	30.8	12.1	73.9			3349	5889	29871
LPS-30X-635Y-FC5-3-BG	LPS-30X-635Y-F05-3-BG	3700	1507	900	297	845	338	1877	1"	1"	1616	113.7	40500
		145.7	59.3	35.4	11.7	33.3	13.3	73.9			3563	6938	29871
LPS-30X-685Y-FC5-3-BG	LPS-30X-685Y-F05-3-BG	3700	1507	900	297	895	363	1877	1"	1"	1740	132.3	40500
		145.7	59.3	35.4	11.7	35.2	14.3	73.9			3836	8073	29871

Notes:

* Swept Volume and overall dimensions data are referred to actuators with end stops adjusted for 90° of stroke. Refer to Figure for details of Ports "N" and "P".

Tolerance 5% to be considered on dimensions and weight

LPS Single Acting + Manual Override JS: Dimensional, Weight and Volume Tables

Figure 14: Fail Close (FC) Configuration

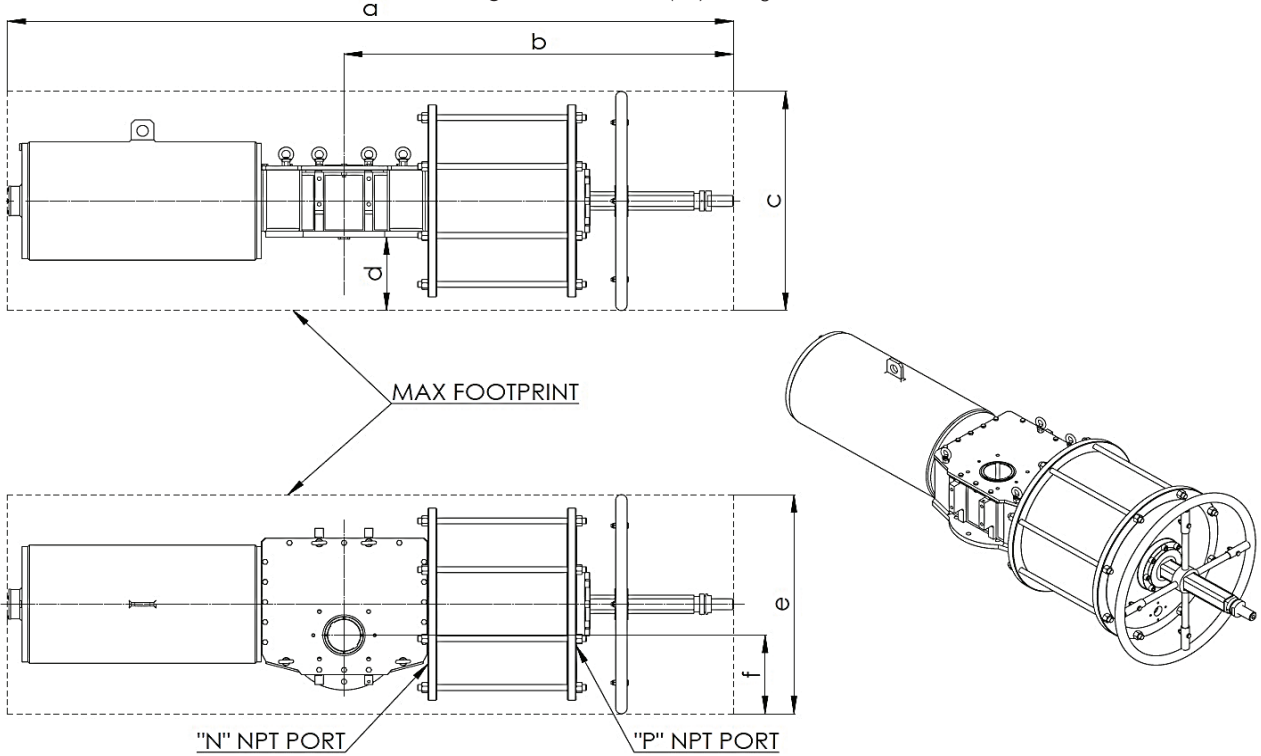


Figure 135 Fail Open (FO) Configuration

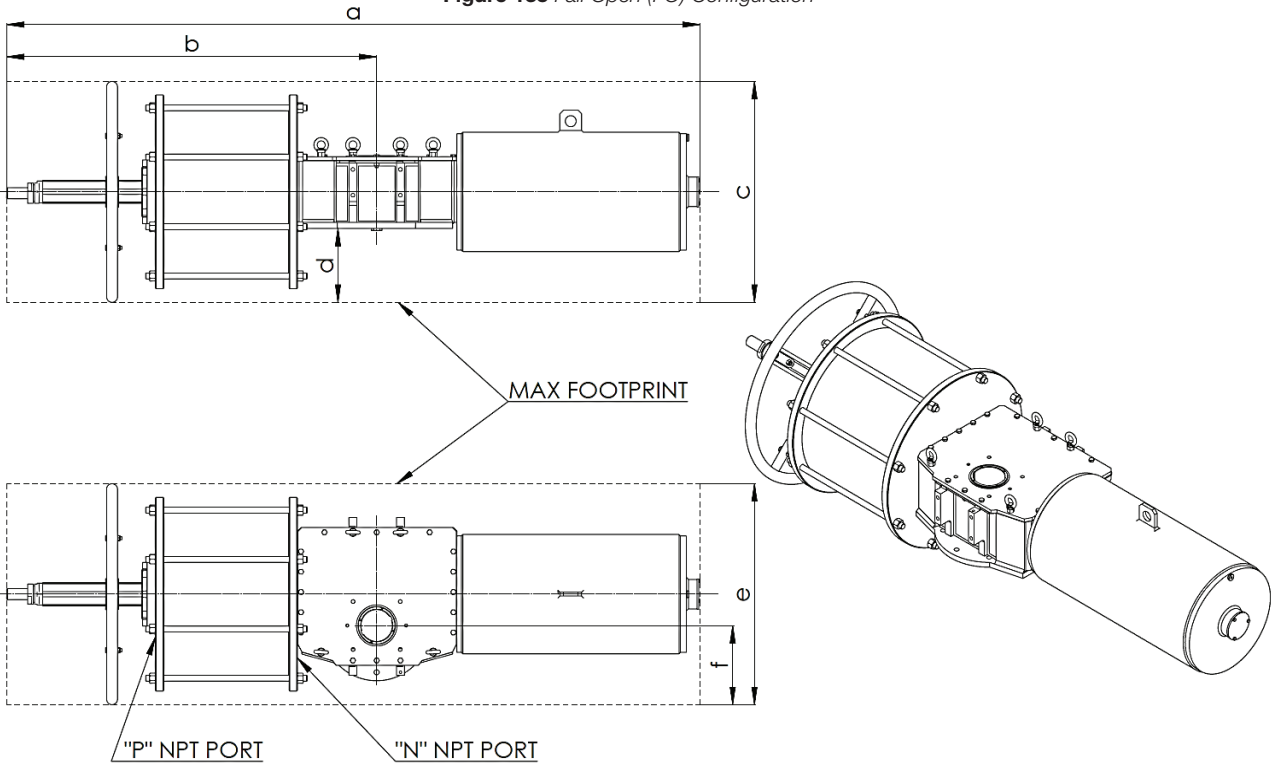


Table 5: LPS Single Acting + Manual Override JS: Dimensional, Weight and Volume Tables

LPS Single Acting MANUAL OVERRIDE JS - Dimensions: mm (in) - Weights: Kg (lbs) - Swept Volumes: l (cu in) - MOT: Nm (ft-lb)													
Model		a*	b*	c	d	e	f	g*	"P" NPT PORT	"N" NPT PORT	Weight	Swept Volume*	MOT
LPS-15X-255Y-FC2-1-JS	LPS-15X-255Y-F02-1-JS	1549	843	422	109	400	135	853	1/2"	1/2"	216	9.2	6000
		61.0	33.2	16.6	4.3	15.7	5.3	33.6			476	561	4425
LPS-15X-285Y-FC2-1-JS	LPS-15X-285Y-F02-1-JS	1549	843	422	109	400	135	853	1/2"	1/2"	235	11.6	6000
		61.0	33.2	16.6	4.3	15.7	5.3	33.6			518	708	4425
LPS-15X-300Y-FC2-1-JS	LPS-15X-300Y-F02-1-JS	1554	848	422	109	400	135	858	1"	1/2"	245	12.8	6000
		61.2	33.4	16.6	4.3	15.7	5.3	33.8			540	781	4425
LPS-15X-335Y-FC2-1-JS	LPS-15X-335Y-F02-1-JS	1549	843	430	112	415	143	853	1"	1/2"	265	16	6000
		61.0	33.2	16.9	4.4	16.3	5.6	33.6			584	976	4425
LPS-15X-360Y-FC2-1-JS	LPS-15X-360Y-F02-1-JS	1549	843	444	126	443	157	853	1"	1/2"	282	18.4	6000
		61.0	33.2	17.5	5.0	17.4	6.2	33.6			622	1123	4425
LPS-15X-385Y-FC2-1-JS	LPS-15X-385Y-F02-1-JS	1549	843	469	139	469	170	853	1"	1/2"	296	21.1	6000
		61.0	33.2	18.5	5.5	18.5	6.7	33.6			653	1288	4425
LPS-15X-255Y-FC3-1-JS	LPS-15X-255Y-F03-1-JS	1549	843	600	209	600	235	853	1/2"	1/2"	219	9.2	6000
		61.0	33.2	23.6	8.2	23.6	9.3	33.6			483	561	4425
LPS-15X-285Y-FC3-1-JS	LPS-15X-285Y-F03-1-JS	1549	843	600	209	600	235	853	1/2"	1/2"	238	11.6	6000
		61.0	33.2	23.6	8.2	23.6	9.3	33.6			525	708	4425
LPS-15X-300Y-FC3-1-JS	LPS-15X-300Y-F03-1-JS	1554	848	600	209	600	235	858	1"	1/2"	248	12.8	6000
		61.2	33.4	23.6	8.2	23.6	9.3	33.8			547	781	4425
LPS-15X-335Y-FC3-1-JS	LPS-15X-335Y-F03-1-JS	1549	843	600	209	600	235	853	1"	1/2"	268	16	6000
		61.0	33.2	23.6	8.2	23.6	9.3	33.6			591	976	4425
LPS-15X-360Y-FC3-1-JS	LPS-15X-360Y-F03-1-JS	1549	843	600	209	600	235	853	1"	1/2"	285	18.4	6000
		61.0	33.2	23.6	8.2	23.6	9.3	33.6			628	1123	4425
LPS-15X-385Y-FC3-1-JS	LPS-15X-385Y-F03-1-JS	1549	843	600	209	600	235	853	1"	1/2"	299	21.1	6000
		61.0	33.2	23.6	8.2	23.6	9.3	33.6			659	1288	4425
LPS-15X-255Y-FC3-3-JS	LPS-15X-255Y-F03-3-JS	1549	843	900	359	900	385	853	1/2"	1/2"	237	9.2	6000
		61.0	33.2	35.4	14.1	35.4	15.2	33.6			522	561	4425
LPS-15X-285Y-FC3-3-JS	LPS-15X-285Y-F03-3-JS	1549	843	900	359	900	385	853	1/2"	1/2"	256	11.6	6000
		61.0	33.2	35.4	14.1	35.4	15.2	33.6			564	708	4425
LPS-15X-300Y-FC3-3-JS	LPS-15X-300Y-F03-3-JS	1554	848	900	359	900	385	858	1"	1/2"	266	12.8	6000
		61.2	33.4	35.4	14.1	35.4	15.2	33.8			586	781	4425
LPS-15X-335Y-FC3-3-JS	LPS-15X-335Y-F03-3-JS	1549	843	900	359	900	385	853	1"	1/2"	286	16	6000
		61.0	33.2	35.4	14.1	35.4	15.2	33.6			631	976	4425

Limitorque™ LPS Series Actuator

LPS Single Acting MANUAL OVERRIDE JS - Dimensions: mm (in) - Weights: Kg (lbs) - Swept Volumes: l (cu in) - MOT: Nm (ft-lb)													
Model		a*	b*	c	d	e	f	g*	"P" NPT PORT	"N" NPT PORT	Weight	Swept Volume*	MOT
LPS-15X-360Y-FC3-3-JS	LPS-15X-360Y-F03-3-JS	1549	843	900	359	900	385	853	1"	1/2"	303	18.4	6000
		61.0	33.2	35.4	14.1	35.4	15.2	33.6			668	1123	4425
LPS-15X-385Y-FC3-3-JS	LPS-15X-385Y-F03-3-JS	1549	843	900	359	900	385	853	1"	1/2"	317	21.1	6000
		61.0	33.2	35.4	14.1	35.4	15.2	33.6			699	1288	4425
LPS-20X-335Y-FC2-2-JS	LPS-20X-335Y-F02-2-JS	1854	963	600	197	600	215	966	1"	1/2"	341	20.4	12000
		73.0	37.9	23.6	7.8	23.6	8.5	38.0			752	1245	8851
LPS-20X-360Y-FC2-2-JS	LPS-20X-360Y-F02-2-JS	1854	963	600	197	600	215	966	1"	1/2"	358	23.6	12000
		73.0	37.9	23.6	7.8	23.6	8.5	38.0			789	1440	8851
LPS-20X-385Y-FC2-2-JS	LPS-20X-385Y-F02-2-JS	1854	963	600	197	600	215	966	1"	1/2"	373	27	12000
		73.0	37.9	23.6	7.8	23.6	8.5	38.0			822	1648	8851
LPS-20X-435Y-FC2-2-JS	LPS-20X-435Y-F02-2-JS	1854	963	600	197	600	215	966	1"	1"	423	34.4	12000
		73.0	37.9	23.6	7.8	23.6	8.5	38.0			933	2099	8851
LPS-20X-485Y-FC2-2-JS	LPS-20X-485Y-F02-2-JS	1854	963	600	197	600	215	966	1"	1"	484	42.8	12000
		73.0	37.9	23.6	7.8	23.6	8.5	38.0			1067	2612	8851
LPS-20X-335Y-FC2-3-JS	LPS-20X-335Y-F02-3-JS	1854	963	900	347	900	365	966	1"	1/2"	360	20.4	12000
		73.0	37.9	35.4	13.7	35.4	14.4	38.0			794	1245	8851
LPS-20X-360Y-FC2-3-JS	LPS-20X-360Y-F02-3-JS	1854	963	900	347	900	365	966	1"	1/2"	377	23.6	12000
		73.0	37.9	35.4	13.7	35.4	14.4	38.0			831	1440	8851
LPS-20X-385Y-FC2-3-JS	LPS-20X-385Y-F02-3-JS	1854	963	900	347	900	365	966	1"	1/2"	392	27	12000
		73.0	37.9	35.4	13.7	35.4	14.4	38.0			864	1648	8851
LPS-20X-435Y-FC2-3-JS	LPS-20X-435Y-F02-3-JS	1854	963	900	347	900	365	966	1"	1"	442	34.4	12000
		73.0	37.9	35.4	13.7	35.4	14.4	38.0			974	2099	8851
LPS-20X-485Y-FC2-3-JS	LPS-20X-485Y-F02-3-JS	1854	963	900	347	900	365	966	1"	1"	503	42.8	12000
		73.0	37.9	35.4	13.7	35.4	14.4	38.0			1109	2612	8851
LPS-20X-335Y-FC3-1-JS	LPS-20X-335Y-F03-1-JS	1864	963	900	347	900	365	966	1"	1/2"	392	20.4	12000
		73.4	37.9	35.4	13.7	35.4	14.4	38.0			864	1245	8851
LPS-20X-360Y-FC3-1-JS	LPS-20X-360Y-F03-1-JS	1864	963	900	347	900	365	966	1"	1/2"	409	23.6	12000
		73.4	37.9	35.4	13.7	35.4	14.4	38.0			902	1440	8851
LPS-20X-385Y-FC3-1-JS	LPS-20X-385Y-F03-1-JS	1864	963	900	347	900	365	966	1"	1/2"	424	27	12000
		73.4	37.9	35.4	13.7	35.4	14.4	38.0			935	1648	8851
LPS-20X-435Y-FC3-1-JS	LPS-20X-435Y-F03-1-JS	1864	963	900	347	900	365	966	1"	1"	474	34.4	12000
		73.4	37.9	35.4	13.7	35.4	14.4	38.0			1045	2099	8851

Limitorque™ LPS Series Actuator

LPS Single Acting MANUAL OVERRIDE JS - Dimensions: mm (in) - Weights: Kg (lbs) - Swept Volumes: l (cu in) - MOT: Nm (ft-lb)													
Model		a*	b*	c	d	e	f	g*	"P" NPT PORT	"N" NPT PORT	Weight	Swept Volume*	MOT
LPS-20X-485Y-FC3-1-JS	LPS-20X-485Y-F03-1-JS	1864	963	900	347	900	365	966	1"	1"	535	42.8	12000
		73.4	37.9	35.4	13.7	35.4	14.4	38.0			1179	2612	8851
LPS-20X-335Y-FC3-2-JS	LPS-20X-335Y-F03-2-JS	1864	963	900	347	900	365	966	1"	1/2"	409	20.4	12000
		73.4	37.9	35.4	13.7	35.4	14.4	38.0			902	1245	8851
LPS-20X-360Y-FC3-2-JS	LPS-20X-360Y-F03-2-JS	1864	963	900	347	900	365	966	1"	1/2"	426	23.6	12000
		73.4	37.9	35.4	13.7	35.4	14.4	38.0			939	1440	8851
LPS-20X-385Y-FC3-2-JS	LPS-20X-385Y-F03-2-JS	1864	963	900	347	900	365	966	1"	1/2"	441	27	12000
		73.4	37.9	35.4	13.7	35.4	14.4	38.0			972	1648	8851
LPS-20X-435Y-FC3-2-JS	LPS-20X-435Y-F03-2-JS	1864	963	900	347	900	365	966	1"	1"	491	34.4	12000
		73.4	37.9	35.4	13.7	35.4	14.4	38.0			1082	2099	8851
LPS-20X-485Y-FC3-2-JS	LPS-20X-485Y-F03-2-JS	1864	963	900	347	900	365	966	1"	1"	552	42.8	12000
		73.4	37.9	35.4	13.7	35.4	14.4	38.0			1217	2612	8851
LPS-20X-335Y-FC3-3-JS	LPS-20X-335Y-F03-3-JS	1864	963	900	347	900	365	966	1"	1/2"	414	20.4	12000
		73.4	37.9	35.4	13.7	35.4	14.4	38.0			913	1245	8851
LPS-20X-360Y-FC3-3-JS	LPS-20X-360Y-F03-3-JS	1864	963	900	347	900	365	966	1"	1/2"	431	23.6	12000
		73.4	37.9	35.4	13.7	35.4	14.4	38.0			950	1440	8851
LPS-20X-385Y-FC3-3-JS	LPS-20X-385Y-F03-3-JS	1864	963	900	347	900	365	966	1"	1/2"	446	27	12000
		73.4	37.9	35.4	13.7	35.4	14.4	38.0			983	1648	8851
LPS-20X-435Y-FC3-3-JS	LPS-20X-435Y-F03-3-JS	1864	963	900	347	900	365	966	1"	1"	496	34.4	12000
		73.4	37.9	35.4	13.7	35.4	14.4	38.0			1093	2099	8851
LPS-20X-485Y-FC3-3-JS	LPS-20X-485Y-F03-3-JS	1864	963	900	347	900	365	966	1"	1"	557	42.8	12000
		73.4	37.9	35.4	13.7	35.4	14.4	38.0			1228	2612	8851
LPS-20X-335Y-FC4-2-JS	LPS-20X-335Y-F04-2-JS	1967	963	900	355	900	365	966	1"	1/2"	496	20.4	12000
		77.4	37.9	35.4	14.0	35.4	14.4	38.0			1093	1245	8851
LPS-20X-360Y-FC4-2-JS	LPS-20X-360Y-F04-2-JS	1967	963	900	355	900	365	966	1"	1/2"	513	23.6	12000
		77.4	37.9	35.4	14.0	35.4	14.4	38.0			1131	1440	8851
LPS-20X-385Y-FC4-2-JS	LPS-20X-385Y-F04-2-JS	1967	963	900	355	900	365	966	1"	1/2"	528	27	12000
		77.4	37.9	35.4	14.0	35.4	14.4	38.0			1164	1648	8851
LPS-20X-435Y-FC4-2-JS	LPS-20X-435Y-F04-2-JS	1967	963	900	355	900	365	966	1"	1"	578	34.4	12000
		77.4	37.9	35.4	14.0	35.4	14.4	38.0			1274	2099	8851
LPS-20X-485Y-FC4-2-JS	LPS-20X-485Y-F04-2-JS	1967	963	900	355	900	365	966	1"	1"	639	42.8	12000
		77.4	37.9	35.4	14.0	35.4	14.4	38.0			1409	2612	8851

Notes:

* Swept Volume and overall dimensions data are referred to actuators with end stops adjusted for 90° of stroke. Refer to Figure for details of Ports "N" and "P".

Tolerance 5% to be considered on dimensions and weight

LPS Double Acting + Manual Override JS: Dimensional, Weight and Volume Tables

Figure 16: LPS Double Acting + Manual Override JS

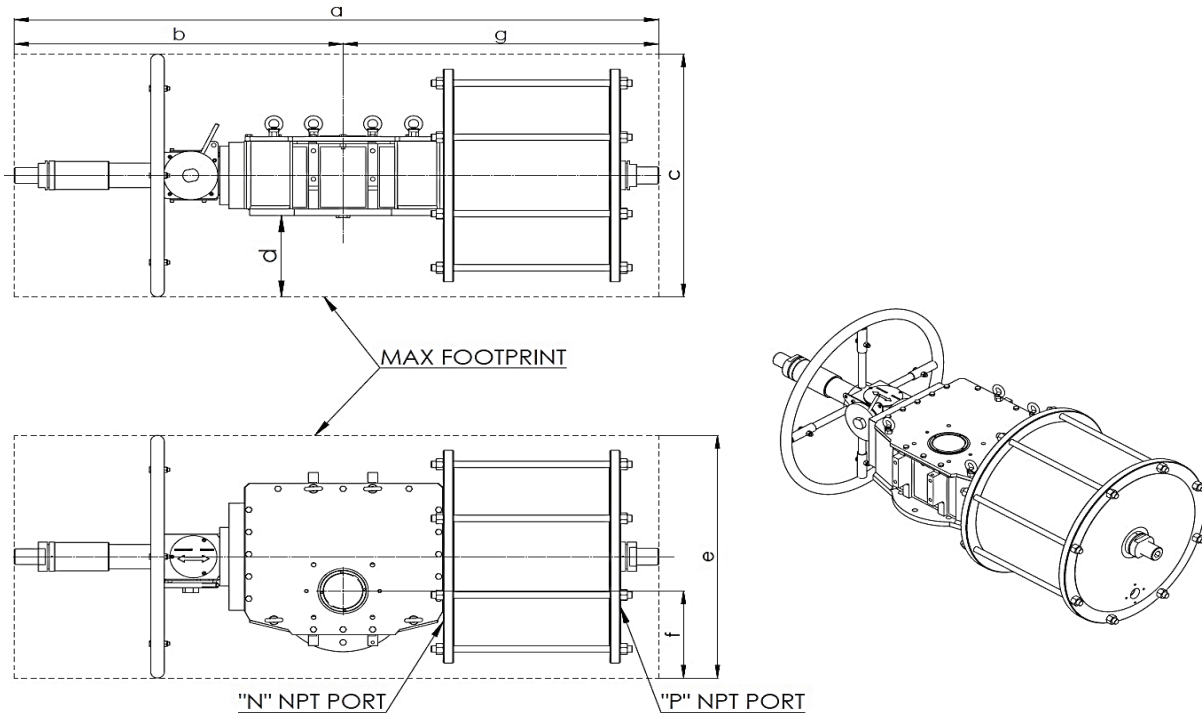


Table 6: LPS Double Acting + Manual Override JS: Dimensional, Weight and Volume Tables

LPS Double Acting MANUAL OVERRIDE JS - Dimensions: mm (in) - Weights: Kg (lbs) - Swept Volumes: l (cu in) - MOT: Nm (ft-lb)													
Model	a*	b*	c	d	e	f	g*	"P" NPT PORT	"N" NPT PORT	Weight	Swept Volume*		MOT
											"P" PORT	"N" PORT	
LPS-15X-255Y-D1-JS	1192	641	400	109	400	135	551	1/2"	1/2"	148	9.2	9.1	6000
	46.9	25.2	15.7	4.3	15.7	5.3	21.7			326	561	555	4425
LPS-15X-285Y-D1-JS	1192	641	400	109	400	135	551	1/2"	1/2"	167	11.6	11.5	6000
	46.9	25.2	15.7	4.3	15.7	5.3	21.7			368	708	702	4425
LPS-15X-300Y-D1-JS	1197	641	600	209	600	235	556	1"	1/2"	180	12.8	12.7	6000
	47.1	25.2	23.6	8.2	23.6	9.3	21.9			397	781	775	4425
LPS-15X-335Y-D1-JS	1197	641	600	209	600	235	556	1"	1/2"	200	16.0	15.9	6000
	47.1	25.2	23.6	8.2	23.6	9.3	21.9			441	976	970	4425
LPS-15X-360Y-D1-JS	1197	641	600	209	600	235	556	1"	1/2"	217	18.4	18.3	6000
	47.1	25.2	23.6	8.2	23.6	9.3	21.9			478	1123	1117	4425
LPS-15X-385Y-D1-JS	1197	641	600	209	600	235	556	1"	1/2"	231	21.1	21.0	6000
	47.1	25.2	23.6	8.2	23.6	9.3	21.9			509	1288	1281	4425
LPS-20X-335Y-D1-JS	1423	738	600	197	600	215	686	1"	1/2"	253	20.4	20.2	12000
	56.0	29.0	23.6	7.8	23.6	8.5	27.0			558	1245	1233	8851
LPS-20X-360Y-D1-JS	1423	738	600	197	600	215	686	1"	1/2"	270	23.6	23.4	12000
	56.0	29.0	23.6	7.8	23.6	8.5	27.0			595	1440	1428	8851
LPS-20X-385Y-D1-JS	1423	738	600	197	600	215	686	1"	1/2"	285	27.0	26.8	12000
	56.0	29.0	23.6	7.8	23.6	8.5	27.0			628	1648	1635	8851
LPS-20X-435Y-D1-JS	1423	738	600	197	600	215	686	1"	1"	335	34.4	34.2	12000
	56.0	29.0	23.6	7.8	23.6	8.5	27.0			739	2099	2087	8851
LPS-20X-485Y-D1-JS	1423	738	600	197	600	215	686	1"	1"	396	42.8	42.6	12000
	56.0	29.0	23.6	7.8	23.6	8.5	27.0			873	2612	2600	8851

Notes:

* Swept Volume and overall dimensions data are referred to actuators with end stops adjusted for 90° of stroke. Refer to Figure for details of Ports "N" and "P".

Tolerance 5% to be considered on dimensions and weight

LPS Single Acting + Manual Override HP: Dimensional, Weight and Volume Tables

Figure 17: Fail Close (FC) Configuration

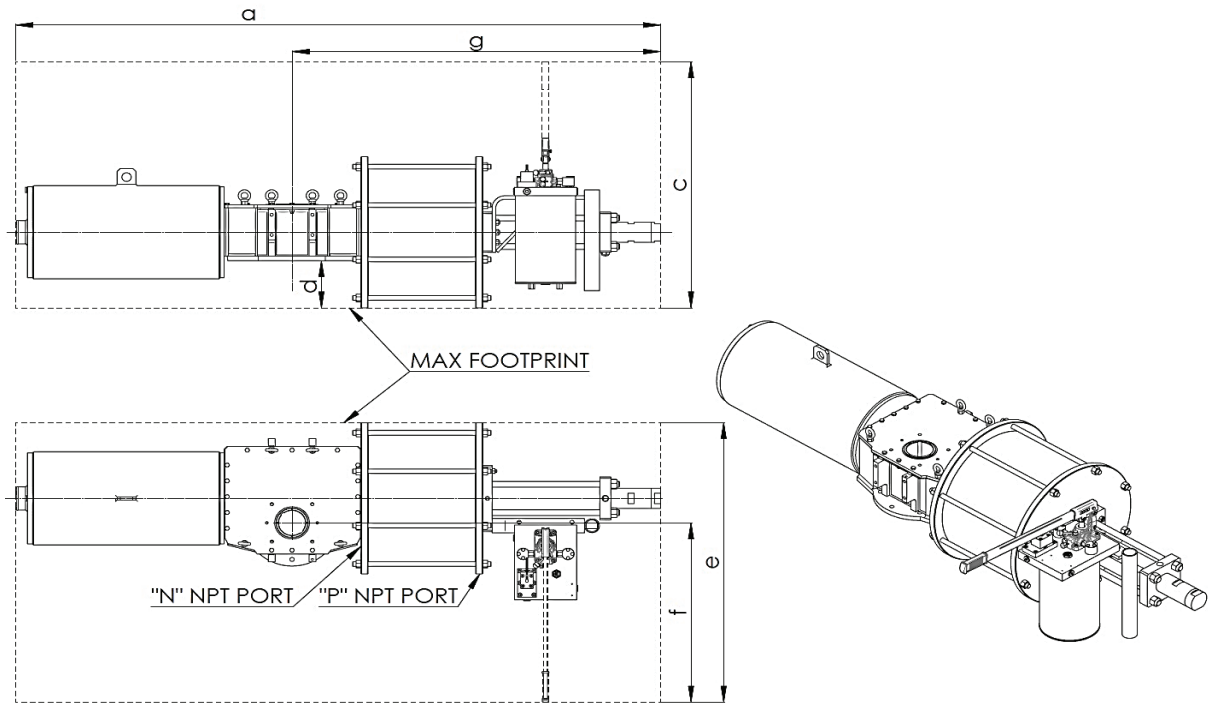


Figure 18: Fail Open (FO) Configuration

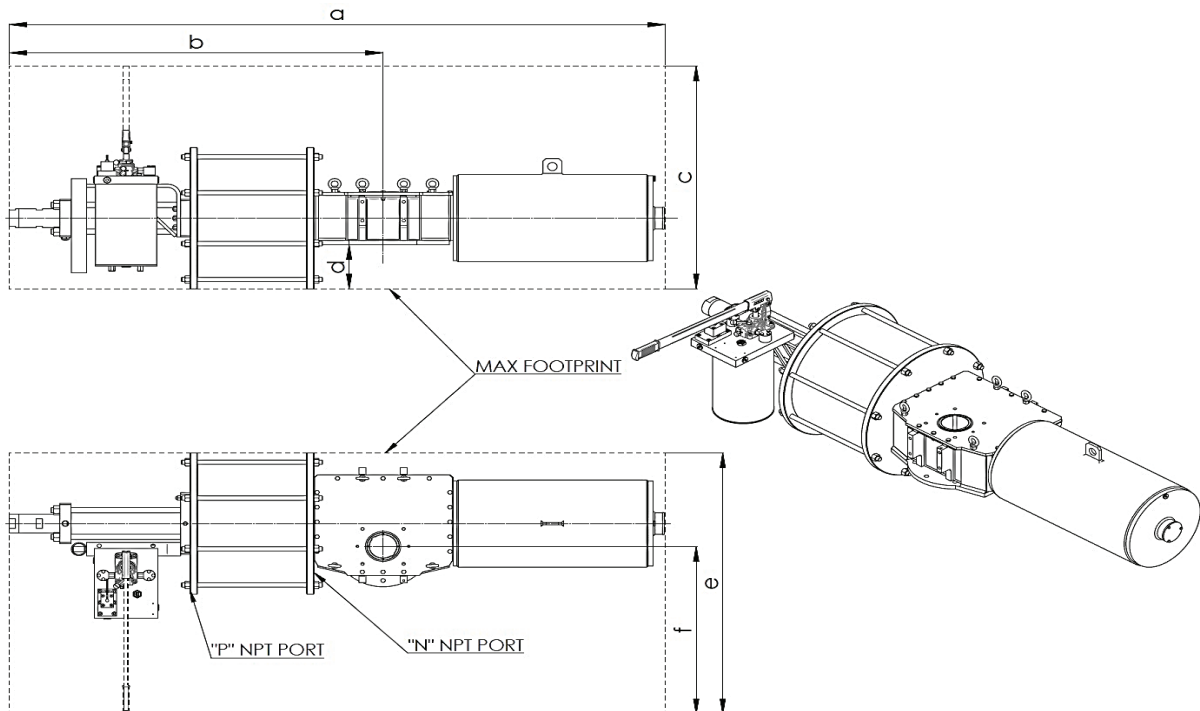


Table 7: LPS Single Acting + Manual Override HP: Dimensional, Weight and Volume Tables

LPS Single Acting MANUAL OVERRIDE HP - Dimensions: mm (in) - Weights: Kg (lbs) - Swept Volumes: l (cu in) - MOT: Nm (ft-lb)													
Model		a	b	c	d	e	f	g	"P" NPT PORT	"N" NPT PORT	Weight	Swept Volume**	MOT
LPS-15X-255Y-FC2-1-HP	LPS-15X-255Y-F02-1-HP	1660	954	852	66	857	625	964	1/2"	1/2"	239	9.2	6000
		65.3	37.6	33.5	2.6	33.7	24.6	38.0			527	561	4425
LPS-15X-285Y-FC2-1-HP	LPS-15X-285Y-F02-1-HP	1663	957	874	88	874	625	967	1/2"	1/2"	258	11.6	6000
		65.5	37.7	34.4	3.5	34.4	24.6	38.1			569	708	4425
LPS-15X-300Y-FC2-1-HP	LPS-15X-300Y-F02-1-HP	1668	962	883	98	883	625	972	1"	1/2"	268	12.8	6000
		65.6	37.9	34.8	3.8	34.8	24.6	38.3			591	781	4425
LPS-15X-335Y-FC2-1-HP	LPS-15X-335Y-F02-1-HP	1668	962	898	112	898	625	972	1"	1/2"	288	16.0	6000
		65.6	37.9	35.3	4.4	35.3	24.6	38.3			635	976	4425
LPS-15X-360Y-FC2-1-HP	LPS-15X-360Y-F02-1-HP	1668	962	912	126	912	625	972	1"	1/2"	305	18.4	6000
		65.6	37.9	35.9	5.0	35.9	24.6	38.3			672	1123	4425
LPS-15X-385Y-FC2-1-HP	LPS-15X-385Y-F02-1-HP	1668	962	925	139	925	625	972	1"	1/2"	319	21.1	6000
		65.6	37.9	36.4	5.5	36.4	24.6	38.3			703	1288	4425
LPS-15X-255Y-FC3-1-HP	LPS-15X-255Y-F03-1-HP	1660	954	852	66	857	625	964	1/2"	1/2"	240	9.2	6000
		65.4	37.6	33.5	2.6	33.7	24.6	38.0			529	561	4425
LPS-15X-285Y-FC3-1-HP	LPS-15X-285Y-F03-1-HP	1663	957	874	88	874	625	967	1/2"	1/2"	259	11.6	6000
		65.5	37.7	34.4	3.5	34.4	24.6	38.1			571	708	4425
LPS-15X-300Y-FC3-1-HP	LPS-15X-300Y-F03-1-HP	1668	962	883	98	883	625	972	1"	1/2"	269	12.8	6000
		65.7	37.9	34.8	3.8	34.8	24.6	38.3			593	781	4425
LPS-15X-335Y-FC3-1-HP	LPS-15X-335Y-F03-1-HP	1668	962	898	112	898	625	972	1"	1/2"	289	16.0	6000
		65.7	37.9	35.3	4.4	35.3	24.6	38.3			637	976	4425
LPS-15X-360Y-FC3-1-HP	LPS-15X-360Y-F03-1-HP	1668	962	912	126	912	625	972	1"	1/2"	306	18.4	6000
		65.7	37.9	35.9	5.0	35.9	24.6	38.3			675	1123	4425
LPS-15X-385Y-FC3-1-HP	LPS-15X-385Y-F03-1-HP	1668	962	925	139	925	625	972	1"	1/2"	320	21.1	6000
		65.7	37.9	36.4	5.5	36.4	24.6	38.3			705	1288	4425
LPS-15X-255Y-FC3-3-HP	LPS-15X-255Y-F03-3-HP	1660	954	852	66	857	625	964	1/2"	1/2"	254	9.2	6000
		65.4	37.6	33.5	2.6	33.7	24.6	38.0			560	561	4425
LPS-15X-285Y-FC3-3-HP	LPS-15X-285Y-F03-3-HP	1663	957	874	88	874	625	967	1/2"	1/2"	273	11.6	6000
		65.5	37.7	34.4	3.5	34.4	24.6	38.1			602	708	4425
LPS-15X-300Y-FC3-3-HP	LPS-15X-300Y-F03-3-HP	1668	962	883	98	883	625	972	1"	1/2"	283	12.8	6000
		65.7	37.9	34.8	3.8	34.8	24.6	38.3			624	781	4425

Limitorque™ LPS Series Actuator

LPS Single Acting MANUAL OVERRIDE HP - Dimensions: mm (in) - Weights: Kg (lbs) - Swept Volumes: l (cu in) - MOT: Nm (ft-lb)													
Model		a	b	c	d	e	f	g	"P" NPT PORT	"N" NPT PORT	Weight	Swept Volume**	MOT
LPS-15X-335Y-FC3-3-HP	LPS-15X-335Y-F03-3-HP	1668	962	898	112	898	625	972	1"	1/2"	303	16.0	6000
		65.7	37.9	35.3	4.4	35.3	24.6	38.3			668	976	4425
LPS-15X-360Y-FC3-3-HP	LPS-15X-360Y-F03-3-HP	1668	962	912	126	912	625	972	1"	1/2"	320	18.4	6000
		65.7	37.9	35.9	5.0	35.9	24.6	38.3			705	1123	4425
LPS-15X-385Y-FC3-3-HP	LPS-15X-385Y-F03-3-HP	1668	962	925	139	925	625	972	1"	1/2"	334	21.1	6000
		65.7	37.9	36.4	5.5	36.4	24.6	38.3			736	1288	4425
LPS-20X-335Y-FC2-2-HP	LPS-20X-335Y-F02-2-HP	2070	1179	913	109	919	625	1182	1"	1/2"	377	20.4	12000
		81.5	46.4	35.9	4.3	36.2	24.6	46.5			831	1245	8851
LPS-20X-360Y-FC2-2-HP	LPS-20X-360Y-F02-2-HP	2070	1179	927	123	932	625	1182	1"	1/2"	394	23.6	12000
		81.5	46.4	36.5	4.8	36.7	24.6	46.5			869	1440	8851
LPS-20X-385Y-FC2-2-HP	LPS-20X-385Y-F02-2-HP	2070	1179	940	136	945	625	1182	1"	1/2"	409	27.0	12000
		81.5	46.4	37.0	5.3	37.2	24.6	46.5			902	1648	8851
LPS-20X-435Y-FC2-2-HP	LPS-20X-435Y-F02-2-HP	2075	1184	968	164	973	625	1187	1"	1"	459	34.4	12000
		81.7	46.6	38.1	6.5	38.3	24.6	46.7			1012	2099	8851
LPS-20X-485Y-FC2-2-HP	LPS-20X-485Y-F02-2-HP	2080	1189	994	190	999	625	1192	1"	1"	520	42.8	12000
		81.9	46.8	39.1	7.5	39.3	24.6	46.9			1146	2612	8851
LPS-20X-335Y-FC2-3-HP	LPS-20X-335Y-F02-3-HP	2070	1179	913	109	919	625	1182	1"	1/2"	392	20.4	12000
		81.5	46.4	35.9	4.3	36.2	24.6	46.5			864	1245	8851
LPS-20X-360Y-FC2-3-HP	LPS-20X-360Y-F02-3-HP	2070	1179	927	123	932	625	1182	1"	1/2"	409	23.6	12000
		81.5	46.4	36.5	4.8	36.7	24.6	46.5			902	1440	8851
LPS-20X-385Y-FC2-3-HP	LPS-20X-385Y-F02-3-HP	2070	1179	940	136	945	625	1182	1"	1/2"	424	27.0	12000
		81.5	46.4	37.0	5.3	37.2	24.6	46.5			935	1648	8851
LPS-20X-435Y-FC2-3-HP	LPS-20X-435Y-F02-3-HP	2075	1184	968	164	973	625	1187	1"	1"	474	34.4	12000
		81.7	46.6	38.1	6.5	38.3	24.6	46.7			1045	2099	8851
LPS-20X-485Y-FC2-3-HP	LPS-20X-485Y-F02-3-HP	2080	1189	994	190	999	625	1192	1"	1"	535	42.8	12000
		81.9	46.8	39.1	7.5	39.3	24.6	46.9			1179	2612	8851
LPS-20X-335Y-FC3-1-HP	LPS-20X-335Y-F03-1-HP	2080	1179	913	109	919	625	1182	1"	1/2"	424	20.4	12000
		81.9	46.4	35.9	4.3	36.2	24.6	46.5			935	1245	8851
LPS-20X-360Y-FC3-1-HP	LPS-20X-360Y-F03-1-HP	2080	1179	927	123	932	625	1182	1"	1/2"	441	23.6	12000
		81.9	46.4	36.5	4.8	36.7	24.6	46.5			972	1440	8851
LPS-20X-385Y-FC3-1-HP	LPS-20X-385Y-F03-1-HP	2080	1179	940	136	945	625	1182	1"	1/2"	456	27.0	12000
		81.9	46.4	37.0	5.3	37.2	24.6	46.5			1005	1648	8851

Limitorque™ LPS Series Actuator

LPS Single Acting MANUAL OVERRIDE HP - Dimensions: mm (in) - Weights: Kg (lbs) - Swept Volumes: l (cu in) - MOT: Nm (ft-lb)													
Model		a	b	c	d	e	f	g	"P" NPT PORT	"N" NPT PORT	Weight	Swept Volume**	MOT
LPS-20X-435Y-FC3-1-HP	LPS-20X-435Y-F03-1-HP	2085	1184	968	164	973	625	1187	1"	1"	506	34.4	12000
		82.1	46.6	38.1	6.5	38.3	24.6	46.7			1116	2099	8851
LPS-20X-485Y-FC3-1-HP	LPS-20X-485Y-F03-1-HP	2090	1189	994	190	999	625	1192	1"	1"	567	42.8	12000
		82.3	46.8	39.1	7.5	39.3	24.6	46.9			1250	2612	8851
LPS-20X-335Y-FC3-2-HP	LPS-20X-335Y-F03-2-HP	2080	1179	913	109	919	625	1182	1"	1/2"	441	20.4	12000
		81.9	46.4	35.9	4.3	36.2	24.6	46.5			972	1245	8851
LPS-20X-360Y-FC3-2-HP	LPS-20X-360Y-F03-2-HP	2080	1179	927	123	932	625	1182	1"	1/2"	458	23.6	12000
		81.9	46.4	36.5	4.8	36.7	24.6	46.5			1010	1440	8851
LPS-20X-385Y-FC3-2-HP	LPS-20X-385Y-F03-2-HP	2080	1179	940	136	945	625	1182	1"	1/2"	473	27.0	12000
		81.9	46.4	37.0	5.3	37.2	24.6	46.5			1043	1648	8851
LPS-20X-435Y-FC3-2-HP	LPS-20X-435Y-F03-2-HP	2085	1184	968	164	973	625	1187	1"	1"	523	34.4	12000
		82.1	46.6	38.1	6.5	38.3	24.6	46.7			1153	2099	8851
LPS-20X-485Y-FC3-2-HP	LPS-20X-485Y-F03-2-HP	2090	1189	994	190	999	625	1192	1"	1"	584	42.8	12000
		82.3	46.8	39.1	7.5	39.3	24.6	46.9			1287	2612	8851
LPS-20X-335Y-FC3-3-HP	LPS-20X-335Y-F03-3-HP	2080	1179	913	109	919	625	1182	1"	1/2"	446	20.4	12000
		81.9	46.4	35.9	4.3	36.2	24.6	46.5			983	1245	8851
LPS-20X-360Y-FC3-3-HP	LPS-20X-360Y-F03-3-HP	2080	1179	927	123	932	625	1182	1"	1/2"	463	23.6	12000
		81.9	46.4	36.5	4.8	36.7	24.6	46.5			1021	1440	8851
LPS-20X-385Y-FC3-3-HP	LPS-20X-385Y-F03-3-HP	2080	1179	940	136	945	625	1182	1"	1/2"	478	27.0	12000
		81.9	46.4	37.0	5.3	37.2	24.6	46.5			1054	1648	8851
LPS-20X-435Y-FC3-3-HP	LPS-20X-435Y-F03-3-HP	2085	1184	968	164	973	625	1187	1"	1"	528	34.4	12000
		82.1	46.6	38.1	6.5	38.3	24.6	46.7			1164	2099	8851
LPS-20X-485Y-FC3-3-HP	LPS-20X-485Y-F03-3-HP	2090	1189	994	190	999	625	1192	1"	1"	589	42.8	12000
		82.3	46.8	39.1	7.5	39.3	24.6	46.9			1299	2612	8851
LPS-20X-335Y-FC4-2-HP	LPS-20Y-335Y-F04-2-HP	2183	1179	928	125	933	625	1182	1"	1/2"	528	20.4	12000
		85.9	46.4	36.5	4.9	36.7	24.6	46.5			1164	1245	8851
LPS-20X-360Y-FC4-2-HP	LPS-20Y-360Y-F04-2-HP	2183	1179	928	125	933	625	1182	1"	1/2"	545	23.6	12000
		85.9	46.4	36.5	4.9	36.7	24.6	46.5			1202	1440	8851
LPS-20X-385Y-FC4-2-HP	LPS-20Y-385Y-F04-2-HP	2183	1179	940	136	945	625	1182	1"	1/2"	560	27.0	12000
		85.9	46.4	37.0	5.3	37.2	24.6	46.5			1235	1648	8851
LPS-20X-435Y-FC4-2-HP	LPS-20Y-435Y-F04-2-HP	2188	1184	968	164	973	625	1187	1"	1"	610	34.4	12000
		86.1	46.6	38.1	6.5	38.3	24.6	46.7			1345	2099	8851

Limitorque™ LPS Series Actuator

LPS Single Acting MANUAL OVERRIDE HP - Dimensions: mm (in) - Weights: Kg (lbs) - Swept Volumes: l (cu in) - MOT: Nm (ft-lb)													
Model		a	b	c	d	e	f	g	"P" NPT PORT	"N" NPT PORT	Weight	Swept Volume**	MOT
LPS-20X-485Y-FC4-2-HP	LPS-20Y-485Y-F04-2-HP	2193	1189	994	190	999	625	1192	1"	1"	671	42.8	12000
		86.3	46.8	39.1	7.5	39.3	24.6	46.9			1479	2612	8851
LPS-25X-435Y-FC2-3-HP	LPS-25X-435Y-F02-3-HP	2443	1411	998	150	1003	635	1429	1"	1"	670	42.1	21000
		96.2	55.5	39.3	5.9	39.5	25.0	56.2			1477	2569	15489
LPS-25X-485Y-FC2-3-HP	LPS-25X-485Y-F02-3-HP	2448	1416	1024	176	1029	635	1434	1"	1"	733	52.3	21000
		96.4	55.7	40.3	6.9	40.5	25.0	56.4			1616	3192	15489
LPS-25X-535Y-FC2-3-HP	LPS-25X-535Y-F02-3-HP	2449	1417	1051	203	1056	635	1435	1"	1"	782	63.7	21000
		96.4	55.8	41.4	8.0	41.6	25.0	56.5			1724	3887	15489
LPS-25X-585Y-FC2-3-HP	LPS-25X-585Y-F02-3-HP	2454	1422	1077	229	1082	635	1440	1"	1"	876	76.1	21000
		96.6	56.0	42.4	9.0	42.6	25.0	56.7			1931	4644	15489
LPS-25X-435Y-FC3-4-HP	LPS-25X-435Y-F03-4-HP	2482	1411	998	150	1003	635	1429	1"	1"	702	42.1	21000
		97.7	55.5	39.3	5.9	39.5	25.0	56.2			1548	2569	15489
LPS-25X-485Y-FC3-4-HP	LPS-25X-485Y-F03-4-HP	2487	1416	1024	176	1029	635	1434	1"	1"	765	52.3	21000
		97.9	55.7	40.3	6.9	40.5	25.0	56.4			1687	3192	15489
LPS-25X-535Y-FC3-4-HP	LPS-25X-535Y-F03-4-HP	2488	1417	1051	203	1056	635	1435	1"	1"	814	63.7	21000
		98.0	55.8	41.4	8.0	41.6	25.0	56.5			1795	3887	15489
LPS-25X-585Y-FC3-4-HP	LPS-25X-585Y-F03-4-HP	2493	1422	1077	229	1082	635	1440	1"	1"	908	76.1	21000
		98.1	56.0	42.4	9.0	42.6	25.0	56.7			2002	4644	15489
LPS-25X-435Y-FC4-2-HP	LPS-25X-435Y-F04-2-HP	2512	1411	998	150	1003	635	1429	1"	1"	744	42.1	21000
		98.9	55.5	39.3	5.9	39.5	25.0	56.2			1640	2569	15489
LPS-25X-485Y-FC4-2-HP	LPS-25X-485Y-F04-2-HP	2517	1416	1024	176	1029	635	1434	1"	1"	807	52.3	21000
		99.1	55.7	40.3	6.9	40.5	25.0	56.4			1779	3192	15489
LPS-25X-535Y-FC4-2-HP	LPS-25X-535Y-F04-2-HP	2518	1417	1051	203	1056	635	1435	1"	1"	856	63.7	21000
		99.1	55.8	41.4	8.0	41.6	25.0	56.5			1887	3887	15489
LPS-25X-585Y-FC4-2-HP	LPS-25X-585Y-F04-2-HP	2523	1422	1077	229	1082	635	1440	1"	1"	950	76.1	21000
		99.3	56.0	42.4	9.0	42.6	25.0	56.7			2094	4644	15489
LPS-25X-435Y-FC4-3-HP	LPS-25X-435Y-F04-3-HP	2512	1411	998	150	1003	635	1429	1"	1"	757	42.1	21000
		98.9	55.5	39.3	5.9	39.5	25.0	56.2			1669	2569	15489
LPS-25X-485Y-FC4-3-HP	LPS-25X-485Y-F04-3-HP	2517	1416	1024	176	1029	635	1434	1"	1"	820	52.3	21000
		99.1	55.7	40.3	6.9	40.5	25.0	56.4			1808	3192	15489
LPS-25X-535Y-FC4-3-HP	LPS-25X-535Y-F04-3-HP	2518	1417	1051	203	1056	635	1435	1"	1"	869	63.7	21000
		99.1	55.8	41.4	8.0	41.6	25.0	56.5			1916	3887	15489

Limitorque™ LPS Series Actuator

LPS Single Acting MANUAL OVERRIDE HP - Dimensions: mm (in) - Weights: Kg (lbs) - Swept Volumes: l (cu in) - MOT: Nm (ft-lb)													
Model		a	b	c	d	e	f	g	"P" NPT PORT	"N" NPT PORT	Weight	Swept Volume**	MOT
LPS-25X-585Y-FC4-3-HP	LPS-25X-585Y-F04-3-HP	2523	1422	1077	229	1082	635	1440	1"	1"	963	76.1	21000
		99.3	56.0	42.4	9.0	42.6	25.0	56.7			2123	4644	15489
LPS-25X-435Y-FC5-1-HP	LPS-25X-435Y-F05-1-HP	2566	1411	998	150	1003	635	1429	1"	1"	860	42.1	21000
		101.0	55.5	39.3	5.9	39.5	25.0	56.2			1896	2569	15489
LPS-25X-485Y-FC5-1-HP	LPS-25X-485Y-F05-1-HP	2571	1416	1024	176	1029	635	1434	1"	1"	923	52.3	21000
		101.2	55.7	40.3	6.9	40.5	25.0	56.4			2035	3192	15489
LPS-25X-535Y-FC5-1-HP	LPS-25X-535Y-F05-1-HP	2572	1417	1051	203	1056	635	1435	1"	1"	972	63.7	21000
		101.3	55.8	41.4	8.0	41.6	25.0	56.5			2143	3887	15489
LPS-25X-585Y-FC5-1-HP	LPS-25X-585Y-F05-1-HP	2577	1422	1077	229	1082	635	1440	1"	1"	1066	76.1	21000
		101.5	56.0	42.4	9.0	42.6	25.0	56.7			2350	4644	15489
LPS-25X-435Y-FC5-2-HP	LPS-25X-435Y-F05-2-HP	2566	1411	998	150	1003	635	1429	1"	1"	869	42.1	21000
		101.0	55.5	39.3	5.9	39.5	25.0	56.2			1916	2569	15489
LPS-25X-485Y-FC5-2-HP	LPS-25X-485Y-F05-2-HP	2571	1416	1024	176	1029	635	1434	1"	1"	932	52.3	21000
		101.2	55.7	40.3	6.9	40.5	25.0	56.4			2055	3192	15489
LPS-25X-535Y-FC5-2-HP	LPS-25X-535Y-F05-2-HP	2572	1417	1051	203	1056	635	1435	1"	1"	981	63.7	21000
		101.3	55.8	41.4	8.0	41.6	25.0	56.5			2163	3887	15489
LPS-25X-585Y-FC5-2-HP	LPS-25X-585Y-F05-2-HP	2577	1422	1077	229	1082	635	1440	1"	1"	1075	76.1	21000
		101.5	56.0	42.4	9.0	42.6	25.0	56.7			2370	4644	15489
LPS-30X-535Y-FC2-3-HP	LPS-30X-535Y-F02-3-HP	2954	1673	1050	162	1060	606	1693	1"	1"	1056	80.7	40500
		116.3	65.9	41.3	6.4	41.7	23.8	66.7			2328	4925	29871
LPS-30X-585Y-FC2-3-HP	LPS-30X-585Y-F02-3-HP	2960	1679	1077	189	1082	606	1699	1"	1"	1142	96.5	40500
		116.5	66.1	42.4	7.4	42.6	23.8	66.9			2518	5889	29871
LPS-30X-635Y-FC2-3-HP	LPS-30X-635Y-F02-3-HP	2964	1683	1108	220	1113	606	1703	1"	1"	1239	113.7	40500
		116.7	66.3	43.6	8.6	43.8	23.8	67.0			2732	6938	29871
LPS-30X-685Y-FC2-3-HP	LPS-30X-685Y-F02-3-HP	2969	1688	1133	245	1138	606	1708	1"	1"	1363	132.3	40500
		116.9	66.5	44.6	9.6	44.8	23.8	67.2			3005	8073	29871
LPS-30X-535Y-FC4-2-HP	LPS-30X-535Y-F04-2-HP	2999	1673	1050	162	1060	606	1693	1"	1"	1171	80.7	40500
		118.1	65.9	41.3	6.4	41.7	23.8	66.7			2582	4925	29871
LPS-30X-585Y-FC4-2-HP	LPS-30X-585Y-F04-2-HP	3005	1679	1077	189	1082	606	1699	1"	1"	1257	96.5	40500
		118.3	66.1	42.4	7.4	42.6	23.8	66.9			2771	5889	29871
LPS-30X-635Y-FC4-2-HP	LPS-30X-635Y-F04-2-HP	3009	1683	1108	220	1113	606	1703	1"	1"	1354	113.7	40500
		118.5	66.3	43.6	8.6	43.8	23.8	67.0			2985	6938	29871

Limitorque™ LPS Series Actuator

LPS Single Acting MANUAL OVERRIDE HP - Dimensions: mm (in) - Weights: Kg (lbs) - Swept Volumes: l (cu in) - MOT: Nm (ft-lb)													
Model		a	b	c	d	e	f	g	"P" NPT PORT	"N" NPT PORT	Weight	Swept Volume**	MOT
LPS-30X-685Y-FC4-2-HP	LPS-30X-685Y-F04-2-HP	3014	1688	1133	245	1138	606	1708	1"	1"	1478	132.3	40500
		118.7	66.5	44.6	9.6	44.8	23.8	67.2			3258	8073	29871
LPS-30X-535Y-FC4-4-HP	LPS-30X-535Y-F04-4-HP	2999	1673	1050	162	1060	606	1693	1"	1"	1186	80.7	40500
		118.1	65.9	41.3	6.4	41.7	23.8	66.7			2615	4925	29871
LPS-30X-585Y-FC4-4-HP	LPS-30X-585Y-F04-4-HP	3005	1679	1077	189	1082	606	1699	1"	1"	1272	96.5	40500
		118.3	66.1	42.4	7.4	42.6	23.8	66.9			2804	5889	29871
LPS-30X-635Y-FC4-4-HP	LPS-30X-635Y-F04-4-HP	3009	1683	1108	220	1113	606	1703	1"	1"	1369	113.7	40500
		118.5	66.3	43.6	8.6	43.8	23.8	67.0			3018	6938	29871
LPS-30X-685Y-FC4-4-HP	LPS-30X-685Y-F04-4-HP	3014	1688	1133	245	1138	606	1708	1"	1"	1493	132.3	40500
		118.7	66.5	44.6	9.6	44.8	23.8	67.2			3292	8073	29871
LPS-30X-535Y-FC4-5-HP	LPS-30X-535Y-F04-5-HP	2999	1673	1050	162	1060	606	1693	1"	1"	1194	80.7	40500
		118.1	65.9	41.3	6.4	41.7	23.8	66.7			2632	4925	29871
LPS-30X-585Y-FC4-5-HP	LPS-30X-585Y-F04-5-HP	3005	1679	1077	189	1082	606	1699	1"	1"	1280	96.5	40500
		118.3	66.1	42.4	7.4	42.6	23.8	66.9			2822	5889	29871
LPS-30X-635Y-FC4-5-HP	LPS-30X-635Y-F04-5-HP	3009	1683	1108	220	1113	606	1703	1"	1"	1377	113.7	40500
		118.5	66.3	43.6	8.6	43.8	23.8	67.0			3036	6938	29871
LPS-30X-685Y-FC4-5-HP	LPS-30X-685Y-F04-5-HP	3014	1688	1133	245	1138	606	1708	1"	1"	1501	132.3	40500
		118.7	66.5	44.6	9.6	44.8	23.8	67.2			3309	8073	29871
LPS-30X-535Y-FC5-2-HP	LPS-30X-535Y-F05-2-HP	3886	1693	1050	162	1060	606	2063	1"	1"	1483	80.7	40500
		153.0	66.7	41.3	6.4	41.7	23.8	81.2			3269	4925	29871
LPS-30X-585Y-FC5-2-HP	LPS-30X-585Y-F05-2-HP	3892	1699	1077	189	1082	606	2069	1"	1"	1569	96.5	40500
		153.2	66.9	42.4	7.4	42.6	23.8	81.5			3459	5889	29871
LPS-30X-635Y-FC5-2-HP	LPS-30X-635Y-F05-2-HP	3896	1703	1108	220	1113	606	2073	1"	1"	1666	113.7	40500
		153.4	67.0	43.6	8.7	43.8	23.8	81.6			3673	6938	29871
LPS-30X-685Y-FC5-2-HP	LPS-30X-685Y-F05-2-HP	3901	1708	1133	245	1138	606	2078	1"	1"	1790	132.3	40500
		153.6	67.2	44.6	9.6	44.8	23.8	81.8			3946	8073	29871
LPS-30X-535Y-FC5-3-HP	LPS-30X-535Y-F05-3-HP	3886	1693	1050	162	1060	606	2063	1"	1"	1483	80.7	40500
		153.0	66.7	41.3	6.4	41.7	23.8	81.2			3269	4925	29871
LPS-30X-585Y-FC5-3-HP	LPS-30X-585Y-F05-3-HP	3892	1699	1077	189	1082	606	2069	1"	1"	1569	96.5	40500
		153.2	66.9	42.4	7.4	42.6	23.8	81.5			3459	5889	29871
LPS-30X-635Y-FC5-3-HP	LPS-30X-635Y-F05-3-HP	3896	1703	1108	220	1113	606	2073	1"	1"	1666	113.7	40500
		153.4	67.0	43.6	8.7	43.8	23.8	81.6			3673	6938	29871

Limitorque™ LPS Series Actuator

LPS Single Acting MANUAL OVERRIDE HP - Dimensions: mm (in) - Weights: Kg (lbs) - Swept Volumes: l (cu in) - MOT: Nm (ft-lb)													
Model		a	b	c	d	e	f	g	"P" NPT PORT	"N" NPT PORT	Weight	Swept Volume**	MOT
LPS-30X-685Y-FC5-3-HP	LPS-30X-685Y-F05-3-HP	3901	1708	1133	245	1138	606	2078	1"	1"	1790	132.3	40500
		153.6	67.2	44.6	9.6	44.8	23.8	81.8			3946	8073	29871
LPS-35X-685Y-FC2-2-HP	LPS-35X-685Y-F02-2-HP	4138	2167	1223	212	1254	665	2187	1"	1"	2382	165.2	75000
		162.9	85.3	48.1	8.3	49.4	26.2	86.1			5251	10081	55317
LPS-35X-735Y-FC2-2-HP	LPS-35X-735Y-F02-2-HP	4143	2172	1250	237	1280	665	2192	2 x 1"	2 x 1"	2472	190.2	75000
		163.1	85.5	49.2	9.3	50.4	26.2	86.3			5450	11607	55317
LPS-35X-785Y-FC2-2-HP	LPS-35X-785Y-F02-2-HP	4153	2182	1276	264	1306	665	2202	2 x 1"	2 x 1"	2657	217.0	75000
		163.5	85.9	50.2	10.4	51.4	26.2	86.7			5858	13242	55317
LPS-35X-835Y-FC2-2-HP	LPS-35X-835Y-F02-2-HP	4158	2187	1303	290	1333	665	2207	2 x 1"	2 x 1"	2813	245.5	75000
		163.7	86.1	51.3	11.4	52.5	26.2	86.9			6202	14981	55317
LPS-35X-885Y-FC2-2-HP	LPS-35X-885Y-F02-2-HP	4164	2193	1329	317	1359	665	2213	2 x 1"	2 x 1"	3021	275.8	75000
		163.9	86.3	52.3	12.5	53.5	26.2	87.1			6660	16830	55317
LPS-35X-935Y-FC2-2-HP	LPS-35X-935Y-F02-2-HP	4164	2193	1092	343	1254	665	2213	2 x 1"	2 x 1"	3217	307.8	75000
		163.9	86.3	43.0	13.5	49.4	26.2	87.1			7092	18783	55317
LPS-35X-685Y-FC3-1-HP	LPS-35X-685Y-F03-1-HP	4138	2167	1223	212	1254	665	2187	1"	1"	2573	165.2	75000
		162.9	85.3	48.1	8.3	49.4	26.2	86.1			5672	10081	55317
LPS-35X-735Y-FC3-1-HP	LPS-35X-735Y-F03-1-HP	4143	2172	1250	237	1280	665	2192	2 x 1"	2 x 1"	2663	190.2	75000
		163.1	85.5	49.2	9.3	50.4	26.2	86.3			5871	11607	55317
LPS-35X-785Y-FC3-1-HP	LPS-35X-785Y-F03-1-HP	4153	2182	1276	264	1306	665	2202	2 x 1"	2 x 1"	2848	217.0	75000
		163.5	85.9	50.2	10.4	51.4	26.2	86.7			6279	13242	55317
LPS-35X-835Y-FC3-1-HP	LPS-35X-835Y-F03-1-HP	4158	2187	1303	290	1333	665	2207	2 x 1"	2 x 1"	3004	245.5	75000
		163.7	86.1	51.3	11.4	52.5	26.2	86.9			6623	14981	55317
LPS-35X-885Y-FC3-1-HP	LPS-35X-885Y-F03-1-HP	4164	2193	1329	317	1359	665	2213	2 x 1"	2 x 1"	3212	275.8	75000
		163.9	86.3	52.3	12.5	53.5	26.2	87.1			7081	16830	55317
LPS-35X-935Y-FC3-1-HP	LPS-35X-935Y-F03-1-HP	4164	2193	1112	343	1254	665	2213	2 x 1"	2 x 1"	3408	307.8	75000
		163.9	86.3	43.8	13.5	49.4	26.2	87.1			7513	18783	55317
LPS-35X-685Y-FC3-2-HP	LPS-35X-685Y-F03-2-HP	4138	2167	1223	212	1254	665	2187	1"	1"	2757	165.2	75000
		162.9	85.3	48.1	8.3	49.4	26.2	86.1			6078	10081	55317
LPS-35X-735Y-FC3-2-HP	LPS-35X-735Y-F03-2-HP	4143	2172	1250	237	1280	665	2192	2 x 1"	2 x 1"	2847	190.2	75000
		163.1	85.5	49.2	9.3	50.4	26.2	86.3			6277	11607	55317
LPS-35X-785Y-FC3-2-HP	LPS-35X-785Y-F03-2-HP	4153	2182	1276	264	1306	665	2202	2 x 1"	2 x 1"	3032	217.0	75000
		163.5	85.9	50.2	10.4	51.4	26.2	86.7			6684	13242	55317

LPS Single Acting MANUAL OVERRIDE HP - Dimensions: mm (in) - Weights: Kg (lbs) - Swept Volumes: l (cu in) - MOT: Nm (ft-lb)													
Model		a	b	c	d	e	f	g	"P" NPT PORT	"N" NPT PORT	Weight	Swept Volume**	MOT
LPS-35X-835Y-FC3-2-HP	LPS-35X-835Y-F03-2-HP	4158	2187	1303	290	1333	665	2207	2 x 1"	2 x 1"	3188	245.5	75000
		163.7	86.1	51.3	11.4	52.5	26.2	86.9			7028	14981	55317
LPS-35X-885Y-FC3-2-HP	LPS-35X-885Y-F03-2-HP	4164	2193	1329	317	1359	665	2213	2 x 1"	2 x 1"	3396	275.8	75000
		163.9	86.3	52.3	12.5	53.5	26.2	87.1			7487	16830	55317
LPS-35X-935Y-FC3-2-HP	LPS-35X-935Y-F03-2-HP	4164	2193	1112	343	1254	665	2213	2 x 1"	2 x 1"	3592	307.8	75000
		163.9	86.3	43.8	13.5	49.4	26.2	87.1			7919	18783	55317
LPS-35X-685Y-FC3-3-HP	LPS-35X-685Y-F03-3-HP	4138	2167	1223	212	1254	665	2187	1"	1"	2817	165.2	75000
		162.9	85.3	48.1	8.3	49.4	26.2	86.1			6210	10081	55317
LPS-35X-735Y-FC3-3-HP	LPS-35X-735Y-F03-3-HP	4143	2172	1250	237	1280	665	2192	2 x 1"	2 x 1"	2907	190.2	75000
		163.1	85.5	49.2	9.3	50.4	26.2	86.3			6409	11607	55317
LPS-35X-785Y-FC3-3-HP	LPS-35X-785Y-F03-3-HP	4153	2182	1276	264	1306	665	2202	2 x 1"	2 x 1"	3092	217.0	75000
		163.5	85.9	50.2	10.4	51.4	26.2	86.7			6817	13242	55317
LPS-35X-835Y-FC3-3-HP	LPS-35X-835Y-F03-3-HP	4158	2187	1303	290	1333	665	2207	2 x 1"	2 x 1"	3248	245.5	75000
		163.7	86.1	51.3	11.4	52.5	26.2	86.9			7161	14981	55317
LPS-35X-885Y-FC3-3-HP	LPS-35X-885Y-F03-3-HP	4164	2193	1329	317	1359	665	2213	2 x 1"	2 x 1"	3456	275.8	75000
		163.9	86.3	52.3	12.5	53.5	26.2	87.1			7619	16830	55317
LPS-35X-935Y-FC3-3-HP	LPS-35X-935Y-F03-3-HP	4164	2193	1112	343	1254	665	2213	2 x 1"	2 x 1"	3652	307.8	75000
		163.9	86.3	43.8	13.5	49.4	26.2	87.1			8051	18783	55317
LPS-35X-685Y-FC3-4-HP	LPS-35X-685Y-F03-4-HP	4138	2167	1223	212	1254	665	2187	1"	1"	2802	165.2	75000
		162.9	85.3	48.1	8.3	49.4	26.2	86.1			6177	10081	55317
LPS-35X-735Y-FC3-4-HP	LPS-35X-735Y-F03-4-HP	4143	2172	1250	237	1280	665	2192	2 x 1"	2 x 1"	2892	190.2	75000
		163.1	85.5	49.2	9.3	50.4	26.2	86.3			6376	11607	55317
LPS-35X-785Y-FC3-4-HP	LPS-35X-785Y-F03-4-HP	4153	2182	1276	264	1306	665	2202	2 x 1"	2 x 1"	3077	217.0	75000
		163.5	85.9	50.2	10.4	51.4	26.2	86.7			6784	13242	55317
LPS-35X-835Y-FC3-4-HP	LPS-35X-835Y-F03-4-HP	4158	2187	1303	290	1333	665	2207	2 x 1"	2 x 1"	3233	245.5	75000
		163.7	86.1	51.3	11.4	52.5	26.2	86.9			7128	14981	55317
LPS-35X-885Y-FC3-4-HP	LPS-35X-885Y-F03-4-HP	4164	2193	1329	317	1359	665	2213	2 x 1"	2 x 1"	3441	275.8	75000
		163.9	86.3	52.3	12.5	53.5	26.2	87.1			7586	16830	55317
LPS-35X-935Y-FC3-4-HP	LPS-35X-935Y-F03-4-HP	4164	2193	1329	343	1359	665	2213	2 x 1"	2 x 1"	3637	307.8	75000
		163.9	86.3	52.3	13.5	53.5	26.2	87.1			8018	18783	55317
LPS-40X-835Y-FC3-3-HP	LPS-40X-835Y-F03-3-HP	4994	2639	1276	271	1306	630	2663	2 x 1"	2 x 1"	3883	308.6	150000
		196.6	103.9	50.2	10.7	51.4	24.8	104.8			8561	18832	110634

Limitorque™ LPS Series Actuator

LPS Single Acting MANUAL OVERRIDE HP - Dimensions: mm (in) - Weights: Kg (lbs) - Swept Volumes: l (cu in) - MOT: Nm (ft-lb)													
Model		a	b	c	d	e	f	g	"P" NPT PORT	"N" NPT PORT	Weight	Swept Volume**	MOT
LPS-40X-885Y-FC3-3-HP	LPS-40X-885Y-F03-3-HP	5000	2645	1303	293	1333	630	2669	2 x 1"	2 x 1"	4093	346.6	150000
		196.9	104.1	51.3	11.5	52.5	24.8	105.1			9024	21151	110634
LPS-40X-985Y-FC3-3-HP	LPS-40X-985Y-F03-3-HP	5000	2645	1356	346	1386	630	2669	2 x 1"	2 x 1"	4405	429.4	150000
		196.9	104.1	53.4	13.6	54.5	24.8	105.1			9711	26204	110634
LPS-40X-1050Y-FC3-3-HP	LPS-40X-1050Y-F03-3-HP	5000	2645	1390	380	1420	630	2669	2 x 1"	2 x 1"	4725	487.9	150000
		196.9	104.1	54.7	15.0	55.9	24.8	105.1			10417	29773	110634
LPS-40X-1200Y-FC3-3-HP	LPS-40X-1200Y-F03-3-HP	5020	2665	1466	457	1496	665	2689	2 x 1"	2 x 1"	5717	637.3	150000
		197.6	104.9	57.7	18.0	58.9	26.2	105.9			12604	38890	110634
LPS-40X-835Y-FC4-1-HP	LPS-40X-835Y-F04-1-HP	5225	2639	1276	271	1306	630	2663	2 x 1"	2 x 1"	3302	308.6	150000
		205.7	103.9	50.2	10.7	51.4	24.8	104.8			7280	18832	110634
LPS-40X-885Y-FC4-1-HP	LPS-40X-885Y-F04-1-HP	5231	2645	1303	293	1333	630	2669	2 x 1"	2 x 1"	3512	346.6	150000
		205.9	104.1	51.3	11.5	52.5	24.8	105.1			7743	21151	110634
LPS-40X-985Y-FC4-1-HP	LPS-40X-985Y-F04-1-HP	5231	2645	1356	346	1386	630	2669	2 x 1"	2 x 1"	3824	429.4	150000
		205.9	104.1	53.4	13.6	54.5	24.8	105.1			8430	26204	110634
LPS-40X-1050Y-FC4-1-HP	LPS-40X-1050Y-F04-1-HP	5231	2645	1390	380	1420	630	2669	2 x 1"	2 x 1"	4144	487.9	150000
		205.9	104.1	54.7	15.0	55.9	24.8	105.1			9136	29773	110634
LPS-40X-1200Y-FC4-1-HP	LPS-40X-1200Y-F04-1-HP	5251	2665	1466	457	1496	665	2689	2 x 1"	2 x 1"	5136	637.3	150000
		206.7	104.9	57.7	18.0	58.9	26.2	105.9			11323	38890	110634
LPS-40X-835Y-FC4-2-HP	LPS-40X-835Y-F04-2-HP	5225	2639	1276	271	1306	630	2663	2 x 1"	2 x 1"	3389	308.6	150000
		205.7	103.9	50.2	10.7	51.4	24.8	104.8			7471	18832	110634
LPS-40X-885Y-FC4-2-HP	LPS-40X-885Y-F04-2-HP	5231	2645	1303	293	1333	630	2669	2 x 1"	2 x 1"	3599	346.6	150000
		205.9	104.1	51.3	11.5	52.5	24.8	105.1			7934	21151	110634
LPS-40X-985Y-FC4-2-HP	LPS-40X-985Y-F04-2-HP	5231	2645	1356	346	1386	630	2669	2 x 1"	2 x 1"	3911	429.4	150000
		205.9	104.1	53.4	13.6	54.5	24.8	105.1			8622	26204	110634
LPS-40X-1050Y-FC4-2-HP	LPS-40X-1050Y-F04-2-HP	5231	2645	1390	380	1420	630	2669	2 x 1"	2 x 1"	4231	487.9	150000
		205.9	104.1	54.7	15.0	55.9	24.8	105.1			9328	29773	110634
LPS-40X-1200Y-FC4-2-HP	LPS-40X-1200Y-F04-2-HP	5251	2665	1466	457	1496	665	2689	2 x 1"	2 x 1"	5223	637.3	150000
		206.7	104.9	57.7	18.0	58.9	26.2	105.9			11515	38890	110634
LPS-40X-835Y-FC4-4-HP	LPS-40X-835Y-F04-4-HP	5225	2639	1276	271	1306	630	2663	2 x 1"	2 x 1"	3878	308.6	150000
		205.7	103.9	50.2	10.7	51.4	24.8	104.8			8550	18832	110634
LPS-40X-885Y-FC4-4-HP	LPS-40X-885Y-F04-4-HP	5231	2645	1303	293	1333	630	2669	2 x 1"	2 x 1"	4088	346.6	150000
		205.9	104.1	51.3	11.5	52.5	24.8	105.1			9012	21151	110634

Limitorque™ LPS Series Actuator

LPS Single Acting MANUAL OVERRIDE HP - Dimensions: mm (in) - Weights: Kg (lbs) - Swept Volumes: l (cu in) - MOT: Nm (ft-lb)													
Model		a	b	c	d	e	f	g	"P" NPT PORT	"N" NPT PORT	Weight	Swept Volume**	MOT
LPS-40X-985Y-FC4-4-HP	LPS-40X-985Y-F04-4-HP	5231	2645	1356	346	1386	630	2669	2 x 1"	2 x 1"	4400	429.4	150000
		205.9	104.1	53.4	13.6	54.5	24.8	105.1			9700	26204	110634
LPS-40X-1050Y-FC4-4-HP	LPS-40X-1050Y-F04-4-HP	5231	2645	1390	380	1420	630	2669	2 x 1"	2 x 1"	4720	487.9	150000
		205.9	104.1	54.7	15.0	55.9	24.8	105.1			10406	29773	110634
LPS-40X-1200Y-FC4-4-HP	LPS-40X-1200Y-F04-4-HP	5251	2665	1466	457	1496	665	2689	2 x 1"	2 x 1"	5712	637.3	150000
		206.7	104.9	57.7	18.0	58.9	26.2	105.9			12593	38890	110634
LPS-40X-835Y-FC5-3-HP	LPS-40X-835Y-F05-3-HP	5912	2639	1276	271	1306	630	2663	2 x 1"	2 x 1"	5080	308.6	150000
		232.8	103.9	50.2	10.7	51.4	24.8	104.8			11199	18832	110634
LPS-40X-885Y-FC5-3-HP	LPS-40X-885Y-F05-3-HP	5918	2645	1303	293	1333	630	2669	2 x 1"	2 x 1"	5290	346.6	150000
		233.0	104.1	51.3	11.5	52.5	24.8	105.1			11662	21151	110634
LPS-40X-985Y-FC5-3-HP	LPS-40X-985Y-F05-3-HP	5918	2645	1356	346	1386	630	2669	2 x 1"	2 x 1"	5602	429.4	150000
		233.0	104.1	53.4	13.6	54.5	24.8	105.1			12350	26204	110634
LPS-40X-1050Y-FC5-3-HP	LPS-40X-1050Y-F05-3-HP	5918	2645	1390	380	1420	630	2669	2 x 1"	2 x 1"	5922	487.9	150000
		233.0	104.1	54.7	15.0	55.9	24.8	105.1			13056	29773	110634
LPS-40X-1200Y-FC5-3-HP	LPS-40X-1200Y-F05-3-HP	5938	2665	1466	457	1496	630	2689	2 x 1"	2 x 1"	6914	637.3	150000
		233.8	104.9	57.7	18.0	58.9	24.8	105.9			15243	38890	110634
LPS-50X-1050Y-FC1-4-HP	LPS-50X-1050Y-F01-4-HP	6588	3158	1390	288	1563	728	3174	2 x 1"	2 x 1"	7301	617.2	300000
		259.4	124.3	54.7	11.3	61.5	28.7	125.0			16096	37664	221269
LPS-50X-1200Y-FC1-4-HP	LPS-50X-1200Y-F01-4-HP	6608	3178	1466	364	1639	728	3194	2 x 1"	2 x 1"	8298	806.1	300000
		260.2	125.1	57.7	14.3	64.5	28.7	125.7			18294	49191	221269
LPS-50X-1300Y-FC1-4-HP	LPS-50X-1300Y-F01-4-HP	6617	3187	1516	414	1689	728	3203	2 x 1"	2 x 1"	9052	946.0	300000
		260.5	125.5	59.7	16.3	66.5	28.7	126.1			19956	57728	221269
LPS-50X-1400Y-FC1-4-HP	LPS-50X-1400Y-F01-4-HP	6628	3198	1566	464	1739	728	3214	2 x 1"	2 x 1"	9990	1097.2	300000
		260.9	125.9	61.7	18.3	68.5	28.7	126.5			22024	66955	221269
LPS-50X-1500Y-FC1-4-HP	LPS-50X-1500Y-F01-4-HP	6648	3218	1640	518	1793	728	3234	2 x 1,5"	2 x 1,5"	11187	1259.5	300000
		261.7	126.7	64.6	20.4	70.6	28.7	127.3			24663	76859	221269
LPS-50X-1050Y-FC2-2-HP	LPS-50X-1050Y-F02-2-HP	6637	3158	1390	288	1563	728	3174	2 x 1"	2 x 1"	7612	617.2	300000
		261.3	124.3	54.7	11.3	61.5	28.7	125.0			16782	37664	221269
LPS-50X-1200Y-FC2-2-HP	LPS-50X-1200Y-F02-2-HP	6657	3178	1466	364	1639	728	3194	2 x 1"	2 x 1"	8609	806.1	300000
		262.1	125.1	57.7	14.3	64.5	28.7	125.7			18980	49191	221269
LPS-50X-1300Y-FC2-2-HP	LPS-50X-1300Y-F02-2-HP	6666	3187	1516	414	1689	728	3203	2 x 1"	2 x 1"	9363	946.0	300000
		262.4	125.5	59.7	16.3	66.5	28.7	126.1			20642	57728	221269

Limitorque™ LPS Series Actuator

LPS Single Acting MANUAL OVERRIDE HP - Dimensions: mm (in) - Weights: Kg (lbs) - Swept Volumes: l (cu in) - MOT: Nm (ft-lb)													
Model		a	b	c	d	e	f	g	"P" NPT PORT	"N" NPT PORT	Weight	Swept Volume**	MOT
LPS-50X-1400Y-FC2-2-HP	LPS-50X-1400Y-F02-2-HP	6677	3198	1566	464	1739	728	3214	2 x 1"	2 x 1"	10301	1097.2	300000
		262.9	125.9	61.7	18.3	68.5	28.7	126.5			22710	66955	221269
LPS-50X-1500Y-FC2-2-HP	LPS-50X-1500Y-F02-2-HP	6697	3218	1640	518	1793	728	3234	2 x 1.5"	2 x 1.5"	11498	1259.5	300000
		263.7	126.7	64.6	20.4	70.6	28.7	127.3			25349	76859	221269
LPS-50X-1050Y-FC3-1-HP	LPS-50X-1050Y-F03-1-HP	6677	3158	1390	288	1563	728	3174	2 x 1"	2 x 1"	7725	617.2	300000
		262.9	124.3	54.7	11.3	61.5	28.7	125.0			17031	37664	221269
LPS-50X-1200Y-FC3-1-HP	LPS-50X-1200Y-F03-1-HP	6697	3178	1466	364	1639	728	3194	2 x 1"	2 x 1"	8722	806.1	300000
		263.7	125.1	57.7	14.3	64.5	28.7	125.7			19229	49191	221269
LPS-50X-1300Y-FC3-1-HP	LPS-50X-1300Y-F03-1-HP	6706	3187	1516	414	1689	728	3203	2 x 1"	2 x 1"	9476	946.0	300000
		264.0	125.5	59.7	16.3	66.5	28.7	126.1			20891	57728	221269
LPS-50X-1400Y-FC3-1-HP	LPS-50X-1400Y-F03-1-HP	6717	3198	1566	464	1739	728	3214	2 x 1"	2 x 1"	10414	1097.2	300000
		264.4	125.9	61.7	18.3	68.5	28.7	126.5			22959	66955	221269
LPS-50X-1500Y-FC3-1-HP	LPS-50X-1500Y-F03-1-HP	6737	3218	1640	518	1793	728	3234	2 x 1.5"	2 x 1.5"	11611	1259.5	300000
		265.2	126.7	64.6	20.4	70.6	28.7	127.3			25598	76859	221269
LPS-50X-1050Y-FC3-3-HP	LPS-50X-1050Y-F03-3-HP	6677	3158	1390	288	1563	728	3174	2 x 1"	2 x 1"	8517	617.2	300000
		262.9	124.3	54.7	11.3	61.5	28.7	125.0			18777	37664	221269
LPS-50X-1200Y-FC3-3-HP	LPS-50X-1200Y-F03-3-HP	6697	3178	1466	364	1639	728	3194	2 x 1"	2 x 1"	9514	806.1	300000
		263.7	125.1	57.7	14.3	64.5	28.7	125.7			20975	49191	221269
LPS-50X-1300Y-FC3-3-HP	LPS-50X-1300Y-F03-3-HP	6706	3187	1516	414	1689	728	3203	2 x 1"	2 x 1"	10268	946.0	300000
		264.0	125.5	59.7	16.3	66.5	28.7	126.1			22637	57728	221269
LPS-50X-1400Y-FC3-3-HP	LPS-50X-1400Y-F03-3-HP	6717	3198	1566	464	1739	728	3214	2 x 1"	2 x 1"	11206	1097.2	300000
		264.4	125.9	61.7	18.3	68.5	28.7	126.5			24705	66955	221269
LPS-50X-1500Y-FC3-3-HP	LPS-50X-1500Y-F03-3-HP	6737	3218	1640	518	1793	728	3234	2 x 1.5"	2 x 1.5"	12403	1259.5	300000
		265.2	126.7	64.6	20.4	70.6	28.7	127.3			27344	76859	221269

Notes:

* Swept Volume and overall dimensions data are referred to actuators with end stops adjusted for 90° of stroke. Refer to Figure for details of Ports "N" and "P".

Tolerance 5% to be considered on dimensions and weight

LPS Double Acting + Manual Override HP: Dimensional, Weight and Volume Tables

Figure 19: LPS Double Acting + Manual Override HP

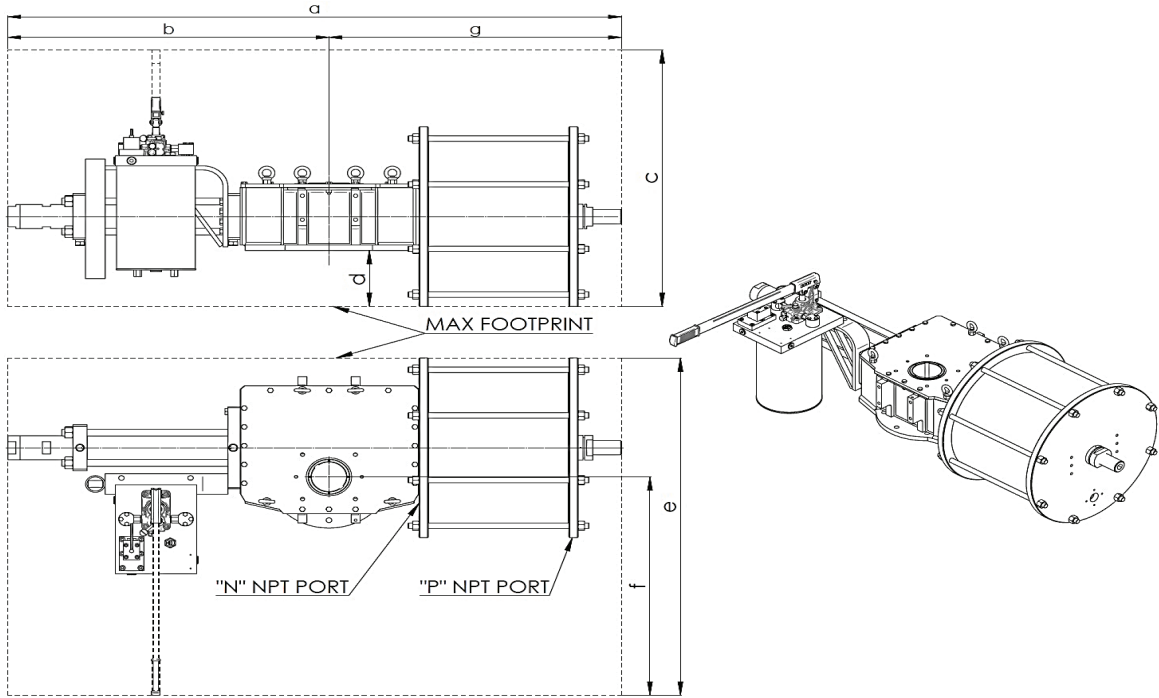


Table 8: LPS Double Acting + Manual Override HP: Dimensional, Weight and Volume Tables

LPS Single Acting MANUAL OVERRIDE HP - Dimensions: mm (in) - Weights: Kg (lbs) - Swept Volumes: l (cu in) - MOT: Nm (ft-lb)													
Model	a**	b	c	d	e	f	g**	"P" NPT PORT	"N" NPT PORT	Weight	Swept Volume**		MOT
											P" PORT	"N" PORT	
LPS-15X-255Y-D1-HP	1147	596	830	48	887	655	551	1/2"	1/2"	149	9.2	9.1	6000
	45.2	23.5	32.7	1.9	34.9	25.8	21.7			328	561	555	4425
LPS-15X-285Y-D1-HP	1147	596	874	88	904	655	551	1/2"	1/2"	168	11.6	11.5	6000
	45.2	23.5	34.4	3.5	35.6	25.8	21.7			370	708	702	4425
LPS-15X-300Y-D1-HP	1152	596	883	98	913	655	556	1"	1/2"	178	12.8	12.7	6000
	45.4	23.5	34.8	3.8	35.9	25.8	21.9			392	781	775	4425
LPS-15X-335Y-D1-HP	1152	596	898	112	928	655	556	1"	1/2"	198	16.0	15.9	6000
	45.4	23.5	35.3	4.4	36.5	25.8	21.9			437	976	970	4425
LPS-15X-360Y-D1-HP	1152	596	912	126	942	655	556	1"	1/2"	215	18.4	18.3	6000
	45.4	23.5	35.9	5.0	37.1	25.8	21.9			474	1123	1117	4425
LPS-15X-385Y-D1-HP	1152	596	925	139	955	655	556	1"	1/2"	229	21.1	21.0	6000
	45.4	23.5	36.4	5.5	37.6	25.8	21.9			505	1288	1281	4425
LPS-20X-335Y-D1-HP	1429	744	908	109	944	650	686	1"	1/2"	262	20.4	20.2	12000
	56.3	29.3	35.7	4.3	37.2	25.6	27.0			578	1245	1233	8851
LPS-20X-360Y-D1-HP	1429	744	922	123	957	650	686	1"	1/2"	279	23.6	23.4	12000
	56.3	29.3	36.3	4.8	37.7	25.6	27.0			615	1440	1428	8851
LPS-20X-385Y-D1-HP	1429	744	935	136	970	650	686	1"	1/2"	294	27.0	26.8	12000
	56.3	29.3	36.8	5.3	38.2	25.6	27.0			648	1648	1635	8851
LPS-20X-435Y-D1-HP	1429	744	963	164	998	650	686	1"	1"	344	34.4	34.2	12000
	56.3	29.3	37.9	6.5	39.3	25.6	27.0			758	2099	2087	8851
LPS-20X-485Y-D1-HP	1429	744	989	190	1024	650	686	1"	1"	405	42.8	42.6	12000
	56.3	29.3	38.9	7.5	40.3	25.6	27.0			893	2612	2600	8851
LPS-25X-435Y-D1-HP	1726	933	993	150	1013	645	794	1"	1"	469	42.1	41.7	21000
	68.0	36.7	39.1	5.9	39.9	25.4	31.2			1034	2569	2545	15489
LPS-25X-485Y-D1-HP	1746	933	1019	176	1039	645	814	1"	1"	532	52.3	51.9	21000
	68.7	36.7	40.1	6.9	40.9	25.4	32.0			1173	3192	3167	15489
LPS-25X-535Y-D1-HP	1762	933	1046	203	1066	645	830	1"	1"	581	63.7	63.3	21000
	69.4	36.7	41.2	8.0	41.9	25.4	32.7			1281	3887	3863	15489
LPS-25X-585Y-D1-HP	1762	933	1072	229	1092	645	830	1"	1"	675	76.1	75.7	21000
	69.4	36.7	42.2	9.0	43.0	25.4	32.7			1488	4644	4619	15489
LPS-30X-535Y-D1-HP	2036	1037	1045	162	1120	666	999	1"	1"	744	80.7	80.0	40500
	80.2	40.8	41.1	6.4	44.1	26.2	39.3			1640	4925	4882	29871

Limitorque™ LPS Series Actuator

LPS Single Acting MANUAL OVERRIDE HP - Dimensions: mm (in) - Weights: Kg (lbs) - Swept Volumes: l (cu in) - MOT: Nm (ft-lb)													
Model	a**	b	c	d	e	f	g**	"P" NPT PORT	"N" NPT PORT	Weight	Swept Volume**		MOT
											"P" PORT	"N" PORT	
LPS-30X-585Y-D1-HP	2036	1037	1072	189	1142	666	999	1"	1"	830	96.5	95.8	40500
	80.2	40.8	42.2	7.4	44.9	26.2	39.3			1830	5889	5846	29871
LPS-30X-635Y-D1-HP	2036	1037	1103	220	1173	666	999	1"	1"	927	113.7	113.0	40500
	80.2	40.8	43.4	8.6	46.2	26.2	39.3			2044	6938	6896	29871
LPS-30X-685Y-D1-HP	2066	1037	1128	245	1198	666	1029	1"	1"	1051	132.3	131.6	40500
	81.3	40.8	44.4	9.6	47.1	26.2	40.5			2317	8073	8031	29871
LPS-35X-685Y-D1-HP	2642	1391	1248	212	1314	725	1251	1"	1"	1426	165.2	163.7	75000
	104.0	54.8	49.1	8.3	51.7	28.5	49.3			3144	10081	9990	51661
LPS-35X-735Y-D1-HP	2642	1391	1273	237	1314	725	1251	2 x 1"	2 x 1"	1516	190.2	188.7	75000
	104.0	54.8	50.1	9.3	51.7	28.5	49.3			3342	11607	11515	51661
LPS-35X-785Y-D1-HP	2718	1411	1300	264	1340	725	1307	2 x 1"	2 x 1"	1701	217.0	215.5	75000
	107.0	55.6	51.2	10.4	52.8	28.5	51.5			3750	13242	13151	51661
LPS-35X-835Y-D1-HP	2718	1411	1326	290	1366	725	1307	2 x 1"	2 x 1"	1857	245.5	244.0	75000
	107.0	55.6	52.2	11.4	53.8	28.5	51.5			4094	14981	14890	51661
LPS-35X-885Y-D1-HP	2718	1411	1353	317	1393	725	1307	2 x 1"	2 x 1"	2065	275.8	274.3	75000
	107.0	55.6	53.2	12.5	54.8	28.5	51.5			4553	16830	16739	51661
LPS-35X-935Y-D1-HP	2718	1411	1379	343	1419	725	1307	2 x 1"	2 x 1"	2261	307.8	306.3	75000
	107.0	55.6	54.3	13.5	55.9	28.5	51.5			4985	18783	18692	51661
LPS-40X-835Y-D1-HP	3297	1710	1326	271	1376	700	1587	2 x 1"	2 x 1"	2424	308.6	305.8	150000
	129.8	67.3	52.2	10.7	54.2	27.6	62.5			5344	18832	18661	103321
LPS-40X-885Y-D1-HP	3297	1710	1353	293	1403	700	1587	2 x 1"	2 x 1"	2634	346.6	343.8	150000
	129.8	67.3	53.2	11.5	55.2	27.6	62.5			5807	21151	20980	103321
LPS-40X-985Y-D1-HP	3302	1710	1406	346	1456	700	1592	2 x 1"	2 x 1"	2946	429.4	426.6	150000
	130.0	67.3	55.3	13.6	57.3	27.6	62.7			6495	26204	26033	103321
LPS-40X-1050Y-D1-HP	3322	1710	1440	380	1490	700	1612	2 x 1"	2 x 1"	3266	487.9	485.1	150000
	130.8	67.3	56.7	15.0	58.6	27.6	63.5			7200	29773	29603	103321
LPS-40X-1200Y-D1-HP	3322	1710	1516	457	1566	700	1612	2 x 1"	2 x 1"	4258	637.3	634.5	150000
	130.8	67.3	59.7	18.0	61.7	27.6	63.5			9387	38890	38720	103321
LPS-50X-1050Y-D1-HP	4181	2168	1300	288	1434	599	2013	2 x 1"	2 x 1"	4693	617.2	613.4	300000
	164.6	85.4	51.2	11.3	56.4	23.6	79.3			10346	37664	37432	221269
LPS-50X-1200Y-D1-HP	4208	2195	1376	364	1510	599	2013	2 x 1"	2 x 1"	5690	806.1	802.3	300000
	165.7	86.4	54.2	14.3	59.4	23.6	79.3			12544	49191	48959	221269

Limitorque™ LPS Series Actuator

LPS Single Acting MANUAL OVERRIDE HP - Dimensions: mm (in) - Weights: Kg (lbs) - Swept Volumes: l (cu in) - MOT: Nm (ft-lb)													
Model	a**	b	c	d	e	f	g**	"P" NPT PORT	"N" NPT PORT	Weight	Swept Volume**		MOT
											P" PORT	"N" PORT	
LPS-50X-1300Y-D1-HP	4208	2195	1432	414	1560	599	2013	2 x 1"	2 x 1"	6444	946.0	942.2	300000
	165.7	86.4	56.4	16.3	61.4	23.6	79.3			14207	57728	57497	221269
LPS-50X-1400Y-D1-HP	4208	2195	1532	464	1610	599	2013	2 x 1"	2 x 1"	7382	1097.2	1093.4	300000
	165.7	86.4	60.3	18.3	63.4	23.6	79.3			16275	66955	66723	221269

Notes:

* Swept Volume and overall dimensions data are referred to actuators with end stops adjusted for 90° of stroke. Refer to Figure for details of Ports "N" and "P".

Tolerance 5% to be considered on dimensions and weight

LPS Single Acting: FC Performance Tables

Actuator Model		METRIC/IMPERIAL TORQUE TABLE														Max Operating Pressure	Max Operating Torque	Swept Volume*
		Spring Torque	barg (PSIG)	barg (PSIG)	barg (PSIG)	barg (PSIG)	barg (PSIG)	barg (PSIG)	barg (PSIG)	barg (PSIG)	barg (PSIG)	barg (PSIG)	barg (PSIG)	barg (PSIG)	barg (PSIG)			
			2.5 (36)	3 (44)	3.5 (51)	4 (58)	4.5 (65)	5 (73)	5.5 (80)	6 (87)	7 (102)	9 (131)	10 (145)	12 (174)				
			Output Torque Nm (ft-lb) @ supply pressure barg (PSIG)															
Nm (ft-lb)	Nm (ft-lb)	Nm (ft-lb)	Nm (ft-lb)	Nm (ft-lb)	Nm (ft-lb)	Nm (ft-lb)	Nm (ft-lb)	Nm (ft-lb)	Nm (ft-lb)	Nm (ft-lb)	Nm (ft-lb)	Nm (ft-lb)	Nm (ft-lb)	barg (PSIG)	Nm (ft-lb)	L (cu in)		
LPS-15A-255X-FC2-1	start	1149 (847)		662 (488)	909 (670)	1156 (853)	1403 (1035)	1650 (1217)	1897 (1399)	2144 (1581)	2638 (1946)	3625 (2674)	4119 (3038)	5107 (3767)	12 (174)	6000 (4425)	9,2 (561)	
	run	525 (387)		208 (153)	373 (275)	516 (381)	656 (484)	796 (587)	935 (690)	1074 (792)	1351 (996)	1906 (1406)	2184 (1611)	2739 (2020)				
	end	771 (569)		208 (153)	470 (347)	732 (540)	993 (732)	1255 (926)	1517 (1119)	1779 (1312)	2302 (1698)	3350 (2471)	3873 (2857)	4920 (3629)				
LPS-15A-285X-FC2-1	start	1147 (846)	721 (532)	1030 (760)	1338 (987)	1646 (1214)	1955 (1442)	2263 (1669)	2572 (1897)	2880 (2124)	3497 (2579)	4731 (3489)	5348 (3944)		11 (160)	6000 (4425)	11,4 (696)	
	run	524 (386)	260 (192)	443 (327)	619 (457)	794 (586)	968 (714)	1141 (842)	1314 (969)	1488 (1097)	1834 (1353)	2528 (1865)	2874 (2120)					
	end	769 (567)	270 (199)	597 (440)	924 (682)	1251 (923)	1578 (1164)	1906 (1406)	2232 (1646)	2560 (1888)	3214 (2371)	4522 (3335)	5176 (3818)					
LPS-15A-300X-FC2-1	start	1146 (845)	887 (654)	1229 (906)	1570 (1158)	1912 (1410)	2254 (1662)	2596 (1915)	2937 (2166)	3279 (2418)	3963 (2923)	5330 (3931)			9,9 (144)	6000 (4425)	12,7 (775)	
	run	523 (386)	360 (266)	557 (411)	751 (554)	943 (696)	1136 (838)	1328 (979)	1520 (1121)	1712 (1263)	2096 (1546)	2864 (2112)						
	end	768 (566)	446 (329)	808 (596)	1171 (864)	1533 (1131)	1895 (1398)	2258 (1665)	2620 (1932)	2982 (2199)	3707 (2734)	5157 (3804)						
LPS-15A-335X-FC2-1	start	1143 (843)	1306 (963)	1732 (1277)	2159 (1592)	2585 (1907)	3011 (2221)	3437 (2535)	3863 (2849)	4289 (3163)	5142 (3793)				8 (116)	6000 (4425)	15,8 (964)	
	run	522 (385)	601 (443)	842 (621)	1082 (798)	1322 (975)	1561 (1151)	1800 (1328)	2040 (1505)	2279 (1681)	2758 (2034)							
	end	765 (564)	891 (657)	1342 (990)	1794 (1323)	2246 (1657)	2698 (1990)	3150 (2323)	3602 (2657)	4054 (2990)	4957 (3656)							
LPS-15A-360X-FC2-1	start	1141 (842)	1634 (1205)	2126 (1568)	2618 (1931)	3111 (2295)	3603 (2657)	4095 (3020)	4587 (3383)	5079 (3746)					6,9 (100)	6000 (4425)	18,3 (1117)	
	run	521 (384)	787 (580)	1064 (785)	1340 (988)	1617 (1193)	1894 (1397)	2170 (1601)	2447 (1805)	2723 (2008)								
	end	763 (563)	1238 (913)	1760 (1298)	2282 (1683)	2804 (2068)	3326 (2453)	3847 (2837)	4369 (3222)	4891 (3607)								
LPS-15A-385X-FC2-1	start	1139 (840)	1986 (1465)	2548 (1879)	3111 (2295)	3674 (2710)	4237 (3125)	4800 (3540)	5363 (3956)						6 (87)	6000 (4425)	20,9 (1275)	
	run	520 (384)	985 (726)	1301 (960)	1618 (1193)	1934 (1426)	2250 (1660)	2566 (1893)	2883 (2126)									
	end	761 (561)	1611 (1188)	2208 (1629)	2805 (2069)	3401 (2508)	3998 (2949)	4595 (3389)	5192 (3829)									
LPS-15A-255X-FC3-1	start	1750 (1291)					920 (679)	1167 (861)	1414 (1043)	1661 (1225)	2155 (1589)	3142 (2317)	3636 (2682)	4624 (3410)	12 (174)	6000 (4425)	9,2 (561)	
	run	817 (603)					289 (213)	462 (341)	606 (447)	748 (552)	1028 (758)	1584 (1168)	1862 (1373)	2416 (1782)				
	end	1234 (910)					289 (213)	551 (406)	813 (600)	1074 (792)	1598 (1179)	2645 (1951)	3169 (2337)	4216 (3110)				
LPS-15A-285X-FC3-1	start	1748 (1289)			855 (631)	1163 (858)	1472 (1086)	1780 (1313)	2089 (1541)	2397 (1768)	3014 (2223)	4248 (3133)	4865 (3588)		11,8 (171)	6000 (4425)	11,4 (696)	
	run	816 (602)			220 (162)	460 (339)	639 (471)	816 (602)	990 (730)	1165 (859)	1512 (1115)	2205 (1626)	2552 (1882)					
	end	1232 (909)			220 (162)	547 (403)	874 (645)	1201 (886)	1528 (1127)	1855 (1368)	2509 (1851)	3817 (2815)	4471 (3298)					

Actuator Model	METRIC/IMPERIAL TORQUE TABLE																
	Spring Torque	barg (PSIG)	barg (PSIG)	barg (PSIG)	barg (PSIG)	barg (PSIG)	barg (PSIG)	barg (PSIG)	barg (PSIG)	barg (PSIG)	barg (PSIG)	barg (PSIG)	barg (PSIG)	barg (PSIG)	Max Operating Pressure	Max Operating Torque	Swept Volume*
		2.5 (36)	3 (44)	3.5 (51)	4 (58)	4.5 (65)	5 (73)	5.5 (80)	6 (87)	7 (102)	9 (131)	10 (145)	12 (174)				
		Output Torque Nm (ft-lb) @ supply pressure barg (PSIG)															
Nm (ft-lb)	Nm (ft-lb)	Nm (ft-lb)	Nm (ft-lb)	Nm (ft-lb)	Nm (ft-lb)	Nm (ft-lb)	Nm (ft-lb)	Nm (ft-lb)	Nm (ft-lb)	Nm (ft-lb)	Nm (ft-lb)	Nm (ft-lb)	Nm (ft-lb)	barg (PSIG)	Nm (ft-lb)	L (cu in)	
LPS-15A-300X-FC3-1	start	1747 (1289)			1087 (802)	1429 (1054)	1771 (1306)	2112 (1558)	2454 (1810)	2796 (2062)	3480 (2567)	4847 (3575)			10,6 (154)	6000 (4425)	12,7 (775)
	run	815 (601)			414 (305)	615 (454)	810 (597)	1004 (741)	1197 (883)	1389 (1024)	1773 (1308)	2542 (1875)					
	end	1231 (908)			466 (344)	829 (611)	1191 (878)	1553 (1145)	1916 (1413)	2278 (1680)	3003 (2215)	4452 (3284)					
LPS-15A-335X-FC3-1	start	1745 (1287)	823 (607)	1249 (921)	1676 (1236)	2102 (1550)	2528 (1865)	2954 (2179)	3380 (2493)	3806 (2807)	4659 (3436)			8,5 (123)	6000 (4425)	15,8 (964)	
	run	814 (600)	186 (137)	510 (376)	756 (558)	998 (736)	1238 (913)	1478 (1090)	1718 (1267)	1957 (1443)	2436 (1797)						
	end	1229 (906)	186 (137)	638 (471)	1090 (804)	1542 (1137)	1994 (1471)	2446 (1804)	2897 (2137)	3349 (2470)	4253 (3137)						
LPS-15A-360X-FC3-1	start	1743 (1286)	1151 (849)	1643 (1212)	2135 (1575)	2628 (1938)	3120 (2301)	3612 (2664)	4104 (3027)	4596 (3390)				7,4 (107)	6000 (4425)	18,3 (1117)	
	run	813 (600)	452 (333)	738 (544)	1017 (750)	1294 (954)	1571 (1159)	1848 (1363)	2124 (1567)	2401 (1771)							
	end	1226 (904)	534 (394)	1056 (779)	1578 (1164)	2099 (1548)	2621 (1933)	3143 (2318)	3665 (2703)	4187 (3088)							
LPS-15A-385X-FC3-1	start	1740 (1283)	1503 (1109)	2065 (1523)	2628 (1938)	3191 (2354)	3754 (2769)	4317 (3184)	4880 (3599)					6,4 (93)	6000 (4425)	20,9 (1275)	
	run	812 (599)	657 (485)	977 (721)	1295 (955)	1611 (1188)	1928 (1422)	2244 (1655)	2560 (1888)								
	end	1224 (903)	907 (669)	1504 (1109)	2100 (1549)	2697 (1989)	3294 (2430)	3891 (2870)	4487 (3309)								
LPS-15A-255X-FC3-3	start	2479 (1828)								1153 (850)	1647 (1215)	2634 (1943)	3128 (2307)	4116 (3036)	12 (174)	6000 (4425)	9,2 (561)
	run	1150 (848)								220 (162)	640 (472)	1211 (893)	1491 (1100)	2047 (1510)			
	end	1722 (1270)								220 (162)	744 (549)	1791 (1321)	2315 (1707)	3362 (2480)			
LPS-15A-285X-FC3-3	start	2477 (1827)						1272 (938)	1581 (1166)	1889 (1393)	2506 (1848)	3740 (2758)	4357 (3214)	12 (174)	6000 (4425)	11,4 (696)	
	run	1149 (847)						347 (256)	600 (443)	783 (578)	1138 (839)	1836 (1354)	2183 (1610)				
	end	1720 (1269)						347 (256)	674 (497)	1001 (738)	1655 (1221)	2963 (2185)	3617 (2668)				
LPS-15A-300X-FC3-3	start	2476 (1826)					1263 (932)	1604 (1183)	1946 (1435)	2288 (1688)	2972 (2192)	4339 (3200)	5022 (3704)	11,4 (165)	6000 (4425)	12,7 (775)	
	run	1148 (847)					337 (249)	615 (454)	816 (602)	1013 (747)	1402 (1034)	2172 (1602)	2557 (1886)				
	end	1719 (1268)					337 (249)	699 (516)	1061 (783)	1424 (1050)	2148 (1584)	3598 (2654)	4323 (3188)				
LPS-15A-335X-FC3-3	start	2474 (1825)			1168 (861)	1594 (1176)	2020 (1490)	2446 (1804)	2872 (2118)	3298 (2432)	4151 (3062)			9,1 (132)	6000 (4425)	15,8 (964)	
	run	1147 (846)			236 (174)	608 (448)	859 (634)	1104 (814)	1346 (993)	1587 (1171)	2067 (1525)						
	end	1716 (1266)			236 (174)	688 (507)	1139 (840)	1591 (1173)	2043 (1507)	2495 (1840)	3399 (2507)						

Actuator Model	METRIC/IMPERIAL TORQUE TABLE																
	Spring Torque	barg (PSIG)	barg (PSIG)	barg (PSIG)	barg (PSIG)	barg (PSIG)	barg (PSIG)	barg (PSIG)	barg (PSIG)	barg (PSIG)	barg (PSIG)	barg (PSIG)	barg (PSIG)	barg (PSIG)	Max Operating Pressure	Max Operating Torque	Swept Volume*
		2.5 (36)	3 (44)	3.5 (51)	4 (58)	4.5 (65)	5 (73)	5.5 (80)	6 (87)	7 (102)	9 (131)	10 (145)	12 (174)				
		Output Torque Nm (ft-lb) @ supply pressure barg (PSIG)															
Nm (ft-lb)	Nm (ft-lb)	Nm (ft-lb)	Nm (ft-lb)	Nm (ft-lb)	Nm (ft-lb)	Nm (ft-lb)	Nm (ft-lb)	Nm (ft-lb)	Nm (ft-lb)	Nm (ft-lb)	Nm (ft-lb)	Nm (ft-lb)	Nm (ft-lb)	barg (PSIG)	Nm (ft-lb)	L (cu in)	
LPS-15A-360X-FC3-3	start	2472 (1823)		1135 (837)	1627 (1200)	2120 (1564)	2612 (1927)	3104 (2289)	3596 (2652)	4088 (3015)	5072 (3741)				7,9 (115)	6000 (4425)	18,3 (1117)
	run	1146 (845)		202 (149)	629 (464)	916 (676)	1198 (884)	1477 (1089)	1754 (1294)	2032 (1499)	2585 (1907)						
	end	1714 (1264)		202 (149)	723 (533)	1245 (918)	1767 (1303)	2289 (1688)	2810 (2073)	3332 (2458)	4376 (3228)						
LPS-15A-385X-FC3-3	start	2469 (1821)		1558 (1149)	2120 (1564)	2683 (1979)	3246 (2394)	3809 (2809)	4372 (3225)	4935 (3640)				6,9 (100)	6000 (4425)	20,9 (1275)	
	run	1144 (844)		586 (432)	917 (676)	1238 (913)	1557 (1148)	1874 (1382)	2191 (1616)	2508 (1850)							
	end	1712 (1263)		649 (479)	1246 (919)	1843 (1359)	2440 (1800)	3036 (2239)	3633 (2680)	4230 (3120)							
LPS-15C-255X-FC2-1	start	937 (691)		1036 (764)	1411 (1041)	1786 (1317)	2160 (1593)	2534 (1869)	2909 (2146)	3284 (2422)	4033 (2975)			9,6 (139)	6000 (4425)	9,2 (561)	
	run	542 (400)		160 (118)	332 (245)	475 (350)	615 (454)	754 (556)	893 (659)	1031 (760)	1307 (964)						
	end	1151 (849)		160 (118)	361 (266)	562 (415)	764 (563)	965 (712)	1166 (860)	1368 (1009)	1770 (1305)						
LPS-15C-285X-FC2-1	start	935 (690)	1126 (830)	1594 (1176)	2061 (1520)	2529 (1865)	2997 (2210)	3465 (2556)	3933 (2901)	4400 (3245)	5336 (3936)			7,7 (112)	6000 (4425)	11,6 (708)	
	run	541 (399)	208 (153)	402 (296)	578 (426)	752 (555)	925 (682)	1098 (810)	1270 (937)	1443 (1064)	1787 (1318)						
	end	1148 (847)	208 (153)	459 (339)	711 (524)	962 (710)	1214 (895)	1465 (1081)	1717 (1266)	1968 (1452)	2471 (1823)						
LPS-15C-300X-FC2-1	start	935 (690)	1377 (1016)	1895 (1398)	2414 (1780)	2932 (2163)	3450 (2545)	3969 (2927)	4487 (3309)	5005 (3691)				6,9 (100)	6000 (4425)	12,8 (781)	
	run	540 (398)	318 (235)	516 (381)	709 (523)	901 (665)	1092 (805)	1284 (947)	1474 (1087)	1665 (1228)							
	end	1146 (845)	343 (253)	622 (459)	900 (664)	1179 (870)	1458 (1075)	1736 (1280)	2015 (1486)	2294 (1692)							
LPS-15C-335X-FC2-1	start	932 (687)	2013 (1485)	2659 (1961)	3306 (2438)	3952 (2915)	4599 (3392)	5245 (3869)						5,5 (80)	6000 (4425)	16 (976)	
	run	539 (398)	560 (413)	800 (590)	1039 (766)	1278 (943)	1516 (1118)	1753 (1293)									
	end	1142 (842)	685 (505)	1032 (761)	1380 (1018)	1727 (1274)	2075 (1530)	2422 (1786)									
LPS-15C-360X-FC2-1	start	931 (687)	2510 (1851)	3257 (2402)	4003 (2952)	4750 (3503)								4,8 (70)	6000 (4425)	18,4 (1123)	
	run	538 (397)	745 (549)	1021 (753)	1296 (956)	1571 (1159)											
	end	1139 (840)	952 (702)	1354 (999)	1755 (1294)	2156 (1590)											
LPS-15C-385X-FC2-1	start	929 (685)	3044 (2245)	3897 (2874)	4751 (3504)									4,2 (61)	6000 (4425)	21,1 (1288)	
	run	536 (395)	942 (695)	1257 (927)	1572 (1159)												
	end	1135 (837)	1239 (914)	1698 (1252)	2157 (1591)												

Actuator Model	METRIC/IMPERIAL TORQUE TABLE																
	Spring Torque	barg (PSIG)	barg (PSIG)	barg (PSIG)	barg (PSIG)	barg (PSIG)	barg (PSIG)	barg (PSIG)	barg (PSIG)	barg (PSIG)	barg (PSIG)	barg (PSIG)	barg (PSIG)	barg (PSIG)	Max Operating Pressure	Max Operating Torque	Swept Volume*
		2.5 (36)	3 (44)	3.5 (51)	4 (58)	4.5 (65)	5 (73)	5.5 (80)	6 (87)	7 (102)	9 (131)	10 (145)	12 (174)				
		Output Torque Nm (ft-lb) @ supply pressure barg (PSIG)															
Nm (ft-lb)	Nm (ft-lb)	Nm (ft-lb)	Nm (ft-lb)	Nm (ft-lb)	Nm (ft-lb)	Nm (ft-lb)	Nm (ft-lb)	Nm (ft-lb)	Nm (ft-lb)	Nm (ft-lb)	Nm (ft-lb)	Nm (ft-lb)	Nm (ft-lb)	barg (PSIG)	Nm (ft-lb)	L (cu in)	
LPS-15C-255X-FC3-1	start	1427 (1052)					1439 (1061)	1814 (1338)	2188 (1614)	2563 (1890)	3312 (2443)	4810 (3548)			10,5 (152)	6000 (4425)	9,2 (561)
	run	839 (619)					222 (164)	403 (297)	549 (405)	691 (510)	970 (715)	1524 (1124)					
	end	1850 (1364)					222 (164)	423 (312)	625 (461)	826 (609)	1229 (906)	2034 (1500)					
LPS-15C-285X-FC3-1	start	1426 (1052)			1341 (989)	1808 (1334)	2276 (1679)	2744 (2024)	3212 (2369)	3680 (2714)	4615 (3404)			8,4 (122)	6000 (4425)	11,6 (708)	
	run	838 (618)			169 (125)	401 (296)	582 (429)	758 (559)	933 (688)	1106 (816)	1452 (1071)						
	end	1847 (1362)			169 (125)	420 (310)	672 (496)	923 (681)	1175 (867)	1426 (1052)	1929 (1423)						
LPS-15C-300X-FC3-1	start	1425 (1051)			1693 (1249)	2211 (1631)	2730 (2014)	3248 (2396)	3766 (2778)	4285 (3160)	5322 (3925)			7,6 (110)	6000 (4425)	12,8 (781)	
	run	838 (618)			354 (261)	558 (412)	753 (555)	946 (698)	1138 (839)	1330 (981)	1713 (1263)						
	end	1845 (1361)			358 (264)	637 (470)	916 (676)	1194 (881)	1473 (1086)	1752 (1292)	2309 (1703)						
LPS-15C-335X-FC3-1	start	1423 (1050)	1292 (953)	1939 (1430)	2585 (1907)	3232 (2384)	3878 (2860)	4524 (3337)	5171 (3814)					6,1 (88)	6000 (4425)	16 (976)	
	run	836 (617)	143 (105)	453 (334)	699 (516)	940 (693)	1180 (870)	1418 (1046)	1657 (1222)								
	end	1841 (1358)	143 (105)	490 (361)	838 (618)	1185 (874)	1533 (1131)	1880 (1387)	2228 (1643)								
LPS-15C-360X-FC3-1	start	1421 (1048)	1790 (1320)	2536 (1870)	3283 (2421)	4029 (2972)	4776 (3523)							5,3 (77)	6000 (4425)	18,4 (1123)	
	run	835 (616)	394 (291)	681 (502)	959 (707)	1236 (912)	1511 (1114)										
	end	1838 (1356)	410 (302)	812 (599)	1213 (895)	1614 (1190)	2015 (1486)										
LPS-15C-385X-FC3-1	start	1419 (1047)	2323 (1713)	3177 (2343)	4030 (2972)	4884 (3602)								4,6 (67)	6000 (4425)	21,1 (1288)	
	run	834 (615)	600 (443)	920 (679)	1236 (912)	1551 (1144)											
	end	1834 (1353)	697 (514)	1156 (853)	1615 (1191)	2074 (1530)											
LPS-15C-255X-FC3-3	start	2021 (1491)							1814 (1338)	2563 (1890)	4061 (2995)	4810 (3548)		11,5 (167)	6000 (4425)	9,2 (561)	
	run	1182 (872)							169 (125)	554 (409)	1128 (832)	1407 (1038)					
	end	2576 (1900)							169 (125)	572 (422)	1377 (1016)	1780 (1313)					
LPS-15C-285X-FC3-3	start	2020 (1490)						1995 (1471)	2463 (1817)	2931 (2162)	3866 (2851)			9,2 (133)	6000 (4425)	11,6 (708)	
	run	1181 (871)						267 (197)	513 (378)	700 (516)	1055 (778)						
	end	2573 (1898)						267 (197)	518 (382)	770 (568)	1273 (939)						

Actuator Model	METRIC/IMPERIAL TORQUE TABLE																
	Spring Torque	barg (PSIG)	barg (PSIG)	barg (PSIG)	barg (PSIG)	barg (PSIG)	barg (PSIG)	barg (PSIG)	barg (PSIG)	barg (PSIG)	barg (PSIG)	barg (PSIG)	barg (PSIG)	barg (PSIG)	Max Operating Pressure	Max Operating Torque	Swept Volume*
		2.5 (36)	3 (44)	3.5 (51)	4 (58)	4.5 (65)	5 (73)	5.5 (80)	6 (87)	7 (102)	9 (131)	10 (145)	12 (174)				
		Output Torque Nm (ft-lb) @ supply pressure barg (PSIG)															
Nm (ft-lb)	Nm (ft-lb)	Nm (ft-lb)	Nm (ft-lb)	Nm (ft-lb)	Nm (ft-lb)	Nm (ft-lb)	Nm (ft-lb)	Nm (ft-lb)	Nm (ft-lb)	Nm (ft-lb)	Nm (ft-lb)	Nm (ft-lb)	Nm (ft-lb)	barg (PSIG)	Nm (ft-lb)	L (cu in)	
LPS-15C-300X-FC3-3	start	2019 (1489)					1980 (1460)	2499 (1843)	3017 (2225)	3536 (2608)	4572 (3372)				8,3 (120)	6000 (4425)	12,8 (781)
	run	1181 (871)					259 (191)	528 (389)	733 (541)	931 (687)	1318 (972)						
	end	2571 (1896)					259 (191)	538 (397)	816 (602)	1095 (808)	1652 (1218)						
LPS-15C-335X-FC3-3	start	2017 (1488)			1836 (1354)	2482 (1831)	3129 (2308)	3775 (2784)	4421 (3261)	5068 (3738)					6,7 (97)	6000 (4425)	16 (976)
	run	1179 (870)			181 (133)	521 (384)	776 (572)	1021 (753)	1262 (931)	1502 (1108)							
	end	2567 (1893)			181 (133)	529 (390)	876 (646)	1224 (903)	1571 (1159)	1919 (1415)							
LPS-15C-360X-FC3-3	start	2015 (1486)		1787 (1318)	2533 (1868)	3280 (2419)	4026 (2969)	4773 (3520)							5,8 (84)	6000 (4425)	18,4 (1123)
	run	1178 (869)		155 (114)	542 (400)	834 (615)	1115 (822)	1393 (1027)									
	end	2564 (1891)		155 (114)	556 (410)	958 (707)	1359 (1002)	1760 (1298)									
LPS-15C-385X-FC3-3	start	2013 (1485)		2427 (1790)	3281 (2420)	4135 (3050)	4989 (3680)								5 (73)	6000 (4425)	21,1 (1288)
	run	1177 (868)		498 (367)	834 (615)	1155 (852)	1473 (1086)										
	end	2560 (1888)		499 (368)	958 (707)	1417 (1045)	1876 (1384)										
LPS-20A-335X-FC2-2	start	3120 (2301)			1715 (1265)	2279 (1681)	2843 (2097)	3406 (2512)	3970 (2928)	4534 (3344)	5661 (4175)	7915 (5838)	9042 (6669)		12 (174)	12000 (8851)	20 (1220)
	run	1429 (1054)			489 (361)	905 (667)	1234 (910)	1556 (1148)	1876 (1384)	2194 (1618)	2829 (2087)	4096 (3021)	4729 (3488)				
	end	2105 (1553)			489 (361)	1087 (802)	1684 (1242)	2282 (1683)	2879 (2123)	3477 (2564)	4672 (3446)	7062 (5209)	8258 (6091)				
LPS-20A-360X-FC2-2	start	3117 (2299)		1673 (1234)	2324 (1714)	2974 (2194)	3625 (2674)	4276 (3154)	4927 (3634)	5578 (4114)	6880 (5074)	9483 (6994)	10785 (7955)		10,9 (158)	12000 (8851)	23,1 (1410)
	run	1428 (1053)		444 (327)	932 (687)	1309 (965)	1680 (1239)	2049 (1511)	2416 (1782)	2782 (2052)	3514 (2592)	4977 (3671)	5708 (4210)				
	end	2102 (1550)		444 (327)	1134 (836)	1824 (1345)	2514 (1854)	3204 (2363)	3894 (2872)	4584 (3381)	5965 (4400)	8725 (6435)	10105 (7453)				
LPS-20A-385X-FC2-2	start	3115 (2298)	1487 (1097)	2231 (1645)	2976 (2195)	3720 (2744)	4464 (3292)	5209 (3842)	5953 (4391)	6698 (4940)	8186 (6038)				9,5 (138)	12000 (8851)	26,4 (1611)
	run	1426 (1052)	247 (182)	877 (647)	1310 (966)	1734 (1279)	2155 (1589)	2574 (1898)	2993 (2208)	3411 (2516)	4248 (3133)						
	end	2099 (1548)	247 (182)	1036 (764)	1825 (1346)	2614 (1928)	3404 (2511)	4193 (3093)	4982 (3675)	5772 (4257)	7350 (5421)						
LPS-20A-435X-FC2-2	start	3108 (2292)	2510 (1851)	3460 (2552)	4411 (3253)	5361 (3954)	6311 (4655)	7262 (5356)	8212 (6057)	9162 (6758)					7,4 (107)	12000 (8851)	33,7 (2057)
	run	1423 (1050)	1041 (768)	1587 (1171)	2125 (1567)	2660 (1962)	3194 (2356)	3728 (2750)	4262 (3143)	4796 (3537)							
	end	2093 (1544)	1332 (982)	2339 (1725)	3347 (2469)	4354 (3211)	5362 (3955)	6370 (4698)	7377 (5441)	8385 (6184)							

Limitorque™ LPS Series Actuator

Actuator Model	METRIC/IMPERIAL TORQUE TABLE																			
	Spring Torque	barg (PSIG)	barg (PSIG)	barg (PSIG)	barg (PSIG)	barg (PSIG)	barg (PSIG)	barg (PSIG)	barg (PSIG)	barg (PSIG)	barg (PSIG)	barg (PSIG)	barg (PSIG)	barg (PSIG)	Max Operating Pressure	Max Operating Torque	Swept Volume*			
		2.5 (36)	3 (44)	3.5 (51)	4 (58)	4.5 (65)	5 (73)	5.5 (80)	6 (87)	7 (102)	9 (131)	10 (145)	12 (174)							
		Output Torque Nm (ft-lb) @ supply pressure barg (PSIG)																		
Nm (ft-lb)	Nm (ft-lb)	Nm (ft-lb)	Nm (ft-lb)	Nm (ft-lb)	Nm (ft-lb)	Nm (ft-lb)	Nm (ft-lb)	Nm (ft-lb)	Nm (ft-lb)	Nm (ft-lb)	Nm (ft-lb)	Nm (ft-lb)	Nm (ft-lb)	barg (PSIG)	Nm (ft-lb)	L (cu in)				
LPS-20A-485X-FC2-2	start	3102 (2288)	3658 (2698)	4840 (3570)	6021 (4441)	7202 (5312)	8384 (6184)	9565 (7055)	10746 (7926)						6 (87)	12000 (8851)	41,9 (2557)			
	run	1419 (1047)	1699 (1253)	2366 (1745)	3031 (2236)	3695 (2725)	4359 (3215)	5023 (3705)	5687 (4195)											
	end	2085 (1538)	2549 (1880)	3802 (2804)	5054 (3728)	6307 (4652)	7559 (5575)	8812 (6499)	10064 (7423)											
LPS-20A-335X-FC2-3	start	4045 (2983)					2246 (1657)	2809 (2072)	3373 (2488)	3937 (2904)	5064 (3735)	7318 (5397)	8446 (6229)	10700 (7892)	12 (174)	12000 (8851)	20 (1220)			
	run	1838 (1356)					600 (443)	1067 (787)	1401 (1033)	1726 (1273)	2369 (1747)	3641 (2685)	4274 (3152)	5541 (4087)						
	end	2678 (1975)					600 (443)	1198 (884)	1795 (1324)	2393 (1765)	3588 (2646)	5978 (4409)	7174 (5291)	9564 (7054)						
LPS-20A-360X-FC2-3	start	4042 (2981)				2378 (1754)	3028 (2233)	3679 (2713)	4330 (3194)	4981 (3674)	6283 (4634)	8886 (6554)	10188 (7514)		11,3 (164)	12000 (8851)	23,1 (1410)			
	run	1837 (1355)				740 (546)	1198 (884)	1578 (1164)	1952 (1440)	2322 (1713)	3058 (2255)	4522 (3335)	5253 (3874)							
	end	2675 (1973)				740 (546)	1430 (1055)	2120 (1564)	2810 (2073)	3500 (2581)	4881 (3600)	7641 (5636)	9021 (6654)							
LPS-20A-385X-FC2-3	start	4040 (2980)			2379 (1755)	3123 (2303)	3868 (2853)	4612 (3402)	5356 (3950)	6101 (4500)	7590 (5598)	10567 (7794)			9,9 (144)	12000 (8851)	26,4 (1611)			
	run	1835 (1353)			741 (547)	1254 (925)	1687 (1244)	2112 (1558)	2534 (1869)	2955 (2179)	3793 (2798)	5466 (4032)								
	end	2672 (1971)			741 (547)	1530 (1128)	2320 (1711)	3109 (2293)	3898 (2875)	4688 (3458)	6266 (4622)	9423 (6950)								
LPS-20A-435X-FC2-3	start	4033 (2975)	1913 (1411)	2864 (2112)	3814 (2813)	4764 (3514)	5714 (4214)	6665 (4916)	7615 (5617)	8566 (6318)	10466 (7719)				7,8 (113)	12000 (8851)	33,7 (2057)			
	run	1832 (1351)	248 (183)	1100 (811)	1656 (1221)	2199 (1622)	2737 (2019)	3273 (2414)	3808 (2809)	4342 (3202)	5410 (3990)									
	end	2665 (1966)	248 (183)	1255 (926)	2263 (1669)	3270 (2412)	4278 (3155)	5286 (3899)	6293 (4641)	7301 (5385)	9316 (6871)									
LPS-20A-485X-FC2-3	start	4027 (2970)	3061 (2258)	4243 (3129)	5424 (4001)	6605 (4872)	7787 (5743)	8968 (6614)	10150 (7486)						6,2 (90)	12000 (8851)	41,9 (2557)			
	run	1828 (1348)	1218 (898)	1902 (1403)	2573 (1898)	3239 (2389)	3904 (2879)	4568 (3369)	5232 (3859)											
	end	2658 (1960)	1465 (1081)	2718 (2005)	3970 (2928)	5223 (3852)	6475 (4776)	7728 (5700)	8980 (6623)											
LPS-20A-335X-FC3-1	start	4703 (3469)						2194 (1618)	2758 (2034)	3321 (2449)	4449 (3281)	6703 (4944)	7830 (5775)	10085 (7438)	12 (174)	12000 (8851)	20 (1220)			
	run	2182 (1609)						427 (315)	991 (731)	1332 (982)	1984 (1463)	3262 (2406)	3897 (2874)	5164 (3809)						
	end	3268 (2410)						427 (315)	1024 (755)	1622 (1196)	2817 (2078)	5208 (3841)	6403 (4723)	8793 (6485)						
LPS-20A-360X-FC3-1	start	4700 (3467)					2413 (1780)	3064 (2260)	3715 (2740)	4366 (3220)	5668 (4180)	8271 (6100)	9573 (7061)		11,8 (171)	12000 (8851)	23,1 (1410)			
	run	2180 (1608)					659 (486)	1179 (870)	1562 (1152)	1937 (1429)	2677 (1974)	4145 (3057)	4876 (3596)							
	end	3265 (2408)					659 (486)	1349 (995)	2039 (1504)	2730 (2014)	4110 (3031)	6870 (5067)	8250 (6085)							

Actuator Model		METRIC/IMPERIAL TORQUE TABLE														Max Operating Pressure	Max Operating Torque	Swept Volume*
		Spring Torque	barg (PSIG)	barg (PSIG)	barg (PSIG)	barg (PSIG)	barg (PSIG)	barg (PSIG)	barg (PSIG)	barg (PSIG)	barg (PSIG)	barg (PSIG)	barg (PSIG)	barg (PSIG)	barg (PSIG)			
			2.5 (36)	3 (44)	3.5 (51)	4 (58)	4.5 (65)	5 (73)	5.5 (80)	6 (87)	7 (102)	9 (131)	10 (145)	12 (174)				
			Output Torque Nm (ft-lb) @ supply pressure barg (PSIG)															
Nm (ft-lb)	Nm (ft-lb)	Nm (ft-lb)	Nm (ft-lb)	Nm (ft-lb)	Nm (ft-lb)	Nm (ft-lb)	Nm (ft-lb)	Nm (ft-lb)	Nm (ft-lb)	Nm (ft-lb)	Nm (ft-lb)	Nm (ft-lb)	Nm (ft-lb)	Nm (ft-lb)	barg (PSIG)	Nm (ft-lb)	L (cu in)	
LPS-20A-385X-FC3-1	start	4697 (3464)				2508 (1850)	3252 (2399)	3997 (2948)	4741 (3497)	5486 (4046)	6974 (5144)	9952 (7340)				10,3 (149)	12000 (8851)	26,4 (1611)
	run	2178 (1606)				760 (561)	1292 (953)	1725 (1272)	2152 (1587)	2574 (1898)	3415 (2519)	5089 (3753)						
	end	3262 (2406)				760 (561)	1549 (1142)	2338 (1724)	3127 (2306)	3917 (2889)	5495 (4053)	8652 (6381)						
LPS-20A-435X-FC3-1	start	4691 (3460)		2248 (1658)	3199 (2359)	4149 (3060)	5099 (3761)	6050 (4462)	7000 (5163)	7950 (5864)	9851 (7266)					8,1 (117)	12000 (8851)	33,7 (2057)
	run	2175 (1604)		484 (357)	1260 (929)	1813 (1337)	2355 (1737)	2893 (2134)	3429 (2529)	3964 (2924)	5032 (3711)							
	end	3255 (2401)		484 (357)	1492 (1100)	2500 (1844)	3507 (2587)	4515 (3330)	5522 (4073)	6530 (4816)	8545 (6302)							
LPS-20A-485X-FC3-1	start	4684 (3455)	2446 (1804)	3628 (2676)	4809 (3547)	5990 (4418)	7172 (5290)	8353 (6161)	9534 (7032)	10716 (7904)						6,5 (94)	12000 (8851)	41,9 (2557)
	run	2171 (1601)	694 (512)	1512 (1115)	2190 (1615)	2860 (2109)	3526 (2601)	4191 (3091)	4854 (3580)	5518 (4070)								
	end	3248 (2396)	694 (512)	1947 (1436)	3199 (2359)	4452 (3284)	5704 (4207)	6957 (5131)	8209 (6055)	9462 (6979)								
LPS-20A-335X-FC3-2	start	5628 (4151)								2725 (2010)	3852 (2841)	6106 (4504)	7234 (5336)	9488 (6998)		12 (174)	12000 (8851)	20 (1220)
	run	2591 (1911)								538 (397)	1495 (1103)	2798 (2064)	3438 (2536)	4709 (3473)				
	end	3840 (2832)								538 (397)	1733 (1278)	4124 (3042)	5319 (3923)	7709 (5686)				
LPS-20A-360X-FC3-2	start	5625 (4149)						2467 (1820)	3118 (2300)	3769 (2780)	5071 (3740)	7674 (5660)	8976 (6620)		12 (174)	12000 (8851)	23,1 (1410)	
	run	2589 (1910)						266 (196)	956 (705)	1446 (1067)	2207 (1628)	3687 (2719)	4420 (3260)					
	end	3837 (2830)						266 (196)	956 (705)	1646 (1214)	3026 (2232)	5786 (4268)	7166 (5285)					
LPS-20A-385X-FC3-2	start	5622 (4147)					2656 (1959)	3400 (2508)	4144 (3056)	4889 (3606)	6378 (4704)	9355 (6900)			10,7 (155)	12000 (8851)	26,4 (1611)	
	run	2587 (1908)					465 (343)	1218 (898)	1669 (1231)	2102 (1550)	2953 (2178)	4634 (3418)						
	end	3834 (2828)					465 (343)	1254 (925)	2044 (1508)	2833 (2090)	4411 (3253)	7568 (5582)						
LPS-20A-435X-FC3-2	start	5616 (4142)			2602 (1919)	3552 (2620)	4503 (3321)	5453 (4022)	6403 (4723)	7354 (5424)	9254 (6825)				8,4 (122)	12000 (8851)	33,7 (2057)	
	run	2584 (1906)			408 (301)	1314 (969)	1878 (1385)	2426 (1789)	2967 (2188)	3505 (2585)	4577 (3376)							
	end	3828 (2823)			408 (301)	1416 (1044)	2423 (1787)	3431 (2531)	4438 (3273)	5446 (4017)	7461 (5503)							
LPS-20A-485X-FC3-2	start	5609 (4137)		3031 (2236)	4212 (3107)	5394 (3978)	6575 (4849)	7756 (5721)	8938 (6592)	10119 (7463)					6,7 (97)	12000 (8851)	41,9 (2557)	
	run	2580 (1903)		863 (637)	1709 (1260)	2392 (1764)	3064 (2260)	3733 (2753)	4399 (3245)	5064 (3735)								
	end	3820 (2817)		863 (637)	2115 (1560)	3368 (2484)	4620 (3408)	5873 (4332)	7126 (5256)	8378 (6179)								

Actuator Model	METRIC/IMPERIAL TORQUE TABLE																			
	Spring Torque	barg (PSIG)	barg (PSIG)	barg (PSIG)	barg (PSIG)	barg (PSIG)	barg (PSIG)	barg (PSIG)	barg (PSIG)	barg (PSIG)	barg (PSIG)	barg (PSIG)	barg (PSIG)	barg (PSIG)	Max Operating Pressure	Max Operating Torque	Swept Volume*			
		2.5 (36)	3 (44)	3.5 (51)	4 (58)	4.5 (65)	5 (73)	5.5 (80)	6 (87)	7 (102)	9 (131)	10 (145)	12 (174)							
		Output Torque Nm (ft-lb) @ supply pressure barg (PSIG)																		
Nm (ft-lb)	Nm (ft-lb)	Nm (ft-lb)	Nm (ft-lb)	Nm (ft-lb)	Nm (ft-lb)	Nm (ft-lb)	Nm (ft-lb)	Nm (ft-lb)	Nm (ft-lb)	Nm (ft-lb)	Nm (ft-lb)	Nm (ft-lb)	Nm (ft-lb)	barg (PSIG)	Nm (ft-lb)	L (cu in)				
LPS-20A-335X-FC3-3	start	6244 (4605)												3395 (2504)	5649 (4166)	6776 (4998)	9031 (6661)	12 (174)	12000 (8851)	20 (1220)
	run	2879 (2123)												1011 (746)	2468 (1820)	3112 (2295)	4387 (3236)			
	end	4279 (3156)												1011 (746)	3402 (2509)	4597 (3391)	6987 (5153)			
LPS-20A-360X-FC3-3	start	6241 (4603)								3312 (2443)	4614 (3403)	7217 (5323)	8519 (6283)		12 (174)	12000 (8851)	23,1 (1410)			
	run	2878 (2123)								924 (682)	1867 (1377)	3362 (2480)	4098 (3023)							
	end	4276 (3154)								924 (682)	2304 (1699)	5064 (3735)	6444 (4753)							
LPS-20A-385X-FC3-3	start	6239 (4602)						2943 (2171)	3687 (2719)	4432 (3269)	5921 (4367)	8898 (6563)	10387 (7661)		11 (160)	12000 (8851)	26,4 (1611)			
	run	2876 (2121)					532 (392)	1306 (963)	1760 (1298)	2624 (1935)	4312 (3180)	5151 (3799)								
	end	4273 (3152)					532 (392)	1321 (974)	2111 (1557)	3689 (2721)	6846 (5049)	8425 (6214)								
LPS-20A-435X-FC3-3	start	6232 (4596)				3095 (2283)	4046 (2984)	4996 (3685)	5946 (4386)	6896 (5086)	8797 (6488)				8,6 (125)	12000 (8851)	33,7 (2057)			
	run	2873 (2119)				694 (512)	1528 (1127)	2090 (1542)	2638 (1946)	3180 (2345)	4255 (3138)									
	end	4266 (3146)				694 (512)	1701 (1255)	2709 (1998)	3716 (2741)	4724 (3484)	6739 (4970)									
LPS-20A-485X-FC3-3	start	6225 (4591)			3755 (2770)	4936 (3641)	6118 (4512)	7299 (5383)	8480 (6255)	9662 (7126)					6,9 (100)	12000 (8851)	41,9 (2557)			
	run	2869 (2116)			1349 (995)	2056 (1516)	2736 (2018)	3408 (2514)	4076 (3006)	4742 (3498)										
	end	4259 (3141)			1393 (1027)	2646 (1952)	3898 (2875)	5151 (3799)	6403 (4723)	7656 (5647)										
LPS-20A-335X-FC4-2	start	7258 (5353)											4237 (3125)	5364 (3956)	7619 (5619)	12 (174)	12000 (8851)	20 (1220)		
	run	3531 (2604)											1746 (1288)	2396 (1767)	3675 (2711)					
	end	5633 (4155)											2213 (1632)	3408 (2514)	5799 (4277)					
LPS-20A-360X-FC4-2	start	7256 (5352)											3202 (2362)	5805 (4282)	7107 (5242)	9711 (7162)	12 (174)	12000 (8851)	23,1 (1410)	
	run	3529 (2603)											1115 (822)	2648 (1953)	3386 (2497)	4853 (3579)				
	end	5630 (4152)											1115 (822)	3876 (2859)	5256 (3877)	8016 (5912)				
LPS-20A-385X-FC4-2	start	7253 (5350)								3020 (2227)	4509 (3326)	7486 (5521)	8975 (6620)		12 (174)	12000 (8851)	26,4 (1611)			
	run	3528 (2602)								922 (680)	1904 (1404)	3600 (2655)	4439 (3274)							
	end	5627 (4150)								922 (680)	2501 (1845)	5658 (4173)	7236 (5337)							

Actuator Model	METRIC/IMPERIAL TORQUE TABLE																
	Spring Torque	barg (PSIG)	barg (PSIG)	barg (PSIG)	barg (PSIG)	barg (PSIG)	barg (PSIG)	barg (PSIG)	barg (PSIG)	barg (PSIG)	barg (PSIG)	barg (PSIG)	barg (PSIG)	barg (PSIG)	Max Operating Pressure	Max Operating Torque	Swept Volume*
		2.5 (36)	3 (44)	3.5 (51)	4 (58)	4.5 (65)	5 (73)	5.5 (80)	6 (87)	7 (102)	9 (131)	10 (145)	12 (174)				
		Output Torque Nm (ft-lb) @ supply pressure barg (PSIG)															
Nm (ft-lb)	Nm (ft-lb)	Nm (ft-lb)	Nm (ft-lb)	Nm (ft-lb)	Nm (ft-lb)	Nm (ft-lb)	Nm (ft-lb)	Nm (ft-lb)	Nm (ft-lb)	Nm (ft-lb)	Nm (ft-lb)	Nm (ft-lb)	barg (PSIG)	Nm (ft-lb)	L (cu in)		
LPS-20A-435X-FC4-2	start	7247 (5345)					2634 (1943)	3584 (2643)	4534 (3344)	5484 (4045)	7385 (5447)				9,4 (136)	12000 (8851)	33,7 (2057)
	run	3524 (2599)					513 (378)	1359 (1002)	1919 (1415)	2465 (1818)	3543 (2613)						
	end	5621 (4146)					513 (378)	1520 (1121)	2528 (1865)	3536 (2608)	5551 (4094)						
LPS-20A-485X-FC4-2	start	7240 (5340)				3524 (2599)	4706 (3471)	5887 (4342)	7068 (5213)	8250 (6085)	10612 (7827)				7,5 (109)	12000 (8851)	41,9 (2557)
	run	3520 (2596)				1323 (976)	2018 (1488)	2694 (1987)	3364 (2481)	4031 (2973)	5360 (3953)						
	end	5613 (4140)				1457 (1075)	2710 (1999)	3962 (2922)	5215 (3846)	6468 (4771)	8973 (6618)						
LPS-20C-335X-FC2-2	start	2544 (1876)			2688 (1983)	3543 (2613)	4398 (3244)	5252 (3874)	6107 (4504)	6962 (5135)	8672 (6396)				8,9 (129)	12000 (8851)	20,4 (1245)
	run	1474 (1087)			376 (277)	793 (585)	1124 (829)	1446 (1067)	1764 (1301)	2082 (1536)	2714 (2002)						
	end	3143 (2318)			376 (277)	836 (617)	1295 (955)	1755 (1294)	2214 (1633)	2674 (1972)	3593 (2650)						
LPS-20C-360X-FC2-2	start	2542 (1875)		2623 (1935)	3610 (2663)	4598 (3391)	5585 (4119)	6572 (4847)	7559 (5575)	8546 (6303)	10521 (7760)				7,7 (112)	12000 (8851)	23,6 (1440)
	run	1472 (1086)		341 (252)	820 (605)	1200 (885)	1570 (1158)	1937 (1429)	2303 (1699)	2668 (1968)	3396 (2505)						
	end	3139 (2315)		341 (252)	872 (643)	1403 (1035)	1933 (1426)	2464 (1817)	2995 (2209)	3526 (2601)	4587 (3383)						
LPS-20C-385X-FC2-2	start	2540 (1873)		3470 (2559)	4599 (3392)	5728 (4225)	6857 (5057)	7986 (5890)	9116 (6724)	10245 (7556)					6,7 (97)	12000 (8851)	27 (1648)
	run	1471 (1085)		764 (563)	1200 (885)	1623 (1197)	2043 (1507)	2461 (1815)	2878 (2123)	3294 (2430)							
	end	3135 (2312)		796 (587)	1404 (1036)	2010 (1482)	2618 (1931)	3224 (2378)	3831 (2826)	4438 (3273)							
LPS-20C-435X-FC2-2	start	2535 (1870)	3893 (2871)	5335 (3935)	6776 (4998)	8217 (6061)	9659 (7124)								5,3 (77)	12000 (8851)	34,4 (2099)
	run	1467 (1082)	931 (687)	1476 (1089)	2013 (1485)	2546 (1878)	3078 (2270)										
	end	3124 (2304)	1024 (755)	1799 (1327)	2574 (1898)	3349 (2470)	4124 (3042)										
LPS-20C-485X-FC2-2	start	2529 (1865)	5635 (4156)	7426 (5477)	9218 (6799)										4,2 (61)	12000 (8851)	42,8 (2612)
	run	1463 (1079)	1588 (1171)	2254 (1662)	2916 (2151)												
	end	3113 (2296)	1960 (1446)	2923 (2156)	3887 (2867)												
LPS-20C-335X-FC2-3	start	3298 (2432)					3522 (2598)	4377 (3228)	5232 (3859)	6087 (4490)	7797 (5751)				9,4 (136)	12000 (8851)	20,4 (1245)
	run	1898 (1400)					462 (341)	912 (673)	1253 (924)	1580 (1165)	2221 (1638)						
	end	3992 (2944)					462 (341)	922 (680)	1381 (1019)	1841 (1358)	2760 (2036)						

Limitorque™ LPS Series Actuator

Actuator Model	METRIC/IMPERIAL TORQUE TABLE																
	Spring Torque	barg (PSIG)	barg (PSIG)	barg (PSIG)	barg (PSIG)	barg (PSIG)	barg (PSIG)	barg (PSIG)	barg (PSIG)	barg (PSIG)	barg (PSIG)	barg (PSIG)	barg (PSIG)	barg (PSIG)	Max Operating Pressure	Max Operating Torque	Swept Volume*
		2.5 (36)	3 (44)	3.5 (51)	4 (58)	4.5 (65)	5 (73)	5.5 (80)	6 (87)	7 (102)	9 (131)	10 (145)	12 (174)				
		Output Torque Nm (ft-lb) @ supply pressure barg (PSIG)															
Nm (ft-lb)	Nm (ft-lb)	Nm (ft-lb)	Nm (ft-lb)	Nm (ft-lb)	Nm (ft-lb)	Nm (ft-lb)	Nm (ft-lb)	Nm (ft-lb)	Nm (ft-lb)	Nm (ft-lb)	Nm (ft-lb)	Nm (ft-lb)	Nm (ft-lb)	barg (PSIG)	Nm (ft-lb)	L (cu in)	
LPS-20C-360X-FC2-3	start	3296 (2431)				3722 (2745)	4710 (3474)	5697 (4202)	6684 (4930)	7671 (5658)	9646 (7115)				8,1 (117)	12000 (8851)	23,6 (1440)
	run	1897 (1399)				570 (420)	1048 (773)	1432 (1056)	1805 (1331)	2174 (1603)	2907 (2144)						
	end	3987 (2941)				570 (420)	1100 (811)	1631 (1203)	2162 (1595)	2692 (1986)	3754 (2769)						
LPS-20C-385X-FC2-3	start	3293 (2429)			3724 (2747)	4853 (3579)	5982 (4412)	7111 (5245)	8240 (6078)	9370 (6911)					7,1 (103)	12000 (8851)	27 (1648)
	run	1895 (1398)			570 (420)	1105 (815)	1540 (1136)	1965 (1449)	2386 (1760)	2805 (2069)							
	end	3983 (2938)			570 (420)	1177 (868)	1784 (1316)	2391 (1764)	2998 (2211)	3605 (2659)							
LPS-20C-435X-FC2-3	start	3288 (2425)		4460 (3290)	5901 (4352)	7342 (5415)	8784 (6479)	10225 (7542)							5,6 (81)	12000 (8851)	34,4 (2099)
	run	1892 (1395)		946 (698)	1509 (1113)	2051 (1513)	2588 (1909)	3121 (2302)									
	end	3973 (2930)		966 (712)	1741 (1284)	2516 (1856)	3290 (2427)	4065 (2998)									
LPS-20C-485X-FC2-3	start	3283 (2421)	4760 (3511)	6551 (4832)	8343 (6153)	10135 (7475)									4,5 (65)	12000 (8851)	42,8 (2612)
	run	1888 (1393)	1068 (788)	1755 (1294)	2424 (1788)	3088 (2278)											
	end	3962 (2922)	1127 (831)	2090 (1542)	3054 (2253)	4017 (2963)											
LPS-20C-335X-FC3-1	start	3834 (2828)						3452 (2546)	4307 (3177)	5162 (3807)	6872 (5069)	10291 (7590)			9,9 (144)	12000 (8851)	20,4 (1245)
	run	2243 (1654)						329 (243)	788 (581)	1173 (865)	1828 (1348)	3102 (2288)					
	end	4889 (3606)						329 (243)	788 (581)	1248 (920)	2167 (1598)	4005 (2954)					
LPS-20C-360X-FC3-1	start	3832 (2826)					3784 (2791)	4772 (3520)	5759 (4248)	6746 (4976)	8721 (6432)			8,6 (125)	12000 (8851)	23,6 (1440)	
	run	2242 (1654)					508 (375)	1016 (749)	1406 (1037)	1781 (1314)	2519 (1858)						
	end	4884 (3602)					508 (375)	1038 (766)	1569 (1157)	2100 (1549)	3161 (2331)						
LPS-20C-385X-FC3-1	start	3830 (2825)				3928 (2897)	5057 (3730)	6186 (4563)	7315 (5395)	8444 (6228)	10703 (7894)			7,5 (109)	12000 (8851)	27 (1648)	
	run	2240 (1652)				585 (431)	1132 (835)	1569 (1157)	1995 (1471)	2416 (1782)	3254 (2400)						
	end	4880 (3599)				585 (431)	1192 (879)	1799 (1327)	2406 (1775)	3013 (2222)	4227 (3118)						
LPS-20C-435X-FC3-1	start	3825 (2821)		3534 (2607)	4976 (3670)	6417 (4733)	7859 (5796)	9300 (6859)	10742 (7923)					5,9 (86)	12000 (8851)	34,4 (2099)	
	run	2236 (1649)		373 (275)	1099 (811)	1656 (1221)	2198 (1621)	2734 (2016)	3268 (2410)								
	end	4870 (3592)		373 (275)	1148 (847)	1923 (1418)	2698 (1990)	3473 (2562)	4248 (3133)								

Limitorque™ LPS Series Actuator

Actuator Model	METRIC/IMPERIAL TORQUE TABLE																			
	Spring Torque	barg (PSIG)	barg (PSIG)	barg (PSIG)	barg (PSIG)	barg (PSIG)	barg (PSIG)	barg (PSIG)	barg (PSIG)	barg (PSIG)	barg (PSIG)	barg (PSIG)	barg (PSIG)	barg (PSIG)	Max Operating Pressure	Max Operating Torque	Swept Volume*			
		2.5 (36)	3 (44)	3.5 (51)	4 (58)	4.5 (65)	5 (73)	5.5 (80)	6 (87)	7 (102)	9 (131)	10 (145)	12 (174)							
		Output Torque Nm (ft-lb) @ supply pressure barg (PSIG)																		
Nm (ft-lb)	Nm (ft-lb)	Nm (ft-lb)	Nm (ft-lb)	Nm (ft-lb)	Nm (ft-lb)	Nm (ft-lb)	Nm (ft-lb)	Nm (ft-lb)	Nm (ft-lb)	Nm (ft-lb)	Nm (ft-lb)	Nm (ft-lb)	Nm (ft-lb)	barg (PSIG)	Nm (ft-lb)	L (cu in)				
LPS-20C-485X-FC3-1	start	3819 (2817)	3834 (2828)	5626 (4150)	7418 (5471)	9210 (6793)									4,7 (68)	12000 (8851)	42,8 (2612)			
	run	2233 (1647)	534 (394)	1354 (999)	2033 (1499)	2701 (1992)														
	end	4858 (3583)	534 (394)	1498 (1105)	2461 (1815)	3424 (2525)														
LPS-20C-335X-FC3-2	start	4589 (3385)							4285 (3160)	5994 (4421)	9414 (6943)			10,5 (152)	12000 (8851)	20,4 (1245)				
	run	2668 (1968)							414 (305)	1294 (954)	2604 (1921)									
	end	5739 (4233)							414 (305)	1333 (983)	3171 (2339)									
LPS-20C-360X-FC3-2	start	4587 (3383)							4882 (3601)	5869 (4329)	7844 (5785)			9,1 (132)	12000 (8851)	23,6 (1440)				
	run	2667 (1967)							735 (542)	1242 (916)	2013 (1485)									
	end	5735 (4230)							735 (542)	1266 (934)	2327 (1716)									
LPS-20C-385X-FC3-2	start	4584 (3381)				4180 (3083)	5309 (3916)	6438 (4748)	7567 (5581)	9826 (7247)				7,9 (115)	12000 (8851)	27 (1648)				
	run	2665 (1966)				358 (264)	964 (711)	1472 (1086)	1908 (1407)	2758 (2034)										
	end	5730 (4226)				358 (264)	964 (711)	1572 (1159)	2178 (1606)	3392 (2502)										
LPS-20C-435X-FC3-2	start	4579 (3377)			4099 (3023)	5540 (4086)	6982 (5150)	8423 (6212)	9864 (7275)					6,2 (90)	12000 (8851)	34,4 (2099)				
	run	2662 (1963)			314 (232)	1089 (803)	1683 (1241)	2232 (1646)	2772 (2045)											
	end	5720 (4219)			314 (232)	1089 (803)	1864 (1375)	2638 (1946)	3413 (2517)											
LPS-20C-485X-FC3-2	start	4574 (3374)		4749 (3503)	6541 (4824)	8333 (6146)	10125 (7468)							5 (73)	12000 (8851)	42,8 (2612)				
	run	2658 (1960)		664 (490)	1512 (1115)	2198 (1621)	2869 (2116)													
	end	5709 (4211)		664 (490)	1627 (1200)	2590 (1910)	3553 (2621)													
LPS-20C-335X-FC3-3	start	5091 (3755)								5317 (3922)	8737 (6444)	10446 (7705)		10,9 (158)	12000 (8851)	20,4 (1245)				
	run	2964 (2186)								778 (574)	2254 (1662)	2897 (2137)								
	end	6396 (4717)								778 (574)	2616 (1929)	3535 (2607)								
LPS-20C-360X-FC3-3	start	5089 (3753)								5192 (3829)	7166 (5285)			9,4 (136)	12000 (8851)	23,6 (1440)				
	run	2963 (2185)								711 (524)	1651 (1218)									
	end	6391 (4714)								711 (524)	1772 (1307)									

Actuator Model	METRIC/IMPERIAL TORQUE TABLE																			
	Spring Torque	barg (PSIG)	barg (PSIG)	barg (PSIG)	barg (PSIG)	barg (PSIG)	barg (PSIG)	barg (PSIG)	barg (PSIG)	barg (PSIG)	barg (PSIG)	barg (PSIG)	barg (PSIG)	barg (PSIG)	Max Operating Pressure	Max Operating Torque	Swept Volume*			
		2.5 (36)	3 (44)	3.5 (51)	4 (58)	4.5 (65)	5 (73)	5.5 (80)	6 (87)	7 (102)	9 (131)	10 (145)	12 (174)							
		Output Torque Nm (ft-lb) @ supply pressure barg (PSIG)																		
Nm (ft-lb)	Nm (ft-lb)	Nm (ft-lb)	Nm (ft-lb)	Nm (ft-lb)	Nm (ft-lb)	Nm (ft-lb)	Nm (ft-lb)	Nm (ft-lb)	Nm (ft-lb)	Nm (ft-lb)	Nm (ft-lb)	Nm (ft-lb)	Nm (ft-lb)	barg (PSIG)	Nm (ft-lb)	L (cu in)				
LPS-20C-385X-FC3-3	start	5086 (3751)						4632 (3416)	5761 (4249)	6890 (5082)	9148 (6747)				8,2 (119)	12000 (8851)	27 (1648)			
	run	2961 (2184)						410 (302)	1017 (750)	1542 (1137)	2410 (1778)									
	end	6387 (4711)						410 (302)	1017 (750)	1624 (1198)	2838 (2093)									
LPS-20C-435X-FC3-3	start	5081 (3748)			4863 (3587)	6304 (4650)	7746 (5713)	9187 (6776)	10628 (7839)						6,4 (93)	12000 (8851)	34,4 (2099)			
	run	2958 (2182)			534 (394)	1301 (960)	1876 (1384)	2425 (1789)	2965 (2187)											
	end	6377 (4703)			534 (394)	1309 (965)	2084 (1537)	2858 (2108)	3633 (2680)											
LPS-20C-485X-FC3-3	start	5076 (3744)			5864 (4325)	7656 (5647)	9447 (6968)								5,2 (75)	12000 (8851)	42,8 (2612)			
	run	2954 (2179)			1072 (791)	1841 (1358)	2523 (1861)													
	end	6365 (4695)			1072 (791)	2035 (1501)	2998 (2211)													
LPS-20C-335X-FC4-2	start	5918 (4365)									6575 (4849)	8285 (6111)		12 (174)	12000 (8851)	20,4 (1245)				
	run	3596 (2652)									1557 (1148)	2208 (1629)								
	end	8491 (6263)									1702 (1255)	2621 (1933)								
LPS-20C-360X-FC4-2	start	5916 (4363)									5005 (3691)	8954 (6604)		10,5 (152)	12000 (8851)	23,6 (1440)				
	run	3595 (2652)									858 (633)	2459 (1814)								
	end	8487 (6260)									858 (633)	2981 (2199)								
LPS-20C-385X-FC4-2	start	5913 (4361)								4728 (3487)	6987 (5153)			9,2 (133)	12000 (8851)	27 (1648)				
	run	3593 (2650)									710 (524)	1716 (1266)								
	end	8482 (6256)									710 (524)	1924 (1419)								
LPS-20C-435X-FC4-2	start	5908 (4358)				4143 (3056)	5584 (4119)	7025 (5181)	8467 (6245)					7,2 (104)	12000 (8851)	34,4 (2099)				
	run	3590 (2648)				395 (291)	1159 (855)	1731 (1277)	2277 (1679)											
	end	8472 (6249)				395 (291)	1170 (863)	1944 (1434)	2719 (2005)											
LPS-20C-485X-FC4-2	start	5903 (4354)			5494 (4052)	7286 (5374)	9078 (6696)							5,8 (84)	12000 (8851)	42,8 (2612)				
	run	3586 (2645)			1120 (826)	1830 (1350)	2506 (1848)													
	end	8461 (6241)			1121 (827)	2084 (1537)	3048 (2248)													

Actuator Model	METRIC/IMPERIAL TORQUE TABLE																
	Spring Torque	barg (PSIG)	barg (PSIG)	barg (PSIG)	barg (PSIG)	barg (PSIG)	barg (PSIG)	barg (PSIG)	barg (PSIG)	barg (PSIG)	barg (PSIG)	barg (PSIG)	barg (PSIG)	barg (PSIG)	Max Operating Pressure	Max Operating Torque	Swept Volume*
		2.5 (36)	3 (44)	3.5 (51)	4 (58)	4.5 (65)	5 (73)	5.5 (80)	6 (87)	7 (102)	9 (131)	10 (145)	12 (174)				
		Output Torque Nm (ft-lb) @ supply pressure barg (PSIG)															
Nm (ft-lb)	Nm (ft-lb)	Nm (ft-lb)	Nm (ft-lb)	Nm (ft-lb)	Nm (ft-lb)	Nm (ft-lb)	Nm (ft-lb)	Nm (ft-lb)	Nm (ft-lb)	Nm (ft-lb)	Nm (ft-lb)	Nm (ft-lb)	Nm (ft-lb)	barg (PSIG)	Nm (ft-lb)	L (cu in)	
LPS-25A-435X-FC2-3	start	7699 (5678)			4533 (3343)	5707 (4209)	6881 (5075)	8055 (5941)	9229 (6807)	11576 (8538)	16272 (12002)	18620 (13733)		11 (160)	21000 (15489)	41,6 (2539)	
	run	3349 (2470)			857 (632)	2044 (1508)	2755 (2032)	3440 (2537)	4114 (3034)	5449 (4019)	8098 (5973)	9417 (6946)					
	end	4590 (3385)			857 (632)	2101 (1550)	3346 (2468)	4591 (3386)	5836 (4304)	8325 (6140)	13304 (9813)	15793 (11648)					
LPS-25A-485X-FC2-3	start	7690 (5672)		5348 (3944)	6807 (5021)	8267 (6097)	9726 (7174)	11185 (8250)	12645 (9326)	15563 (11479)				8,8 (128)	21000 (15489)	51,7 (3155)	
	run	3344 (2466)		1721 (1269)	2712 (2000)	3562 (2627)	4398 (3244)	5228 (3856)	6053 (4464)	7699 (5678)							
	end	4581 (3379)		1721 (1269)	3268 (2410)	4816 (3552)	6363 (4693)	7910 (5834)	9457 (6975)	12552 (9258)							
LPS-25A-535X-FC2-3	start	7681 (5665)	5778 (4262)	7553 (5571)	9329 (6881)	11105 (8191)	12880 (9500)	14656 (10810)	16432 (12120)					7,2 (104)	21000 (15489)	63 (3844)	
	run	3339 (2463)	2088 (1540)	3149 (2323)	4172 (3077)	5182 (3822)	6186 (4563)	7188 (5302)	8188 (6039)								
	end	4570 (3371)	2176 (1605)	4059 (2994)	5942 (4383)	7825 (5771)	9707 (7160)	11590 (8548)	13473 (9937)								
LPS-25A-585X-FC2-3	start	7730 (5701)	5788 (4269)	7911 (5835)	10034 (7401)	12158 (8967)	14281 (10533)	16404 (12099)	18527 (13665)					6 (87)	21000 (15489)	75,3 (4595)	
	run	3367 (2483)	2095 (1545)	3357 (2476)	4574 (3374)	5778 (4262)	6976 (5145)	8172 (6027)	9365 (6907)								
	end	4622 (3409)	2188 (1614)	4439 (3274)	6690 (4934)	8941 (6595)	11192 (8255)	13443 (9915)	15694 (11575)								
LPS-25A-435X-FC3-4	start	8152 (6013)				4970 (3666)	6144 (4532)	7318 (5397)	8492 (6263)	10840 (7995)	15535 (11458)	17883 (13190)		11,3 (164)	21000 (15489)	41,6 (2539)	
	run	3676 (2711)				1570 (1158)	2402 (1772)	3091 (2280)	3766 (2778)	5102 (3763)	7750 (5716)	9069 (6689)					
	end	5297 (3907)				1570 (1158)	2815 (2076)	4059 (2994)	5304 (3912)	7794 (5749)	12772 (9420)	15262 (11257)					
LPS-25A-485X-FC3-4	start	8144 (6007)		4611 (3401)	6070 (4477)	7530 (5554)	8989 (6630)	10448 (7706)	11908 (8783)	14826 (10935)				9,1 (132)	21000 (15489)	51,7 (3155)	
	run	3671 (2708)		1190 (878)	2358 (1739)	3213 (2370)	4051 (2988)	4880 (3599)	5706 (4209)	7351 (5422)							
	end	5288 (3900)		1190 (878)	2737 (2019)	4284 (3160)	5832 (4301)	7379 (5442)	8926 (6583)	12020 (8865)							
LPS-25A-535X-FC3-4	start	8134 (5999)	5041 (3718)	6816 (5027)	8592 (6337)	10368 (7647)	12144 (8957)	13919 (10266)	15695 (11576)					7,4 (107)	21000 (15489)	63 (3844)	
	run	3666 (2704)	1645 (1213)	2799 (2064)	3824 (2820)	4834 (3565)	5839 (4307)	6840 (5045)	7840 (5782)								
	end	5277 (3892)	1645 (1213)	3528 (2602)	5411 (3991)	7293 (5379)	9176 (6768)	11059 (8157)	12942 (9546)								
LPS-25A-585X-FC3-4	start	8183 (6035)	5051 (3725)	7174 (5291)	9297 (6857)	11420 (8423)	13544 (9990)	15667 (11555)	17790 (13121)					6,2 (90)	21000 (15489)	75,3 (4595)	
	run	3694 (2725)	1656 (1221)	3008 (2219)	4226 (3117)	5431 (4006)	6629 (4889)	7824 (5771)	9017 (6651)								
	end	5329 (3930)	1656 (1221)	3907 (2882)	6158 (4542)	8409 (6202)	10660 (7862)	12912 (9523)	15163 (11184)								

Actuator Model	METRIC/IMPERIAL TORQUE TABLE																
	Spring Torque	barg (PSIG)	barg (PSIG)	barg (PSIG)	barg (PSIG)	barg (PSIG)	barg (PSIG)	barg (PSIG)	barg (PSIG)	barg (PSIG)	barg (PSIG)	barg (PSIG)	barg (PSIG)	barg (PSIG)	Max Operating Pressure	Max Operating Torque	Swept Volume*
		2.5 (36)	3 (44)	3.5 (51)	4 (58)	4.5 (65)	5 (73)	5.5 (80)	6 (87)	7 (102)	9 (131)	10 (145)	12 (174)				
		Output Torque Nm (ft-lb) @ supply pressure barg (PSIG)															
Nm (ft-lb)	Nm (ft-lb)	Nm (ft-lb)	Nm (ft-lb)	Nm (ft-lb)	Nm (ft-lb)	Nm (ft-lb)	Nm (ft-lb)	Nm (ft-lb)	Nm (ft-lb)	Nm (ft-lb)	Nm (ft-lb)	Nm (ft-lb)	Nm (ft-lb)	barg (PSIG)	Nm (ft-lb)	L (cu in)	
LPS-25A-435X-FC4-2	start	9276 (6842)						5377 (3966)	6551 (4832)	7725 (5698)	10073 (7429)	14769 (10893)	17117 (12625)	11,6 (168)	21000 (15489)	41,6 (2539)	
	run	4184 (3086)						1498 (1105)	2471 (1823)	3169 (2337)	4522 (3335)	7182 (5297)	8505 (6273)				
	end	6032 (4449)						1498 (1105)	2743 (2023)	3988 (2941)	6477 (4777)	11456 (8449)	13945 (10285)				
LPS-25A-485X-FC4-2	start	9267 (6835)			5304 (3912)	6763 (4988)	8222 (6064)	9682 (7141)	11141 (8217)	14060 (10370)				9,3 (135)	21000 (15489)	51,7 (3155)	
	run	4179 (3082)			1420 (1047)	2599 (1917)	3458 (2550)	4299 (3171)	5130 (3784)	6782 (5002)							
	end	6023 (4442)			1420 (1047)	2968 (2189)	4515 (3330)	6062 (4471)	7610 (5613)	10704 (7895)							
LPS-25A-535X-FC4-2	start	9258 (6828)		6050 (4462)	7826 (5772)	9601 (7081)	11377 (8391)	13153 (9701)	14928 (11010)	18480 (13630)				7,7 (112)	21000 (15489)	63 (3844)	
	run	4174 (3079)		2160 (1593)	3227 (2380)	4253 (3137)	5265 (3883)	6270 (4625)	7272 (5364)	9271 (6838)							
	end	6013 (4435)		2211 (1631)	4094 (3020)	5977 (4408)	7860 (5797)	9742 (7185)	11625 (8574)	15390 (11351)							
LPS-25A-585X-FC4-2	start	9307 (6864)	6408 (4726)	8531 (6292)	10654 (7858)	12777 (9424)	14900 (10990)	17023 (12556)						6,4 (93)	21000 (15489)	75,3 (4595)	
	run	4202 (3099)	2383 (1758)	3637 (2683)	4853 (3579)	6058 (4468)	7257 (5352)	8452 (6234)									
	end	6065 (4473)	2591 (1911)	4842 (3571)	7093 (5232)	9344 (6892)	11595 (8552)	13846 (10212)									
LPS-25A-435X-FC4-3	start	10401 (7671)						5718 (4217)	6892 (5083)	9240 (6815)	13936 (10279)	16283 (12010)		12 (174)	21000 (15489)	41,6 (2539)	
	run	4711 (3475)						1425 (1051)	2519 (1858)	3913 (2886)	6592 (4862)	7918 (5840)					
	end	6831 (5038)						1425 (1051)	2670 (1969)	5159 (3805)	10138 (7477)	12627 (9313)					
LPS-25A-485X-FC4-3	start	10392 (7665)				5930 (4374)	7389 (5450)	8849 (6527)	10308 (7603)	13226 (9755)				9,6 (139)	21000 (15489)	51,7 (3155)	
	run	4706 (3471)				1650 (1217)	2824 (2083)	3686 (2719)	4528 (3340)	6190 (4566)							
	end	6822 (5032)				1650 (1217)	3197 (2358)	4744 (3499)	6291 (4640)	9386 (6923)							
LPS-25A-535X-FC4-3	start	10382 (7657)		5217 (3848)	6992 (5157)	8768 (6467)	10544 (7777)	12320 (9087)	14095 (10396)	17647 (13016)				7,9 (115)	21000 (15489)	63 (3844)	
	run	4701 (3467)		893 (659)	2582 (1904)	3639 (2684)	4664 (3440)	5676 (4186)	6683 (4929)	8686 (6406)							
	end	6812 (5024)		893 (659)	2776 (2047)	4659 (3436)	6541 (4824)	8424 (6213)	10307 (7602)	14072 (10379)							
LPS-25A-585X-FC4-3	start	10431 (7693)	5574 (4111)	7698 (5678)	9821 (7244)	11944 (8809)	14067 (10375)	16190 (11941)	18313 (13507)					6,6 (96)	21000 (15489)	75,3 (4595)	
	run	4729 (3488)	1273 (939)	3009 (2219)	4248 (3133)	5462 (4029)	6667 (4917)	7866 (5802)	9062 (6684)								
	end	6864 (5063)	1273 (939)	3524 (2599)	5775 (4259)	8026 (5920)	10277 (7580)	12528 (9240)	14779 (10900)								

Actuator Model	METRIC/IMPERIAL TORQUE TABLE																		
	Spring Torque	barg (PSIG)	barg (PSIG)	barg (PSIG)	barg (PSIG)	barg (PSIG)	barg (PSIG)	barg (PSIG)	barg (PSIG)	barg (PSIG)	barg (PSIG)	barg (PSIG)	barg (PSIG)	barg (PSIG)	Max Operating Pressure	Max Operating Torque	Swept Volume*		
		2.5 (36)	3 (44)	3.5 (51)	4 (58)	4.5 (65)	5 (73)	5.5 (80)	6 (87)	7 (102)	9 (131)	10 (145)	12 (174)						
		Output Torque Nm (ft-lb) @ supply pressure barg (PSIG)																	
Nm (ft-lb)	Nm (ft-lb)	Nm (ft-lb)	Nm (ft-lb)	Nm (ft-lb)	Nm (ft-lb)	Nm (ft-lb)	Nm (ft-lb)	Nm (ft-lb)	Nm (ft-lb)	Nm (ft-lb)	Nm (ft-lb)	Nm (ft-lb)	Nm (ft-lb)	barg (PSIG)	Nm (ft-lb)	L (cu in)			
LPS-25A-435X-FC5-1	start	11565 (8530)								5366 (3958)	7713 (5689)	12409 (9152)	14757 (10884)		12 (174)	21000 (15489)	41,6 (2539)		
	run	5438 (4011)								1305 (963)	3103 (2289)	5799 (4277)	7126 (5256)						
	end	8295 (6118)								1305 (963)	3794 (2798)	8773 (6471)	11262 (8306)						
LPS-25A-485X-FC5-1	start	11556 (8523)						5863 (4324)	7322 (5400)	8782 (6477)	11700 (8629)	17537 (12935)		10,1 (146)	21000 (15489)	51,7 (3155)			
	run	5433 (4007)						1832 (1351)	2871 (2118)	3726 (2748)	5396 (3980)	8693 (6412)							
	end	8286 (6111)						1832 (1351)	3379 (2492)	4927 (3634)	8021 (5916)	14210 (10481)							
LPS-25A-535X-FC5-1	start	11547 (8517)			5466 (4032)	7242 (5341)	9017 (6651)	10793 (7960)	12569 (9270)	16120 (11889)				8,3 (120)	21000 (15489)	63 (3844)			
	run	5428 (4003)			1411 (1041)	2823 (2082)	3862 (2848)	4880 (3599)	5889 (4343)	7895 (5823)									
	end	8276 (6104)			1411 (1041)	3294 (2430)	5177 (3818)	7059 (5206)	8942 (6595)	12708 (9373)									
LPS-25A-585X-FC5-1	start	11596 (8553)			6171 (4551)	8294 (6117)	10417 (7683)	12540 (9249)	14664 (10816)	16787 (12381)				6,9 (100)	21000 (15489)	75,3 (4595)			
	run	5455 (4023)			2159 (1592)	3443 (2539)	4666 (3441)	5873 (4332)	7074 (5218)	8270 (6100)									
	end	8328 (6142)			2159 (1592)	4410 (3253)	6661 (4913)	8912 (6573)	11163 (8233)	13414 (9894)									
LPS-25A-435X-FC5-2	start	12101 (8925)								5046 (3722)	7394 (5454)	12090 (8917)	14438 (10649)	12 (174)	21000 (15489)	41,6 (2539)			
	run	5668 (4180)								677 (499)	2814 (2075)	5535 (4082)	6866 (5064)						
	end	8601 (6344)								677 (499)	3166 (2335)	8145 (6007)	10634 (7843)						
LPS-25A-485X-FC5-2	start	12092 (8919)						5544 (4089)	7003 (5165)	8462 (6241)	11381 (8394)	17218 (12699)		10,2 (148)	21000 (15489)	51,7 (3155)			
	run	5663 (4177)						1204 (888)	2575 (1899)	3449 (2544)	5131 (3784)	8435 (6221)							
	end	8592 (6337)						1204 (888)	2751 (2029)	4298 (3170)	7393 (5453)	13582 (10018)							
LPS-25A-535X-FC5-2	start	12083 (8912)			5147 (3796)	6923 (5106)	8698 (6415)	10474 (7725)	12250 (9035)	15801 (11654)				8,4 (122)	21000 (15489)	63 (3844)			
	run	5658 (4173)			783 (578)	2525 (1862)	3587 (2646)	4613 (3402)	5626 (4150)	7636 (5632)									
	end	8582 (6330)			783 (578)	2666 (1966)	4549 (3355)	6431 (4743)	8314 (6132)	12080 (8910)									
LPS-25A-585X-FC5-2	start	12132 (8948)			5852 (4316)	7975 (5882)	10098 (7448)	12222 (9014)	14345 (10580)	16468 (12146)				7 (102)	21000 (15489)	75,3 (4595)			
	run	5685 (4193)			1531 (1129)	3162 (2332)	4397 (3243)	5610 (4138)	6814 (5026)	8012 (5909)									
	end	8634 (6368)			1531 (1129)	3782 (2789)	6033 (4450)	8284 (6110)	10535 (7770)	12786 (9430)									

Actuator Model	METRIC/IMPERIAL TORQUE TABLE																
	Spring Torque	barg (PSIG)	barg (PSIG)	barg (PSIG)	barg (PSIG)	barg (PSIG)	barg (PSIG)	barg (PSIG)	barg (PSIG)	barg (PSIG)	barg (PSIG)	barg (PSIG)	barg (PSIG)	barg (PSIG)	Max Operating Pressure	Max Operating Torque	Swept Volume*
		2.5 (36)	3 (44)	3.5 (51)	4 (58)	4.5 (65)	5 (73)	5.5 (80)	6 (87)	7 (102)	9 (131)	10 (145)	12 (174)				
		Output Torque Nm (ft-lb) @ supply pressure barg (PSIG)															
Nm (ft-lb)	Nm (ft-lb)	Nm (ft-lb)	Nm (ft-lb)	Nm (ft-lb)	Nm (ft-lb)	Nm (ft-lb)	Nm (ft-lb)	Nm (ft-lb)	Nm (ft-lb)	Nm (ft-lb)	Nm (ft-lb)	Nm (ft-lb)	Nm (ft-lb)	barg (PSIG)	Nm (ft-lb)	L (cu in)	
LPS-25C-435X-FC2-3	start	6277 (4630)			7132 (5260)	8913 (6574)	10694 (7887)	12474 (9200)	14255 (10514)	17816 (13140)				7,8 (113)	21000 (15489)	42,1 (2569)	
	run	3496 (2579)			660 (487)	1617 (1193)	2424 (1788)	3114 (2297)	3789 (2795)	5120 (3776)							
	end	6786 (5005)			660 (487)	1617 (1193)	2574 (1898)	3531 (2604)	4488 (3310)	6403 (4723)							
LPS-25C-485X-FC2-3	start	6270 (4625)		8369 (6173)	10582 (7805)	12796 (9438)	15009 (11070)	17223 (12703)						6,3 (91)	21000 (15489)	52,3 (3192)	
	run	3491 (2575)		1324 (977)	2380 (1755)	3237 (2387)	4072 (3003)	4900 (3614)									
	end	6772 (4995)		1324 (977)	2514 (1854)	3704 (2732)	4894 (3610)	6084 (4487)									
LPS-25C-535X-FC2-3	start	6262 (4619)	9020 (6653)	11714 (8640)	14407 (10626)	17100 (12612)								5,2 (75)	21000 (15489)	63,7 (3887)	
	run	3485 (2570)	1675 (1235)	2822 (2081)	3846 (2837)	4854 (3580)											
	end	6757 (4984)	1675 (1235)	3122 (2303)	4570 (3371)	6018 (4439)											
LPS-25C-585X-FC2-3	start	6302 (4648)	9036 (6665)	12257 (9040)	15477 (11415)	18697 (13790)								4,3 (62)	21000 (15489)	76,1 (4644)	
	run	3513 (2591)	1683 (1241)	3031 (2236)	4248 (3133)	5448 (4018)											
	end	6836 (5042)	1683 (1241)	3414 (2518)	5145 (3795)	6877 (5072)											
LPS-25C-435X-FC3-4	start	6647 (4903)				7778 (5737)	9558 (7050)	11339 (8363)	13120 (9677)	16681 (12303)				8,2 (119)	21000 (15489)	42,1 (2569)	
	run	3803 (2805)				1208 (891)	2087 (1539)	2785 (2054)	3461 (2553)	4794 (3536)							
	end	7886 (5816)				1208 (891)	2165 (1597)	3122 (2303)	4079 (3009)	5994 (4421)							
LPS-25C-485X-FC3-4	start	6640 (4897)		7234 (5336)	9447 (6968)	11660 (8600)	13874 (10233)	16087 (11865)	18301 (13498)					6,6 (96)	21000 (15489)	52,3 (3192)	
	run	3799 (2802)		915 (675)	2042 (1506)	2908 (2145)	3745 (2762)	4573 (3373)	5395 (3979)								
	end	7873 (5807)		915 (675)	2105 (1553)	3295 (2430)	4485 (3308)	5675 (4186)	6864 (5063)								
LPS-25C-535X-FC3-4	start	6632 (4892)		7885 (5816)	10579 (7803)	13272 (9789)	15965 (11775)	18659 (13762)						5,4 (78)	21000 (15489)	63,7 (3887)	
	run	3793 (2798)		1265 (933)	2491 (1837)	3519 (2595)	4527 (3339)	5528 (4077)									
	end	7857 (5795)		1265 (933)	2713 (2001)	4161 (3069)	5609 (4137)	7057 (5205)									
LPS-25C-585X-FC3-4	start	6672 (4921)	7901 (5827)	11121 (8202)	14342 (10578)	17562 (12953)								4,5 (65)	21000 (15489)	76,1 (4644)	
	run	3821 (2818)	1274 (940)	2701 (1992)	3921 (2892)	5121 (3777)											
	end	7937 (5854)	1274 (940)	3005 (2216)	4736 (3493)	6467 (4770)											

Actuator Model	METRIC/IMPERIAL TORQUE TABLE																			
	Spring Torque	barg (PSIG)	barg (PSIG)	barg (PSIG)	barg (PSIG)	barg (PSIG)	barg (PSIG)	barg (PSIG)	barg (PSIG)	barg (PSIG)	barg (PSIG)	barg (PSIG)	barg (PSIG)	barg (PSIG)	Max Operating Pressure	Max Operating Torque	Swept Volume*			
		2.5 (36)	3 (44)	3.5 (51)	4 (58)	4.5 (65)	5 (73)	5.5 (80)	6 (87)	7 (102)	9 (131)	10 (145)	12 (174)							
		Output Torque Nm (ft-lb) @ supply pressure barg (PSIG)																		
Nm (ft-lb)	Nm (ft-lb)	Nm (ft-lb)	Nm (ft-lb)	Nm (ft-lb)	Nm (ft-lb)	Nm (ft-lb)	Nm (ft-lb)	Nm (ft-lb)	Nm (ft-lb)	Nm (ft-lb)	Nm (ft-lb)	Nm (ft-lb)	Nm (ft-lb)	barg (PSIG)	Nm (ft-lb)	L (cu in)				
LPS-25C-435X-FC4-2	start	7563 (5578)						8428 (6216)	10209 (7530)	11989 (8843)	15550 (11469)				8,5 (123)	21000 (15489)	42,1 (2569)			
	run	4329 (3193)						1152 (850)	2100 (1549)	2818 (2078)	4175 (3079)									
	end	8982 (6625)						1152 (850)	2109 (1556)	3067 (2262)	4981 (3674)									
LPS-25C-485X-FC4-2	start	7556 (5573)			8317 (6134)	10530 (7767)	12744 (9399)	14957 (11032)	17170 (12664)						6,8 (99)	21000 (15489)	52,3 (3192)			
	run	4324 (3189)			1092 (805)	2236 (1649)	3110 (2294)	3952 (2915)	4782 (3527)											
	end	8968 (6614)			1092 (805)	2282 (1683)	3472 (2561)	4662 (3439)	5852 (4316)											
LPS-25C-535X-FC4-2	start	7548 (5567)		9448 (6968)	12142 (8955)	14835 (10942)	17528 (12928)								5,6 (81)	21000 (15489)	63,7 (3887)			
	run	4319 (3186)		1701 (1255)	2878 (2123)	3906 (2881)	4916 (3626)													
	end	8953 (6603)		1701 (1255)	3148 (2322)	4596 (3390)	6044 (4458)													
LPS-25C-585X-FC4-2	start	7588 (5597)	9991 (7369)	13211 (9744)	16432 (12120)										4,7 (68)	21000 (15489)	76,1 (4644)			
	run	4346 (3205)	1992 (1469)	3290 (2427)	4506 (3323)															
	end	9033 (6662)	1992 (1469)	3724 (2747)	5455 (4023)															
LPS-25C-435X-FC4-3	start	8480 (6255)						8975 (6620)	10755 (7932)	14316 (10559)					8,8 (128)	21000 (15489)	42,1 (2569)			
	run	4869 (3591)						1097 (809)	2054 (1515)	3530 (2604)										
	end	10179 (7508)						1097 (809)	2054 (1515)	3968 (2927)										
LPS-25C-485X-FC4-3	start	8473 (6249)				9296 (6856)	11510 (8489)	13723 (10122)	15936 (11754)						7,1 (103)	21000 (15489)	52,3 (3192)			
	run	4864 (3587)				1269 (936)	2421 (1786)	3301 (2435)	4146 (3058)											
	end	10165 (7497)				1269 (936)	2459 (1814)	3649 (2691)	4839 (3569)											
LPS-25C-535X-FC4-3	start	8465 (6243)		8214 (6058)	10908 (8045)	13601 (10032)	16294 (12018)								5,8 (84)	21000 (15489)	63,7 (3887)			
	run	4859 (3584)		688 (507)	2136 (1575)	3254 (2400)	4281 (3157)													
	end	10149 (7486)		688 (507)	2136 (1575)	3584 (2643)	5031 (3711)													
LPS-25C-585X-FC4-3	start	8505 (6273)	8757 (6459)	11977 (8834)	15198 (11209)	18418 (13584)									4,9 (71)	21000 (15489)	76,1 (4644)			
	run	4886 (3604)	980 (723)	2614 (1928)	3866 (2851)	5079 (3746)														
	end	10229 (7545)	980 (723)	2711 (2000)	4442 (3276)	6173 (4553)														

Actuator Model	METRIC/IMPERIAL TORQUE TABLE																
	Spring Torque	barg (PSIG)	barg (PSIG)	barg (PSIG)	barg (PSIG)	barg (PSIG)	barg (PSIG)	barg (PSIG)	barg (PSIG)	barg (PSIG)	barg (PSIG)	barg (PSIG)	barg (PSIG)	barg (PSIG)	Max Operating Pressure	Max Operating Torque	Swept Volume*
		2.5 (36)	3 (44)	3.5 (51)	4 (58)	4.5 (65)	5 (73)	5.5 (80)	6 (87)	7 (102)	9 (131)	10 (145)	12 (174)				
		Output Torque Nm (ft-lb) @ supply pressure barg (PSIG)															
Nm (ft-lb)	Nm (ft-lb)	Nm (ft-lb)	Nm (ft-lb)	Nm (ft-lb)	Nm (ft-lb)	Nm (ft-lb)	Nm (ft-lb)	Nm (ft-lb)	Nm (ft-lb)	Nm (ft-lb)	Nm (ft-lb)	Nm (ft-lb)	barg (PSIG)	Nm (ft-lb)	L (cu in)		
LPS-25C-435X-FC5-1	start	9430 (6955)								8423 (6212)	11984 (8839)			9,5 (138)	21000 (15489)	42,1 (2569)	
	run	5577 (4113)								1004 (741)	2735 (2017)						
	end	12440 (9175)								1004 (741)	2918 (2152)						
LPS-25C-485X-FC5-1	start	9423 (6950)						9177 (6769)	11390 (8401)	13604 (10034)	18031 (13299)			7,6 (110)	21000 (15489)	52,3 (3192)	
	run	5572 (4110)						1409 (1039)	2499 (1843)	3364 (2481)	5033 (3712)						
	end	12426 (9165)						1409 (1039)	2599 (1917)	3789 (2795)	6169 (4550)						
LPS-25C-535X-FC5-1	start	9415 (6944)			8575 (6325)	11268 (8311)	13962 (10298)	16655 (12284)						6,3 (91)	21000 (15489)	63,7 (3887)	
	run	5567 (4106)			1086 (801)	2449 (1806)	3500 (2581)	4518 (3332)									
	end	12411 (9154)			1086 (801)	2534 (1869)	3981 (2936)	5429 (4004)									
LPS-25C-585X-FC5-1	start	9455 (6974)		9645 (7114)	12865 (9489)	16085 (11864)								5,2 (75)	21000 (15489)	76,1 (4644)	
	run	5594 (4126)		1661 (1225)	3079 (2271)	4304 (3174)											
	end	12490 (9212)		1661 (1225)	3392 (2502)	5123 (3779)											
LPS-25C-435X-FC5-2	start	9866 (7277)								7959 (5870)	11520 (8497)	18642 (13750)		9,6 (139)	21000 (15489)	42,1 (2569)	
	run	5817 (4290)								521 (384)	2407 (1775)	5149 (3798)					
	end	12890 (9507)								521 (384)	2436 (1797)	6264 (4620)					
LPS-25C-485X-FC5-2	start	9859 (7272)						8713 (6426)	10926 (8059)	13140 (9692)	17567 (12957)			7,7 (112)	21000 (15489)	52,3 (3192)	
	run	5812 (4287)						927 (684)	2117 (1561)	3059 (2256)	4746 (3500)						
	end	12876 (9497)						927 (684)	2117 (1561)	3307 (2439)	5686 (4194)						
LPS-25C-535X-FC5-2	start	9851 (7266)			8111 (5982)	10804 (7969)	13498 (9956)	16191 (11942)	18884 (13928)					6,3 (91)	21000 (15489)	63,7 (3887)	
	run	5807 (4283)			603 (445)	2051 (1513)	3198 (2359)	4228 (3118)	5239 (3864)								
	end	12861 (9486)			603 (445)	2051 (1513)	3499 (2581)	4947 (3649)	6395 (4717)								
LPS-25C-585X-FC5-2	start	9891 (7295)		9181 (6772)	12401 (9146)	15621 (11521)	18842 (13897)							5,3 (77)	21000 (15489)	76,1 (4644)	
	run	5834 (4303)		1178 (869)	2767 (2041)	4012 (2959)	5223 (3852)										
	end	12940 (9544)		1178 (869)	2909 (2146)	4641 (3423)	6372 (4700)										

Actuator Model	METRIC/IMPERIAL TORQUE TABLE																
	Spring Torque	barg (PSIG)	barg (PSIG)	barg (PSIG)	barg (PSIG)	barg (PSIG)	barg (PSIG)	barg (PSIG)	barg (PSIG)	barg (PSIG)	barg (PSIG)	barg (PSIG)	barg (PSIG)	barg (PSIG)	Max Operating Pressure	Max Operating Torque	Swept Volume*
		2.5 (36)	3 (44)	3.5 (51)	4 (58)	4.5 (65)	5 (73)	5.5 (80)	6 (87)	7 (102)	9 (131)	10 (145)	12 (174)				
		Output Torque Nm (ft-lb) @ supply pressure barg (PSIG)															
Nm (ft-lb)	Nm (ft-lb)	Nm (ft-lb)	Nm (ft-lb)	Nm (ft-lb)	Nm (ft-lb)	Nm (ft-lb)	Nm (ft-lb)	Nm (ft-lb)	Nm (ft-lb)	Nm (ft-lb)	Nm (ft-lb)	Nm (ft-lb)	Nm (ft-lb)	barg (PSIG)	Nm (ft-lb)	L (cu in)	
LPS-30A-535X-FC2-3	start	13499 (9956)			8407 (6201)	10716 (7904)	13025 (9607)	15333 (11309)	17642 (13012)	19951 (14715)	24568 (18120)	33803 (24932)			10,4 (151)	40500 (29871)	80,5 (4912)
	run	5642 (4161)			1161 (856)	3609 (2662)	5123 (3779)	6476 (4776)	7805 (5757)	9122 (6728)	11739 (8658)	16941 (12495)					
	end	7298 (5383)			1161 (856)	3609 (2662)	6057 (4467)	8505 (6273)	10953 (8079)	13400 (9883)	18296 (13494)	28088 (20717)					
LPS-30A-585X-FC2-3	start	13563 (10004)			8873 (6544)	11633 (8580)	14393 (10616)	17154 (12652)	19914 (14688)	22675 (16724)	25435 (18760)	30956 (22832)			8,7 (126)	40500 (29871)	96,2 (5870)
	run	5679 (4189)			1655 (1221)	4281 (3157)	5929 (4373)	7525 (5550)	9102 (6713)	10668 (7868)	12229 (9020)	15341 (11315)					
	end	7366 (5433)			1655 (1221)	4581 (3379)	7508 (5538)	10435 (7696)	13362 (9855)	16288 (12013)	19215 (14172)	25069 (18490)					
LPS-30A-635X-FC2-3	start	13562 (10003)	8571 (6322)	11824 (8721)	15076 (11119)	18329 (13519)	21581 (15917)	24834 (18317)	28086 (20715)	31338 (23114)					7,4 (107)	40500 (29871)	113,4 (6920)
	run	5678 (4188)	1335 (985)	4399 (3245)	6327 (4667)	8198 (6047)	10048 (7411)	11889 (8769)	13724 (10122)	15556 (11473)							
	end	7365 (5432)	1335 (985)	4784 (3528)	8232 (6072)	11680 (8615)	15129 (11159)	18577 (13702)	22026 (16246)	25474 (18789)							
LPS-30A-685X-FC2-3	start	13561 (10002)	11232 (8284)	15017 (11076)	18802 (13868)	22586 (16659)	26371 (19450)	30156 (22242)	33941 (25034)						6,3 (91)	40500 (29871)	131,9 (8049)
	run	5678 (4188)	4030 (2972)	6292 (4641)	8468 (6246)	10618 (7831)	12758 (9410)	14890 (10982)	17019 (12553)								
	end	7363 (5431)	4156 (3065)	8169 (6025)	12182 (8985)	16195 (11945)	20208 (14905)	24221 (17864)	28234 (20824)								
LPS-30A-535X-FC4-2	start	15009 (11070)				8647 (6378)	10955 (8080)	13264 (9783)	15573 (11486)	17882 (13189)	22499 (16594)	31734 (23406)	36351 (26811)		10,8 (157)	40500 (29871)	80,5 (4912)
	run	6630 (4890)				1839 (1356)	4021 (2966)	5405 (3987)	6744 (4974)	8066 (5949)	10687 (7882)	15891 (11721)	18486 (13635)				
	end	9283 (6847)				1839 (1356)	4287 (3162)	6735 (4967)	9183 (6773)	11631 (8579)	16526 (12189)	26318 (19411)	31213 (23021)				
LPS-30A-585X-FC4-2	start	15073 (11117)			9564 (7054)	12324 (9090)	15084 (11125)	17845 (13162)	20605 (15197)	23366 (17234)	28886 (21305)				9,1 (132)	40500 (29871)	96,2 (5870)
	run	6667 (4917)			2811 (2073)	4850 (3577)	6463 (4767)	8046 (5934)	9615 (7092)	11177 (8244)	14290 (10540)						
	end	9351 (6897)			2811 (2073)	5738 (4232)	8665 (6391)	11592 (8550)	14518 (10708)	17445 (12867)	23299 (17184)						
LPS-30A-635X-FC4-2	start	15072 (11117)			9754 (7194)	13007 (9593)	16259 (11992)	19512 (14391)	22764 (16790)	26016 (19188)	29269 (21588)	35774 (26386)			7,7 (112)	40500 (29871)	113,4 (6920)
	run	6666 (4917)			3014 (2223)	5254 (3875)	7139 (5265)	8994 (6634)	10837 (7993)	12673 (9347)	14505 (10698)	18161 (13395)					
	end	9350 (6896)			3014 (2223)	6462 (4766)	9911 (7310)	13359 (9853)	16808 (12397)	20256 (14940)	23704 (17483)	30601 (22570)					
LPS-30A-685X-FC4-2	start	15071 (11116)	9163 (6758)	12948 (9550)	16732 (12341)	20517 (15133)	24302 (17924)	28087 (20716)	31871 (23507)	35656 (26298)					6,6 (96)	40500 (29871)	131,9 (8049)
	run	6665 (4916)	2386 (1760)	5219 (3849)	7410 (5465)	9565 (7055)	11706 (8634)	13839 (10207)	15968 (11777)	18095 (13346)							
	end	9349 (6895)	2386 (1760)	6399 (4720)	10412 (7679)	14425 (10639)	18438 (13599)	22451 (16559)	26464 (19519)	30477 (22479)							

Actuator Model	METRIC/IMPERIAL TORQUE TABLE																
	Spring Torque	barg (PSIG)	barg (PSIG)	barg (PSIG)	barg (PSIG)	barg (PSIG)	barg (PSIG)	barg (PSIG)	barg (PSIG)	barg (PSIG)	barg (PSIG)	barg (PSIG)	barg (PSIG)	barg (PSIG)	Max Operating Pressure	Max Operating Torque	Swept Volume*
		2.5 (36)	3 (44)	3.5 (51)	4 (58)	4.5 (65)	5 (73)	5.5 (80)	6 (87)	7 (102)	9 (131)	10 (145)	12 (174)				
		Output Torque Nm (ft-lb) @ supply pressure barg (PSIG)															
Nm (ft-lb)	Nm (ft-lb)	Nm (ft-lb)	Nm (ft-lb)	Nm (ft-lb)	Nm (ft-lb)	Nm (ft-lb)	Nm (ft-lb)	Nm (ft-lb)	Nm (ft-lb)	Nm (ft-lb)	Nm (ft-lb)	Nm (ft-lb)	Nm (ft-lb)	barg (PSIG)	Nm (ft-lb)	L (cu in)	
LPS-30A-535X-FC4-4	start	16475 (12151)					10020 (7390)	12329 (9093)	14638 (10796)	16947 (12499)	21564 (15905)	30799 (22716)	35416 (26121)	11,1 (161)	40500 (29871)	80,5 (4912)	
	run	7275 (5366)					2569 (1895)	4597 (3391)	5975 (4407)	7315 (5395)	9953 (7341)	15170 (11189)	17768 (13105)				
	end	10180 (7508)					2569 (1895)	5017 (3700)	7465 (5506)	9913 (7311)	14808 (10922)	24600 (18144)	29495 (21754)				
LPS-30A-585X-FC4-4	start	16539 (12199)			8629 (6364)	11389 (8400)	14150 (10436)	16910 (12472)	19670 (14508)	22431 (16544)	27952 (20616)			9,2 (133)	40500 (29871)	96,2 (5870)	
	run	7311 (5392)			1093 (806)	4008 (2956)	5688 (4195)	7294 (5380)	8875 (6546)	10445 (7704)	13567 (10006)						
	end	10248 (7559)			1093 (806)	4020 (2965)	6947 (5124)	9874 (7283)	12800 (9441)	15727 (11600)	21581 (15917)						
LPS-30A-635X-FC4-4	start	16538 (12198)		8820 (6505)	12072 (8904)	15324 (11302)	18577 (13702)	21829 (16100)	25082 (18500)	28334 (20898)	34839 (25696)			7,8 (113)	40500 (29871)	113,4 (6920)	
	run	7311 (5392)		1296 (956)	4439 (3274)	6376 (4703)	8251 (6086)	10104 (7452)	11946 (8811)	13782 (10165)	17443 (12865)						
	end	10247 (7558)		1296 (956)	4744 (3499)	8193 (6043)	11641 (8586)	15090 (11130)	18538 (13673)	21986 (16216)	28883 (21303)						
LPS-30A-685X-FC4-4	start	16537 (12197)		12013 (8860)	15797 (11651)	19582 (14443)	23367 (17235)	27152 (20026)	30936 (22817)	34721 (25609)				6,7 (97)	40500 (29871)	131,9 (8049)	
	run	7310 (5392)		4402 (3247)	6651 (4906)	8825 (6509)	10975 (8095)	13115 (9673)	15248 (11246)	17377 (12817)							
	end	10245 (7556)		4681 (3453)	8694 (6412)	12707 (9372)	16720 (12332)	20733 (15292)	24746 (18252)	28759 (21212)							
LPS-30A-535X-FC4-5	start	17417 (12846)					9179 (6770)	11488 (8473)	13797 (10176)	16106 (11879)	20723 (15284)	29958 (22096)	34575 (25501)	11,2 (162)	40500 (29871)	80,5 (4912)	
	run	7757 (5721)					1465 (1081)	3913 (2886)	5408 (3989)	6763 (4988)	9414 (6943)	14639 (10797)	17239 (12715)				
	end	10987 (8104)					1465 (1081)	3913 (2886)	6361 (4692)	8808 (6496)	13704 (10108)	23496 (17330)	28391 (20940)				
LPS-30A-585X-FC4-5	start	17481 (12893)				10548 (7780)	13308 (9815)	16069 (11852)	18829 (13888)	21590 (15924)	27110 (19995)			9,4 (136)	40500 (29871)	96,2 (5870)	
	run	7793 (5748)				2916 (2151)	5116 (3773)	6742 (4973)	8332 (6145)	9907 (7307)	13033 (9613)						
	end	11055 (8154)				2916 (2151)	5843 (4310)	8770 (6468)	11696 (8627)	14623 (10785)	20477 (15103)						
LPS-30A-635X-FC4-5	start	17480 (12893)			11231 (8284)	14483 (10682)	17736 (13081)	20988 (15480)	24240 (17878)	27493 (20278)	33998 (25076)			7,9 (115)	40500 (29871)	113,4 (6920)	
	run	7793 (5748)			3640 (2685)	5815 (4289)	7705 (5683)	9565 (7055)	11411 (8416)	13249 (9772)	16914 (12475)						
	end	11053 (8152)			3640 (2685)	7088 (5228)	10537 (7772)	13985 (10315)	17434 (12859)	20882 (15402)	27779 (20489)						
LPS-30A-685X-FC4-5	start	17479 (12892)		11171 (8239)	14956 (11031)	18741 (13823)	22526 (16614)	26311 (19406)	30095 (22197)	33880 (24989)				6,8 (99)	40500 (29871)	131,9 (8049)	
	run	7792 (5747)		3577 (2638)	6093 (4494)	8282 (6108)	10439 (7699)	12581 (9279)	14717 (10855)	16848 (12426)							
	end	11052 (8152)		3577 (2638)	7590 (5598)	11603 (8558)	15616 (11518)	19629 (14478)	23642 (17437)	27654 (20397)							

Actuator Model	METRIC/IMPERIAL TORQUE TABLE																
	Spring Torque	barg (PSIG)	barg (PSIG)	barg (PSIG)	barg (PSIG)	barg (PSIG)	barg (PSIG)	barg (PSIG)	barg (PSIG)	barg (PSIG)	barg (PSIG)	barg (PSIG)	barg (PSIG)	barg (PSIG)	Max Operating Pressure	Max Operating Torque	Swept Volume*
		2.5 (36)	3 (44)	3.5 (51)	4 (58)	4.5 (65)	5 (73)	5.5 (80)	6 (87)	7 (102)	9 (131)	10 (145)	12 (174)				
		Output Torque Nm (ft-lb) @ supply pressure barg (PSIG)															
Nm (ft-lb)	Nm (ft-lb)	Nm (ft-lb)	Nm (ft-lb)	Nm (ft-lb)	Nm (ft-lb)	Nm (ft-lb)	Nm (ft-lb)	Nm (ft-lb)	Nm (ft-lb)	Nm (ft-lb)	Nm (ft-lb)	Nm (ft-lb)	Nm (ft-lb)	barg (PSIG)	Nm (ft-lb)	L (cu in)	
LPS-30A-535X-FC5-2	start	19388 (14300)						5982 (4412)	8291 (6115)	10599 (7817)	15217 (11223)	24452 (18035)	29069 (21440)	12 (174)	40500 (29871)	80,5 (4912)	
	run	9759 (7198)						1603 (1182)	3326 (2453)	4665 (3441)	7288 (5375)	12485 (9208)	15080 (11122)				
	end	16269 (11999)						1603 (1182)	4051 (2988)	6499 (4793)	11394 (8404)	21186 (15626)	26082 (19237)				
LPS-30A-585X-FC5-2	start	19452 (14347)				7802 (5754)	10563 (7791)	13323 (9827)	16084 (11863)	21604 (15934)	32646 (24078)			10,4 (151)	40500 (29871)	96,2 (5870)	
	run	9795 (7224)				3036 (2239)	4644 (3425)	6217 (4585)	7778 (5737)	10885 (8028)	17090 (12605)						
	end	16336 (12049)				3533 (2606)	6460 (4765)	9387 (6923)	12313 (9082)	18167 (13399)	29874 (22034)						
LPS-30A-635X-FC5-2	start	19451 (14346)			5725 (4223)	8977 (6621)	12230 (9020)	15482 (11419)	18734 (13817)	21987 (16217)	28492 (21015)			8,8 (128)	40500 (29871)	113,4 (6920)	
	run	9794 (7224)			1330 (981)	3728 (2750)	5596 (4127)	7438 (5486)	9271 (6838)	11100 (8187)	14755 (10883)						
	end	16335 (12048)			1330 (981)	4779 (3525)	8227 (6068)	11676 (8612)	15124 (11155)	18572 (13698)	25469 (18785)						
LPS-30A-685X-FC5-2	start	19450 (14346)		5665 (4178)	9450 (6970)	13235 (9762)	17020 (12553)	20804 (15344)	24589 (18136)	28374 (20928)	35944 (26511)			7,6 (110)	40500 (29871)	131,9 (8049)	
	run	9794 (7224)		1267 (934)	4003 (2952)	6167 (4549)	8306 (6126)	10435 (7696)	12562 (9265)	14689 (10834)	18943 (13972)						
	end	16334 (12047)		1267 (934)	5280 (3894)	9293 (6854)	13306 (9814)	17319 (12774)	21332 (15734)	25345 (18693)	33370 (24612)						
LPS-30A-535X-FC5-3	start	22610 (16676)								7970 (5878)	12587 (9284)	21822 (16095)	26439 (19500)	35674 (26312)	12 (174)	40500 (29871)	80,5 (4912)
	run	11333 (8359)								2723 (2008)	5510 (4064)	10743 (7924)	13340 (9839)	18530 (13667)			
	end	18792 (13860)								2723 (2008)	7619 (5619)	17410 (12841)	22306 (16452)	32097 (23673)			
LPS-30A-585X-FC5-3	start	22674 (16723)						7933 (5851)	10693 (7887)	13454 (9923)	18974 (13994)	30016 (22139)	35537 (26211)	10,8 (157)	40500 (29871)	96,2 (5870)	
	run	11369 (8385)						2684 (1980)	4415 (3256)	6007 (4431)	9138 (6740)	15350 (11322)	18453 (13610)				
	end	18859 (13910)						2684 (1980)	5611 (4138)	8538 (6297)	14391 (10614)	26098 (19249)	31952 (23567)				
LPS-30A-635X-FC5-3	start	22673 (16723)				6347 (4681)	9600 (7081)	12852 (9479)	16105 (11878)	19357 (14277)	25862 (19075)			9,2 (133)	40500 (29871)	113,4 (6920)	
	run	11368 (8385)				1003 (740)	3772 (2782)	5662 (4176)	7515 (5543)	9354 (6899)	13016 (9600)						
	end	18858 (13909)				1003 (740)	4452 (3284)	7900 (5827)	11348 (8370)	14797 (10914)	21694 (16001)						
LPS-30A-685X-FC5-3	start	22672 (16722)			6820 (5030)	10605 (7822)	14390 (10614)	18175 (13405)	21959 (16196)	25744 (18988)	33314 (24571)			7,9 (115)	40500 (29871)	131,9 (8049)	
	run	11368 (8385)			1505 (1110)	4364 (3219)	6541 (4824)	8687 (6407)	10821 (7981)	12950 (9551)	17203 (12688)						
	end	18857 (13908)			1505 (1110)	5518 (4070)	9530 (7029)	13543 (9989)	17556 (12949)	21569 (15908)	29595 (21828)						

Actuator Model	METRIC/IMPERIAL TORQUE TABLE																
	Spring Torque	barg (PSIG)	barg (PSIG)	barg (PSIG)	barg (PSIG)	barg (PSIG)	barg (PSIG)	barg (PSIG)	barg (PSIG)	barg (PSIG)	barg (PSIG)	barg (PSIG)	barg (PSIG)	barg (PSIG)	Max Operating Pressure	Max Operating Torque	Swept Volume*
		2.5 (36)	3 (44)	3.5 (51)	4 (58)	4.5 (65)	5 (73)	5.5 (80)	6 (87)	7 (102)	9 (131)	10 (145)	12 (174)				
		Output Torque Nm (ft-lb) @ supply pressure barg (PSIG)															
Nm (ft-lb)	Nm (ft-lb)	Nm (ft-lb)	Nm (ft-lb)	Nm (ft-lb)	Nm (ft-lb)	Nm (ft-lb)	Nm (ft-lb)	Nm (ft-lb)	Nm (ft-lb)	Nm (ft-lb)	Nm (ft-lb)	Nm (ft-lb)	Nm (ft-lb)	barg (PSIG)	Nm (ft-lb)	L (cu in)	
LPS-30C-535X-FC2-3	start	11005 (8117)			13257 (9778)	16758 (12360)	20260 (14943)	23762 (17526)	27264 (20109)	30766 (22692)					7,3 (106)	40500 (29871)	80,7 (4925)
	run	5955 (4392)			895 (660)	2777 (2048)	4466 (3294)	5835 (4304)	7166 (5285)	8482 (6256)							
	end	10698 (7890)			895 (660)	2777 (2048)	4660 (3437)	6542 (4825)	8425 (6214)	10307 (7602)							
LPS-30C-585X-FC2-3	start	11057 (8155)		13962 (10298)	18149 (13386)	22336 (16474)	26523 (19562)	30710 (22650)	34897 (25739)					6,1 (88)	40500 (29871)	96,5 (5889)	
	run	5991 (4419)		1274 (940)	3525 (2600)	5285 (3898)	6887 (5080)	8461 (6241)	10023 (7393)								
	end	10801 (7966)		1274 (940)	3525 (2600)	5776 (4260)	8026 (5920)	10277 (7580)	12528 (9240)								
LPS-30C-635X-FC2-3	start	11056 (8154)	13505 (9961)	18439 (13600)	23372 (17238)	28305 (20877)	33238 (24515)							5,2 (75)	40500 (29871)	113,7 (6938)	
	run	5990 (4418)	1028 (758)	3680 (2714)	5686 (4194)	7559 (5575)	9405 (6937)										
	end	10800 (7966)	1028 (758)	3680 (2714)	6332 (4670)	8984 (6626)	11636 (8582)										
LPS-30C-685X-FC2-3	start	11056 (8154)	17541 (12938)	23282 (17172)	29022 (21405)	34763 (25640)								4,4 (64)	40500 (29871)	132,3 (8073)	
	run	5990 (4418)	3198 (2359)	5651 (4168)	7828 (5774)	9973 (7356)											
	end	10798 (7964)	3198 (2359)	6284 (4635)	9370 (6911)	12456 (9187)											
LPS-30C-535X-FC4-2	start	12238 (9026)				13591 (10024)	17092 (12606)	20594 (15189)	24096 (17772)	27598 (20355)	34601 (25520)			7,8 (113)	40500 (29871)	80,7 (4925)	
	run	6893 (5084)				1415 (1044)	3298 (2432)	4793 (3535)	6140 (4529)	7461 (5503)	10075 (7431)						
	end	13769 (10155)				1415 (1044)	3298 (2432)	5180 (3821)	7062 (5209)	8945 (6597)	12710 (9374)						
LPS-30C-585X-FC4-2	start	12290 (9065)			14981 (11049)	19168 (14138)	23355 (17226)	27542 (20314)	31729 (23402)	35916 (26490)				6,5 (94)	40500 (29871)	96,5 (5889)	
	run	6929 (5111)			2163 (1595)	4228 (3118)	5858 (4321)	7440 (5487)	9006 (6642)	10562 (7790)							
	end	13872 (10231)			2163 (1595)	4414 (3256)	6664 (4915)	8915 (6575)	11166 (8236)	13417 (9896)							
LPS-30C-635X-FC4-2	start	12289 (9064)		15271 (11263)	20204 (14902)	25137 (18540)	30070 (22178)	35003 (25817)						5,5 (80)	40500 (29871)	113,7 (6938)	
	run	6929 (5111)		2318 (1710)	4640 (3422)	6535 (4820)	8387 (6186)	10224 (7541)									
	end	13871 (10231)		2318 (1710)	4970 (3666)	7622 (5622)	10274 (7578)	12926 (9534)									
LPS-30C-685X-FC4-2	start	12288 (9063)	14373 (10601)	20114 (14835)	25854 (19069)	31595 (23303)								4,7 (68)	40500 (29871)	132,3 (8073)	
	run	6928 (5110)	1836 (1354)	4605 (3396)	6806 (5020)	8956 (6606)											
	end	13869 (10229)	1836 (1354)	4922 (3630)	8008 (5906)	11094 (8183)											

Actuator Model	METRIC/IMPERIAL TORQUE TABLE																			
	Spring Torque	barg (PSIG)	barg (PSIG)	barg (PSIG)	barg (PSIG)	barg (PSIG)	barg (PSIG)	barg (PSIG)	barg (PSIG)	barg (PSIG)	barg (PSIG)	barg (PSIG)	barg (PSIG)	barg (PSIG)	Max Operating Pressure	Max Operating Torque	Swept Volume*			
		2.5 (36)	3 (44)	3.5 (51)	4 (58)	4.5 (65)	5 (73)	5.5 (80)	6 (87)	7 (102)	9 (131)	10 (145)	12 (174)							
		Output Torque Nm (ft-lb) @ supply pressure barg (PSIG)																		
Nm (ft-lb)	Nm (ft-lb)	Nm (ft-lb)	Nm (ft-lb)	Nm (ft-lb)	Nm (ft-lb)	Nm (ft-lb)	Nm (ft-lb)	Nm (ft-lb)	Nm (ft-lb)	Nm (ft-lb)	Nm (ft-lb)	Nm (ft-lb)	Nm (ft-lb)	barg (PSIG)	Nm (ft-lb)	L (cu in)				
LPS-30C-535X-FC4-4	start	13432 (9907)					15723 (11597)	19224 (14179)	22726 (16762)	26228 (19345)	33232 (24511)				8 (116)	40500 (29871)	80,7 (4925)			
	run	7564 (5579)					1977 (1458)	3860 (2847)	5304 (3912)	6651 (4906)	9286 (6849)									
	end	15096 (11134)					1977 (1458)	3860 (2847)	5742 (4235)	7625 (5624)	11390 (8401)									
LPS-30C-585X-FC4-4	start	13484 (9945)			13612 (10040)	17799 (13128)	21986 (16216)	26172 (19303)	30359 (22392)	34546 (25480)					6,7 (97)	40500 (29871)	96,5 (5889)			
	run	7600 (5605)			842 (621)	3093 (2281)	5013 (3697)	6630 (4890)	8211 (6056)	9776 (7210)										
	end	15200 (11211)			842 (621)	3093 (2281)	5344 (3942)	7595 (5602)	9846 (7262)	12096 (8922)										
LPS-30C-635X-FC4-4	start	13483 (9945)		13901 (10253)	18834 (13891)	23768 (17530)	28701 (21169)	33634 (24807)							5,6 (81)	40500 (29871)	113,7 (6938)			
	run	7599 (5605)		998 (736)	3650 (2692)	5708 (4210)	7587 (5596)	9436 (6960)												
	end	15198 (11209)		998 (736)	3650 (2692)	6302 (4648)	8954 (6604)	11606 (8560)												
LPS-30C-685X-FC4-4	start	13482 (9944)		18744 (13825)	24485 (18059)	30226 (22294)	35966 (26527)								4,8 (70)	40500 (29871)	132,3 (8073)			
	run	7599 (5605)		3602 (2657)	5985 (4414)	8160 (6018)	10305 (7601)													
	end	15197 (11209)		3602 (2657)	6688 (4933)	9774 (7209)	12860 (9485)													
LPS-30C-535X-FC4-5	start	14202 (10475)					14458 (10664)	17960 (13247)	21462 (15830)	24964 (18412)	31967 (23578)				8,2 (119)	40500 (29871)	80,7 (4925)			
	run	8049 (5937)					1127 (831)	3009 (2219)	4704 (3469)	6078 (4483)	8730 (6439)									
	end	16322 (12038)					1127 (831)	3009 (2219)	4892 (3608)	6774 (4996)	10539 (7773)									
LPS-30C-585X-FC4-5	start	14254 (10513)				16534 (12195)	20721 (15283)	24908 (18371)	29095 (21459)	33282 (24548)					6,8 (99)	40500 (29871)	96,5 (5889)			
	run	8085 (5963)				2243 (1654)	4401 (3246)	6057 (4467)	7650 (5642)	9222 (6802)										
	end	16426 (12115)				2243 (1654)	4494 (3315)	6744 (4974)	8995 (6634)	11246 (8295)										
LPS-30C-635X-FC4-5	start	14253 (10512)			17570 (12959)	22503 (16597)	27436 (20236)	32370 (23875)							5,8 (84)	40500 (29871)	113,7 (6938)			
	run	8085 (5963)			2800 (2065)	5120 (3776)	7023 (5180)	8881 (6550)												
	end	16424 (12114)			2800 (2065)	5452 (4021)	8104 (5977)	10755 (7932)												
LPS-30C-685X-FC4-5	start	14252 (10512)		17480 (12893)	23221 (17127)	28961 (21361)	34702 (25595)								5 (73)	40500 (29871)	132,3 (8073)			
	run	8084 (5962)		2751 (2029)	5402 (3984)	7600 (5605)	9753 (7193)													
	end	16422 (12112)		2751 (2029)	5837 (4305)	8923 (6581)	12009 (8857)													

Actuator Model	METRIC/IMPERIAL TORQUE TABLE																			
	Spring Torque	barg (PSIG)	barg (PSIG)	barg (PSIG)	barg (PSIG)	barg (PSIG)	barg (PSIG)	barg (PSIG)	barg (PSIG)	barg (PSIG)	barg (PSIG)	barg (PSIG)	barg (PSIG)	barg (PSIG)	Max Operating Pressure	Max Operating Torque	Swept Volume*			
		2.5 (36)	3 (44)	3.5 (51)	4 (58)	4.5 (65)	5 (73)	5.5 (80)	6 (87)	7 (102)	9 (131)	10 (145)	12 (174)							
		Output Torque Nm (ft-lb) @ supply pressure barg (PSIG)																		
Nm (ft-lb)	Nm (ft-lb)	Nm (ft-lb)	Nm (ft-lb)	Nm (ft-lb)	Nm (ft-lb)	Nm (ft-lb)	Nm (ft-lb)	Nm (ft-lb)	Nm (ft-lb)	Nm (ft-lb)	Nm (ft-lb)	Nm (ft-lb)	Nm (ft-lb)	barg (PSIG)	Nm (ft-lb)	L (cu in)				
LPS-30C-535X-FC5-2	start	15810 (11661)						9379 (6918)	12880 (9500)	16382 (12083)	23386 (17249)				9,4 (136)	40500 (29871)	80,7 (4925)			
	run	9877 (7285)						1232 (909)	2928 (2160)	4274 (3152)	6890 (5082)									
	end	24642 (18175)						1232 (909)	3115 (2298)	4997 (3686)	8762 (6463)									
LPS-30C-585X-FC5-2	start	15862 (11699)					12140 (8954)	16327 (12042)	20514 (15130)	24700 (18218)	33074 (24394)				7,8 (113)	40500 (29871)	96,5 (5889)			
	run	9913 (7311)					2630 (1940)	4253 (3137)	5822 (4294)	7378 (5442)	10472 (7724)									
	end	24745 (18251)					2716 (2003)	4967 (3663)	7218 (5324)	9469 (6984)	13970 (10304)									
LPS-30C-635X-FC5-2	start	15861 (11698)			8989 (6630)	13922 (10268)	18855 (13907)	23788 (17545)	28721 (21183)	33654 (24822)					6,6 (96)	40500 (29871)	113,7 (6938)			
	run	9912 (7311)			1022 (754)	3334 (2459)	5203 (3838)	7039 (5192)	8865 (6538)	10686 (7882)										
	end	24744 (18250)			1022 (754)	3674 (2710)	6326 (4666)	8978 (6622)	11630 (8578)	14282 (10534)										
LPS-30C-685X-FC5-2	start	15860 (11698)		8898 (6563)	14639 (10797)	20380 (15031)	26120 (19265)	31861 (23499)							5,7 (83)	40500 (29871)	132,3 (8073)			
	run	9911 (7310)		974 (718)	3611 (2663)	5772 (4257)	7903 (5829)	10024 (7393)												
	end	24742 (18249)		974 (718)	4060 (2994)	7146 (5271)	10232 (7547)	13318 (9823)												
LPS-30C-535X-FC5-3	start	18435 (13597)								12461 (9191)	19464 (14356)	33471 (24687)			10 (145)	40500 (29871)	80,7 (4925)			
	run	11478 (8466)								2095 (1545)	5039 (3717)	10256 (7564)								
	end	28443 (20978)								2095 (1545)	5860 (4322)	13390 (9876)								
LPS-30C-585X-FC5-3	start	18487 (13635)						12405 (9149)	16592 (12238)	20779 (15326)	29153 (21502)			8,3 (120)	40500 (29871)	96,5 (5889)				
	run	11513 (8492)						2066 (1524)	3940 (2906)	5535 (4082)	8657 (6385)									
	end	28547 (21055)						2066 (1524)	4316 (3183)	6567 (4844)	11069 (8164)									
LPS-30C-635X-FC5-3	start	18486 (13635)					14934 (11015)	19867 (14653)	24800 (18292)	29733 (21930)				7 (102)	40500 (29871)	113,7 (6938)				
	run	11513 (8492)					3286 (2424)	5191 (3829)	7040 (5192)	8873 (6544)										
	end	28545 (21054)					3425 (2526)	6077 (4482)	8729 (6438)	11380 (8393)										
LPS-30C-685X-FC5-3	start	18485 (13634)			10718 (7905)	16458 (12139)	22199 (16373)	27940 (20607)	33680 (24841)					6 (87)	40500 (29871)	132,3 (8073)				
	run	11512 (8491)			1158 (854)	3888 (2868)	6068 (4476)	8207 (6053)	10333 (7621)											
	end	28544 (21053)			1158 (854)	4244 (3130)	7330 (5406)	10416 (7682)	13502 (9959)											

Limitorque™ LPS Series Actuator

Actuator Model	METRIC/IMPERIAL TORQUE TABLE																
	Spring Torque	barg (PSIG)	barg (PSIG)	barg (PSIG)	barg (PSIG)	barg (PSIG)	barg (PSIG)	barg (PSIG)	barg (PSIG)	barg (PSIG)	barg (PSIG)	barg (PSIG)	barg (PSIG)	barg (PSIG)	Max Operating Pressure	Max Operating Torque	Swept Volume*
		2.5 (36)	3 (44)	3.5 (51)	4 (58)	4.5 (65)	5 (73)	5.5 (80)	6 (87)	7 (102)	9 (131)	10 (145)	12 (174)				
		Output Torque Nm (ft-lb) @ supply pressure barg (PSIG)															
Nm (ft-lb)	Nm (ft-lb)	Nm (ft-lb)	Nm (ft-lb)	Nm (ft-lb)	Nm (ft-lb)	Nm (ft-lb)	Nm (ft-lb)	Nm (ft-lb)	Nm (ft-lb)	Nm (ft-lb)	Nm (ft-lb)	Nm (ft-lb)	Nm (ft-lb)	barg (PSIG)	Nm (ft-lb)	L (cu in)	
LPS-35A-685X-FC2-2	start	24038 (17729)		8228 (6069)	12905 (9518)	17582 (12968)	22259 (16417)	26936 (19867)	31614 (23317)	36291 (26767)	45646 (33667)	64354 (47465)			10,1 (146)	75000 (55317)	164,6 (10045)
	run	11789 (8695)		1565 (1154)	5249 (3871)	7945 (5860)	10599 (7817)	13237 (9763)	15868 (11704)	18497 (13643)	23754 (17520)	34268 (25275)					
	end	19010 (14021)		1565 (1154)	6524 (4812)	11483 (8469)	16442 (12127)	21401 (15785)	26360 (19442)	31320 (23100)	41238 (30416)	61074 (45046)					
LPS-35A-735X-FC2-2	start	24036 (17728)		12472 (9199)	17858 (13171)	23242 (17142)	28627 (21114)	34012 (25086)	39397 (29058)	44782 (33029)	55552 (40973)			8,8 (128)	75000 (55317)	189,6 (11570)	
	run	11788 (8694)		4995 (3684)	8102 (5976)	11154 (8227)	14190 (10466)	17216 (12698)	20243 (14930)	23269 (17162)	29321 (21626)						
	end	19008 (14020)		6066 (4474)	11775 (8685)	17485 (12896)	23194 (17107)	28904 (21318)	34613 (25529)	40323 (29741)	51742 (38163)						
LPS-35A-785X-FC2-2	start	24035 (17727)	10874 (8020)	17016 (12550)	23159 (17081)	29302 (21612)	35444 (26142)	41587 (30673)	47729 (35203)	53872 (39734)	66157 (48795)			7,7 (112)	75000 (55317)	216,2 (13193)	
	run	11787 (8694)	4035 (2976)	7622 (5622)	11107 (8192)	14569 (10746)	18021 (13292)	21473 (15838)	24925 (18384)	28377 (20930)	35280 (26021)						
	end	19006 (14018)	4370 (3223)	10883 (8027)	17396 (12831)	23909 (17634)	30422 (22438)	36934 (27241)	43447 (32045)	49960 (36849)	62985 (46455)						
LPS-35A-835X-FC2-2	start	24033 (17726)	14909 (10996)	21859 (16122)	28809 (21248)	35759 (26374)	42709 (31500)	49659 (36627)	56609 (41753)	63559 (46879)				6,8 (99)	75000 (55317)	244,7 (14933)	
	run	11786 (8693)	6414 (4731)	10373 (7651)	14292 (10541)	18198 (13422)	22104 (16303)	26009 (19183)	29915 (22064)	33820 (24944)							
	end	19005 (14017)	8649 (6379)	16018 (11814)	23387 (17249)	30756 (22684)	38124 (28119)	45493 (33554)	52862 (38989)	60231 (44424)							
LPS-35A-885X-FC2-2	start	24031 (17724)	19194 (14157)	27001 (19915)	34808 (25673)	42616 (31432)	50423 (37190)	58230 (42948)	66037 (48706)					6 (87)	75000 (55317)	274,8 (16769)	
	run	11785 (8692)	8862 (6536)	13274 (9790)	17664 (13028)	22051 (16264)	26438 (19500)	30826 (22736)	35213 (25972)								
	end	19003 (14016)	13192 (9730)	21470 (15835)	29748 (21941)	38025 (28046)	46303 (34151)	54581 (40257)	62858 (46362)								
LPS-35A-935X-FC2-2	start	24030 (17724)	23728 (17501)	32442 (23928)	41156 (30355)	49870 (36782)	58585 (43210)	67299 (49637)						5,4 (78)	75000 (55317)	306,8 (18722)	
	run	11784 (8691)	11428 (8429)	16334 (12047)	21231 (15659)	26128 (19271)	31025 (22883)	35922 (26495)									
	end	19001 (14014)	17999 (13275)	27238 (20090)	36478 (26905)	45717 (33719)	54957 (40534)	64196 (47348)									
LPS-35A-685X-FC3-1	start	29088 (21454)				13877 (10235)	18554 (13685)	23232 (17135)	27909 (20585)	32586 (24034)	41941 (30934)	60650 (44733)		10,5 (152)	75000 (55317)	164,6 (10045)	
	run	14147 (10434)				5144 (3794)	7908 (5833)	10588 (7809)	13241 (9766)	15882 (11714)	21144 (15595)	31658 (23350)					
	end	22564 (16642)				5565 (4105)	10524 (7762)	15484 (11420)	20443 (15078)	25402 (18736)	35320 (26051)	55157 (40682)					
LPS-35A-735X-FC3-1	start	29086 (21453)			14153 (10439)	19538 (14410)	24922 (18381)	30308 (22354)	35692 (26325)	41078 (30298)	51847 (38240)			9,1 (132)	75000 (55317)	189,6 (11570)	
	run	14146 (10434)			5313 (3919)	8476 (6252)	11550 (8519)	14596 (10765)	17631 (13004)	20660 (15238)	26712 (19702)						
	end	22562 (16641)			5857 (4320)	11567 (8531)	17276 (12742)	22986 (16954)	28695 (21164)	34405 (25376)	45824 (33798)						

Limitorque™ LPS Series Actuator

Actuator Model	METRIC/IMPERIAL TORQUE TABLE																
	Spring Torque	barg (PSIG)	barg (PSIG)	barg (PSIG)	barg (PSIG)	barg (PSIG)	barg (PSIG)	barg (PSIG)	barg (PSIG)	barg (PSIG)	barg (PSIG)	barg (PSIG)	barg (PSIG)	barg (PSIG)	Max Operating Pressure	Max Operating Torque	Swept Volume*
		2.5 (36)	3 (44)	3.5 (51)	4 (58)	4.5 (65)	5 (73)	5.5 (80)	6 (87)	7 (102)	9 (131)	10 (145)	12 (174)				
		Output Torque Nm (ft-lb) @ supply pressure barg (PSIG)															
Nm (ft-lb)	Nm (ft-lb)	Nm (ft-lb)	Nm (ft-lb)	Nm (ft-lb)	Nm (ft-lb)	Nm (ft-lb)	Nm (ft-lb)	Nm (ft-lb)	Nm (ft-lb)	Nm (ft-lb)	Nm (ft-lb)	Nm (ft-lb)	Nm (ft-lb)	barg (PSIG)	Nm (ft-lb)	L (cu in)	
LPS-35A-785X-FC3-1	start	29085 (21452)		13312 (9818)	19454 (14349)	25597 (18879)	31739 (23409)	37882 (27940)	44024 (32470)	50167 (37001)	62452 (46062)				8 (116)	75000 (55317)	216,2 (13193)
	run	14145 (10433)		4792 (3534)	8427 (6215)	11932 (8801)	15405 (11362)	18864 (13913)	22316 (16459)	25767 (19005)	32671 (24097)						
	end	22561 (16640)		4966 (3663)	11478 (8466)	17991 (13269)	24504 (18073)	31016 (22876)	37529 (27680)	44042 (32484)	57068 (42091)						
LPS-35A-835X-FC3-1	start	29083 (21450)	11204 (8264)	18154 (13390)	25104 (18516)	32054 (23642)	39004 (28768)	45954 (33894)	52904 (39020)	59854 (44146)					7 (102)	75000 (55317)	244,7 (14933)
	run	14144 (10432)	2731 (2014)	7677 (5662)	11652 (8594)	15582 (11493)	19494 (14378)	23400 (17259)	27306 (20140)	31211 (23020)							
	end	22559 (16639)	2731 (2014)	10100 (7449)	17469 (12884)	24838 (18320)	32207 (23755)	39576 (29190)	46944 (34624)	54313 (40059)							
LPS-35A-885X-FC3-1	start	29081 (21449)	15489 (11424)	23296 (17182)	31103 (22940)	38910 (28698)	46718 (34457)	54525 (40216)	62332 (45974)						6,3 (91)	75000 (55317)	274,8 (16769)
	run	14143 (10431)	6116 (4511)	10625 (7837)	15046 (11097)	19442 (14340)	23829 (17575)	28216 (20811)	32604 (24047)								
	end	22557 (16637)	7274 (5365)	15552 (11471)	23830 (17576)	32107 (23681)	40385 (29786)	48663 (35892)	56941 (41997)								
LPS-35A-935X-FC3-1	start	29080 (21448)	20023 (14768)	28737 (21195)	37451 (27622)	46166 (34050)	54880 (40477)	63594 (46904)							5,6 (81)	75000 (55317)	306,8 (18722)
	run	14142 (10431)	8754 (6457)	13709 (10111)	18622 (13735)	23519 (17347)	28416 (20959)	33313 (24570)									
	end	22555 (16636)	12081 (8910)	21321 (15726)	30560 (22540)	39800 (29355)	49039 (36169)	58279 (42984)									
LPS-35A-685X-FC3-2	start	34254 (25264)					14418 (10634)	19095 (14084)	23772 (17533)	28450 (20984)	37804 (27883)	56513 (41682)	65868 (48582)		10,9 (158)	75000 (55317)	164,6 (10045)
	run	16649 (12280)					4470 (3297)	7694 (5675)	10407 (7676)	13077 (9645)	18370 (13549)	28891 (21309)	34148 (25186)				
	end	26532 (19569)					4470 (3297)	9429 (6954)	14388 (10612)	19347 (14270)	29265 (21585)	49102 (36216)	59020 (43531)				
LPS-35A-735X-FC3-2	start	34253 (25264)				15401 (11359)	20786 (15331)	26171 (19303)	31556 (23274)	36941 (27246)	47711 (35190)				9,5 (138)	75000 (55317)	189,6 (11570)
	run	16648 (12279)				5451 (4020)	8683 (6404)	11779 (8688)	14839 (10945)	17883 (13190)	23945 (17661)						
	end	26530 (19567)				5512 (4065)	11222 (8277)	16931 (12488)	22640 (16698)	28350 (20910)	39769 (29332)						
LPS-35A-785X-FC3-2	start	34251 (25262)			15318 (11298)	21460 (15828)	27603 (20359)	33745 (24889)	39888 (29420)	46030 (33950)	58316 (43012)				8,3 (120)	75000 (55317)	216,2 (13193)
	run	16647 (12278)			5397 (3981)	9074 (6693)	12595 (9290)	16078 (11859)	19543 (14414)	23000 (16964)	29904 (22056)						
	end	26529 (19567)			5423 (4000)	11936 (8804)	18449 (13607)	24962 (18411)	31474 (23214)	37987 (28018)	51013 (37625)						
LPS-35A-835X-FC3-2	start	34250 (25261)		14018 (10339)	20968 (15465)	27918 (20591)	34868 (25717)	41818 (30843)	48768 (35969)	55718 (41095)					7,3 (106)	75000 (55317)	244,7 (14933)
	run	16646 (12277)		4045 (2983)	8788 (6482)	12774 (9422)	16712 (12326)	20630 (15216)	24539 (18099)	28444 (20979)							
	end	26527 (19565)		4045 (2983)	11414 (8419)	18783 (13854)	26152 (19289)	33521 (24724)	40890 (30159)	48258 (35593)							

Actuator Model	METRIC/IMPERIAL TORQUE TABLE																
	Spring Torque	barg (PSIG)	barg (PSIG)	barg (PSIG)	barg (PSIG)	barg (PSIG)	barg (PSIG)	barg (PSIG)	barg (PSIG)	barg (PSIG)	barg (PSIG)	barg (PSIG)	barg (PSIG)	barg (PSIG)	Max Operating Pressure	Max Operating Torque	Swept Volume*
		2.5 (36)	3 (44)	3.5 (51)	4 (58)	4.5 (65)	5 (73)	5.5 (80)	6 (87)	7 (102)	9 (131)	10 (145)	12 (174)				
		Output Torque Nm (ft-lb) @ supply pressure barg (PSIG)															
Nm (ft-lb)	Nm (ft-lb)	Nm (ft-lb)	Nm (ft-lb)	Nm (ft-lb)	Nm (ft-lb)	Nm (ft-lb)	Nm (ft-lb)	Nm (ft-lb)	Nm (ft-lb)	Nm (ft-lb)	Nm (ft-lb)	Nm (ft-lb)	Nm (ft-lb)	barg (PSIG)	Nm (ft-lb)	L (cu in)	
LPS-35A-885X-FC3-2	start	34248 (25260)		19160 (14132)	26967 (19890)	34774 (25648)	42581 (31406)	50389 (37165)	58196 (42923)	66003 (48681)					6,5 (94)	75000 (55317)	274,8 (16769)
	run	16645 (12277)		7732 (5703)	12233 (9023)	16659 (12287)	21060 (15533)	25450 (18771)	29837 (22007)	34224 (25242)							
	end	26525 (19564)		9497 (7005)	17775 (13110)	26052 (19215)	34330 (25320)	42608 (31426)	50886 (37532)	59164 (43637)							
LPS-35A-935X-FC3-2	start	34246 (25259)	15886 (11717)	24600 (18144)	33315 (24572)	42029 (30999)	50743 (37426)	59458 (43854)							5,8 (84)	75000 (55317)	306,8 (18722)
	run	16644 (12276)	5758 (4247)	10882 (8026)	15835 (11679)	20749 (15304)	25649 (18918)	30546 (22530)									
	end	26523 (19562)	6026 (4445)	15266 (11260)	24505 (18074)	33745 (24889)	42984 (31703)	52224 (38518)									
LPS-35A-685X-FC3-3	start	38239 (28204)						16099 (11874)	20776 (15324)	25453 (18773)	34808 (25673)	53517 (39472)	62871 (46371)		11,2 (162)	75000 (55317)	164,6 (10045)
	run	18527 (13665)						4760 (3511)	8191 (6041)	10922 (8056)	16262 (11994)	26812 (19775)	32069 (23653)				
	end	29406 (21689)						4760 (3511)	9719 (7168)	14678 (10826)	24596 (18141)	44433 (32772)	54351 (40087)				
LPS-35A-735X-FC3-3	start	38237 (28202)					17790 (13121)	23175 (17093)	28560 (21065)	33945 (25037)	44715 (32980)	66255 (48867)			9,8 (142)	75000 (55317)	189,6 (11570)
	run	18527 (13665)					6371 (4699)	9602 (7082)	12706 (9371)	15773 (11634)	21859 (16122)	33970 (25055)					
	end	29404 (21687)					6552 (4832)	12262 (9044)	17972 (13255)	23681 (17466)	35100 (25888)	57938 (42733)					
LPS-35A-785X-FC3-3	start	38236 (28201)				18464 (13618)	24606 (18148)	30749 (22679)	36892 (27210)	43034 (31740)	55319 (40801)				8,6 (125)	75000 (55317)	216,2 (13193)
	run	18526 (13664)				6793 (5010)	10433 (7695)	13956 (10293)	17443 (12865)	20912 (15424)	27825 (20523)						
	end	29403 (21687)				7267 (5360)	13780 (10164)	20293 (14967)	26805 (19770)	33318 (24574)	46344 (34182)						
LPS-35A-835X-FC3-3	start	38234 (28200)			17972 (13255)	24922 (18381)	31872 (23508)	38822 (28634)	45772 (33760)	52721 (38885)	66621 (49137)				7,6 (110)	75000 (55317)	244,7 (14933)
	run	18525 (13663)			6486 (4784)	10616 (7830)	14595 (10765)	18534 (13670)	22454 (16561)	26365 (19446)	34176 (25207)						
	end	29401 (21685)			6745 (4975)	14114 (10410)	21483 (15845)	28852 (21280)	36220 (26714)	43589 (32150)	58327 (43020)						
LPS-35A-885X-FC3-3	start	38232 (28198)		16163 (11921)	23971 (17680)	31778 (23438)	39585 (29196)	47392 (34954)	55200 (40713)	63007 (46472)					6,7 (97)	75000 (55317)	274,8 (16769)
	run	18524 (13663)		4828 (3561)	10064 (7423)	14542 (10726)	18965 (13988)	23367 (17235)	27758 (20473)	32145 (23709)							
	end	29399 (21684)		4828 (3561)	13106 (9666)	21384 (15772)	29661 (21877)	37939 (27982)	46217 (34088)	54494 (40193)							
LPS-35A-935X-FC3-3	start	38231 (28198)		21604 (15934)	30318 (22361)	39033 (28789)	47747 (35216)	56461 (41643)	65176 (48071)						6 (87)	75000 (55317)	306,8 (18722)
	run	18523 (13662)		8682 (6404)	13711 (10113)	18653 (13758)	23567 (17382)	28467 (20996)	33364 (24608)								
	end	29397 (21682)		10597 (7816)	19836 (14630)	29076 (21445)	38315 (28260)	47555 (35075)	56794 (41889)								

Actuator Model	METRIC/IMPERIAL TORQUE TABLE																
	Spring Torque	barg (PSIG)	barg (PSIG)	barg (PSIG)	barg (PSIG)	barg (PSIG)	barg (PSIG)	barg (PSIG)	barg (PSIG)	barg (PSIG)	barg (PSIG)	barg (PSIG)	barg (PSIG)	barg (PSIG)	Max Operating Pressure	Max Operating Torque	Swept Volume*
		2.5 (36)	3 (44)	3.5 (51)	4 (58)	4.5 (65)	5 (73)	5.5 (80)	6 (87)	7 (102)	9 (131)	10 (145)	12 (174)				
		Output Torque Nm (ft-lb) @ supply pressure barg (PSIG)															
Nm (ft-lb)	Nm (ft-lb)	Nm (ft-lb)	Nm (ft-lb)	Nm (ft-lb)	Nm (ft-lb)	Nm (ft-lb)	Nm (ft-lb)	Nm (ft-lb)	Nm (ft-lb)	Nm (ft-lb)	Nm (ft-lb)	Nm (ft-lb)	Nm (ft-lb)	barg (PSIG)	Nm (ft-lb)	L (cu in)	
LPS-35A-685X-FC3-4	start	45753 (33746)								19774 (14585)	29129 (21484)	47838 (35283)	57192 (42183)	12 (174)	75000 (55317)	164,6 (10045)	
	run	22077 (16283)								5872 (4331)	12188 (8989)	22858 (16859)	28134 (20751)				
	end	34854 (25707)								5872 (4331)	15790 (11646)	35626 (26276)	45545 (33592)				
LPS-35A-735X-FC3-4	start	45752 (33745)						17496 (12904)	22881 (16876)	28266 (20848)	39036 (28791)	60576 (44678)		10,3 (149)	75000 (55317)	189,6 (11570)	
	run	22076 (16282)						3456 (2549)	8478 (6253)	11685 (8618)	17870 (13180)	30040 (22156)					
	end	34852 (25705)						3456 (2549)	9165 (6760)	14875 (10971)	26294 (19393)	49132 (36238)					
LPS-35A-785X-FC3-4	start	45750 (33743)				18928 (13961)	25070 (18491)	31213 (23021)	37355 (27552)	49640 (36613)				9 (131)	75000 (55317)	216,2 (13193)	
	run	22076 (16282)				4974 (3669)	9802 (7230)	13394 (9879)	16914 (12475)	23876 (17610)							
	end	34851 (25705)				4974 (3669)	11486 (8472)	17999 (13275)	24512 (18079)	37537 (27686)							
LPS-35A-835X-FC3-4	start	45749 (33743)			19243 (14193)	26193 (19319)	33143 (24445)	40092 (29570)	47042 (34696)	60942 (44948)				8 (116)	75000 (55317)	244,7 (14933)	
	run	22075 (16282)			5308 (3915)	10468 (7721)	14504 (10698)	18471 (13623)	22409 (16528)	30246 (22308)							
	end	34849 (25703)			5308 (3915)	12677 (9350)	20045 (14784)	27414 (20219)	34783 (25655)	49521 (36525)							
LPS-35A-885X-FC3-4	start	45747 (33741)		18292 (13491)	26099 (19250)	33906 (25008)	41713 (30766)	49521 (36525)	57328 (42283)					7,1 (103)	75000 (55317)	274,8 (16769)	
	run	22074 (16281)		4300 (3172)	10413 (7680)	14943 (11021)	19392 (14303)	23809 (17561)	28210 (20807)								
	end	34847 (25702)		4300 (3172)	12577 (9276)	20855 (15382)	29133 (21487)	37410 (27592)	45688 (33698)								
LPS-35A-935X-FC3-4	start	45745 (33740)	15925 (11746)	24640 (18174)	33354 (24601)	42068 (31028)	50782 (37455)	59497 (43883)						6,3 (91)	75000 (55317)	306,8 (18722)	
	run	22073 (16280)	1790 (1320)	9545 (7040)	14626 (10788)	19593 (14451)	24522 (18086)	29432 (21708)									
	end	34845 (25700)	1790 (1320)	11030 (8135)	20269 (14950)	29509 (21765)	38748 (28579)	47988 (35394)									
LPS-35C-685X-FC2-2	start	19600 (14456)		20036 (14778)	27130 (20010)	34225 (25243)	41319 (30475)	48413 (35708)	55508 (40941)					7,3 (106)	75000 (55317)	165,2 (10081)	
	run	11990 (8843)		4650 (3430)	7353 (5423)	9999 (7375)	12628 (9314)	15248 (11246)	17864 (13176)								
	end	28690 (21161)		5017 (3700)	8830 (6513)	12644 (9326)	16458 (12139)	20272 (14952)	24085 (17764)								
LPS-35C-735X-FC2-2	start	19599 (14455)	19381 (14295)	27548 (20318)	35716 (26343)	43884 (32367)	52052 (38392)	60219 (44415)						6,4 (93)	75000 (55317)	190,2 (11607)	
	run	11989 (8843)	4392 (3239)	7510 (5539)	10552 (7783)	13576 (10013)	16590 (12236)	19600 (14456)									
	end	28688 (21159)	4664 (3440)	9055 (6679)	13446 (9917)	17837 (13156)	22227 (16394)	26618 (19632)									

Actuator Model	METRIC/IMPERIAL TORQUE TABLE																			
	Spring Torque	barg (PSIG)	barg (PSIG)	barg (PSIG)	barg (PSIG)	barg (PSIG)	barg (PSIG)	barg (PSIG)	barg (PSIG)	barg (PSIG)	barg (PSIG)	barg (PSIG)	barg (PSIG)	barg (PSIG)	Max Operating Pressure	Max Operating Torque	Swept Volume*			
		2.5 (36)	3 (44)	3.5 (51)	4 (58)	4.5 (65)	5 (73)	5.5 (80)	6 (87)	7 (102)	9 (131)	10 (145)	12 (174)							
		Output Torque Nm (ft-lb) @ supply pressure barg (PSIG)																		
Nm (ft-lb)	Nm (ft-lb)	Nm (ft-lb)	Nm (ft-lb)	Nm (ft-lb)	Nm (ft-lb)	Nm (ft-lb)	Nm (ft-lb)	Nm (ft-lb)	Nm (ft-lb)	Nm (ft-lb)	Nm (ft-lb)	Nm (ft-lb)	Nm (ft-lb)	barg (PSIG)	Nm (ft-lb)	L (cu in)				
LPS-35C-785X-FC2-2	start	19598 (14455)	16956 (12506)	26273 (19378)	35589 (26249)	44906 (33121)	54223 (39993)	63540 (46865)							5,6 (81)	75000 (55317)	217 (13242)			
	run	11989 (8843)	3361 (2479)	7031 (5186)	10506 (7749)	13953 (10291)	17391 (12827)	20823 (15358)												
	end	28686 (21158)	3361 (2479)	8369 (6173)	13378 (9867)	18386 (13561)	23395 (17255)	28403 (20949)												
LPS-35C-835X-FC2-2	start	19596 (14453)	23077 (17021)	33618 (24795)	44160 (32571)	54701 (40345)	65242 (48120)								4,9 (71)	75000 (55317)	245,5 (14981)			
	run	11988 (8842)	5822 (4294)	9774 (7209)	13678 (10088)	17567 (12957)	21450 (15821)													
	end	28683 (21155)	6651 (4906)	12318 (9085)	17985 (13265)	23652 (17445)	29318 (21624)													
LPS-35C-885X-FC2-2	start	19595 (14453)	29575 (21813)	41417 (30548)	53259 (39282)	65100 (48015)									4,4 (64)	75000 (55317)	275,8 (16830)			
	run	11987 (8841)	8268 (6098)	12664 (9340)	17036 (12565)	21398 (15782)														
	end	28680 (21153)	10145 (7483)	16510 (12177)	22876 (16872)	29242 (21568)														
LPS-35C-935X-FC2-2	start	19594 (14452)	36452 (26886)	49669 (36634)	62887 (46383)										3,9 (57)	75000 (55317)	307,8 (18783)			
	run	11986 (8840)	10826 (7985)	15711 (11588)	20582 (15180)															
	end	28677 (21151)	13841 (10209)	20947 (15450)	28052 (20690)															
LPS-35C-685X-FC3-1	start	23718 (17493)				21638 (15959)	28733 (21192)	35827 (26425)	42921 (31657)	50016 (36890)	64204 (47354)				7,7 (112)	75000 (55317)	165,2 (10081)			
	run	14412 (10630)				4279 (3156)	7152 (5275)	9831 (7251)	12476 (9202)	15106 (11142)	20348 (15008)									
	end	34015 (25088)				4279 (3156)	8092 (5968)	11906 (8781)	15720 (11594)	19534 (14408)	27161 (20033)									
LPS-35C-735X-FC3-1	start	23717 (17493)			22056 (16268)	30224 (22292)	38392 (28316)	46559 (34340)	54727 (40365)	62895 (46389)					6,7 (97)	75000 (55317)	190,2 (11607)			
	run	14411 (10629)			4499 (3318)	7720 (5694)	10789 (7958)	13826 (10198)	16849 (12427)	19864 (14651)										
	end	34013 (25087)			4503 (3321)	8894 (6560)	13285 (9798)	17676 (13037)	22066 (16275)	26457 (19514)										
LPS-35C-785X-FC3-1	start	23716 (17492)		20780 (15327)	30097 (22198)	39414 (29070)	48731 (35942)	58048 (42814)	67364 (49685)						5,9 (86)	75000 (55317)	217 (13242)			
	run	14410 (10628)		3818 (2816)	7672 (5659)	11170 (8239)	14630 (10791)	18075 (13331)	21514 (15868)											
	end	34010 (25084)		3818 (2816)	8826 (6510)	13835 (10204)	18843 (13898)	23852 (17592)	28860 (21286)											
LPS-35C-835X-FC3-1	start	23715 (17491)	17584 (12969)	28126 (20745)	38667 (28519)	49209 (36295)	59750 (44069)								5,2 (75)	75000 (55317)	245,5 (14981)			
	run	14410 (10628)	2100 (1549)	6919 (5103)	10892 (8034)	14807 (10921)	18704 (13795)													
	end	34007 (25082)	2100 (1549)	7766 (5728)	13433 (9908)	19100 (14087)	24767 (18267)													

Limitorque™ LPS Series Actuator

Actuator Model	METRIC/IMPERIAL TORQUE TABLE																
	Spring Torque	barg (PSIG)	barg (PSIG)	barg (PSIG)	barg (PSIG)	barg (PSIG)	barg (PSIG)	barg (PSIG)	barg (PSIG)	barg (PSIG)	barg (PSIG)	barg (PSIG)	barg (PSIG)	barg (PSIG)	Max Operating Pressure	Max Operating Torque	Swept Volume*
		2.5 (36)	3 (44)	3.5 (51)	4 (58)	4.5 (65)	5 (73)	5.5 (80)	6 (87)	7 (102)	9 (131)	10 (145)	12 (174)				
		Output Torque Nm (ft-lb) @ supply pressure barg (PSIG)															
Nm (ft-lb)	Nm (ft-lb)	Nm (ft-lb)	Nm (ft-lb)	Nm (ft-lb)	Nm (ft-lb)	Nm (ft-lb)	Nm (ft-lb)	Nm (ft-lb)	Nm (ft-lb)	Nm (ft-lb)	Nm (ft-lb)	Nm (ft-lb)	Nm (ft-lb)	barg (PSIG)	Nm (ft-lb)	L (cu in)	
LPS-35C-885X-FC3-1	start	23713 (17490)	24083 (17763)	35925 (26497)	47766 (35230)	59608 (43965)									4,6 (67)	75000 (55317)	275,8 (16830)
	run	14409 (10628)	5341 (3939)	9867 (7278)	14274 (10528)	18651 (13756)											
	end	34005 (25081)	5593 (4125)	11959 (8820)	18325 (13516)	24690 (18210)											
LPS-35C-935X-FC3-1	start	23712 (17489)	30960 (22835)	44177 (32583)	57395 (42332)										4,1 (59)	75000 (55317)	307,8 (18783)
	run	14408 (10627)	7998 (5899)	12942 (9546)	17834 (13154)												
	end	34002 (25079)	9290 (6852)	16395 (12092)	23500 (17333)												
LPS-35C-685X-FC3-2	start	27931 (20601)					22568 (16645)	29662 (21878)	36756 (27110)	43850 (32342)	58039 (42807)				8,1 (117)	75000 (55317)	165,2 (10081)
	run	16963 (12511)					3436 (2534)	6786 (5005)	9514 (7017)	12180 (8983)	17454 (12873)						
	end	39992 (29497)					3436 (2534)	7250 (5347)	11064 (8160)	14878 (10973)	22505 (16599)						
LPS-35C-735X-FC3-2	start	27930 (20600)				24059 (17745)	32227 (23769)	40394 (29793)	48562 (35817)	56730 (41842)					7,1 (103)	75000 (55317)	190,2 (11607)
	run	16962 (12511)				4238 (3126)	7785 (5742)	10885 (8028)	13937 (10279)	16970 (12516)							
	end	39989 (29494)				4238 (3126)	8629 (6364)	13020 (9603)	17410 (12841)	21801 (16080)							
LPS-35C-785X-FC3-2	start	27929 (20599)				23932 (17651)	33249 (24523)	42566 (31395)	51883 (38267)	61199 (45138)					6,2 (90)	75000 (55317)	217 (13242)
	run	16961 (12510)				4170 (3076)	8178 (6032)	11700 (8629)	15171 (11190)	18623 (13736)							
	end	39987 (29493)				4170 (3076)	9179 (6770)	14187 (10464)	19196 (14158)	24204 (17852)							
LPS-35C-835X-FC3-2	start	27927 (20598)		21961 (16198)	32502 (23972)	43044 (31748)	53585 (39522)	64127 (47298)							5,5 (80)	75000 (55317)	245,5 (14981)
	run	16960 (12509)		3110 (2294)	7891 (5820)	11878 (8761)	15803 (11656)	19706 (14534)									
	end	39984 (29491)		3110 (2294)	8777 (6474)	14444 (10653)	20111 (14833)	25778 (19013)									
LPS-35C-885X-FC3-2	start	27926 (20597)		29760 (21950)	41601 (30683)	53443 (39417)	65285 (48152)								4,9 (71)	75000 (55317)	275,8 (16830)
	run	16959 (12508)		6824 (5033)	11338 (8362)	15750 (11617)	20135 (14851)										
	end	39982 (29489)		7303 (5386)	13669 (10082)	20034 (14776)	26400 (19472)										
LPS-35C-935X-FC3-2	start	27924 (20596)	24794 (18287)	38012 (28036)	51230 (37785)	64447 (47534)									4,3 (62)	75000 (55317)	307,8 (18783)
	run	16958 (12508)	4634 (3418)	9988 (7367)	14929 (11011)	19825 (14622)											
	end	39979 (29487)	4634 (3418)	11739 (8658)	18844 (13899)	25950 (19140)											

Actuator Model	METRIC/IMPERIAL TORQUE TABLE																			
	Spring Torque	barg (PSIG)	barg (PSIG)	barg (PSIG)	barg (PSIG)	barg (PSIG)	barg (PSIG)	barg (PSIG)	barg (PSIG)	barg (PSIG)	barg (PSIG)	barg (PSIG)	barg (PSIG)	barg (PSIG)	Max Operating Pressure	Max Operating Torque	Swept Volume*			
		2.5 (36)	3 (44)	3.5 (51)	4 (58)	4.5 (65)	5 (73)	5.5 (80)	6 (87)	7 (102)	9 (131)	10 (145)	12 (174)							
		Output Torque Nm (ft-lb) @ supply pressure barg (PSIG)																		
Nm (ft-lb)	Nm (ft-lb)	Nm (ft-lb)	Nm (ft-lb)	Nm (ft-lb)	Nm (ft-lb)	Nm (ft-lb)	Nm (ft-lb)	Nm (ft-lb)	Nm (ft-lb)	Nm (ft-lb)	Nm (ft-lb)	Nm (ft-lb)	Nm (ft-lb)	barg (PSIG)	Nm (ft-lb)	L (cu in)				
LPS-35C-685X-FC3-3	start	31180 (22997)						25213 (18596)	32307 (23828)	39401 (29061)	53590 (39526)				8,5 (123)	75000 (55317)	165,2 (10081)			
	run	18889 (13932)						3659 (2699)	7146 (5271)	9905 (7306)	15237 (11238)									
	end	44305 (32678)						3659 (2699)	7473 (5512)	11287 (8325)	18914 (13950)									
LPS-35C-735X-FC3-3	start	31179 (22996)					27778 (20488)	35945 (26512)	44113 (32536)	52281 (38560)					7,3 (106)	75000 (55317)	190,2 (11607)			
	run	18888 (13931)					5038 (3716)	8578 (6327)	11690 (8622)	14750 (10879)										
	end	44303 (32676)					5038 (3716)	9429 (6954)	13820 (10193)	18210 (13431)										
LPS-35C-785X-FC3-3	start	31178 (22996)				28800 (21242)	38117 (28114)	47434 (34985)	56750 (41857)	66067 (48728)					6,4 (93)	75000 (55317)	217 (13242)			
	run	18888 (13931)				5588 (4121)	9414 (6943)	12938 (9543)	16414 (12106)	19870 (14655)										
	end	44300 (32674)				5588 (4121)	10596 (7815)	15604 (11509)	20613 (15203)	25622 (18898)										
LPS-35C-835X-FC3-3	start	31176 (22994)			28053 (20691)	38595 (28466)	49136 (36241)	59678 (44016)							5,7 (83)	75000 (55317)	245,5 (14981)			
	run	18887 (13930)			5186 (3825)	9597 (7078)	13575 (10012)	17501 (12908)												
	end	44298 (32672)			5186 (3825)	10853 (8005)	16520 (12185)	22187 (16364)												
LPS-35C-885X-FC3-3	start	31175 (22993)		25311 (18668)	37152 (27402)	48994 (36136)	60836 (44870)								5 (73)	75000 (55317)	275,8 (16830)			
	run	18886 (13930)		3712 (2738)	9044 (6671)	13522 (9973)	17930 (13224)													
	end	44295 (32670)		3712 (2738)	10078 (7433)	16444 (12128)	22809 (16823)													
LPS-35C-935X-FC3-3	start	31173 (22992)		33563 (24755)	46781 (34504)	59998 (44252)									4,5 (65)	75000 (55317)	307,8 (18783)			
	run	18885 (13929)		7647 (5640)	12692 (9361)	17620 (12996)														
	end	44292 (32668)		8148 (6010)	15254 (11251)	22359 (16491)														
LPS-35C-685X-FC3-4	start	37305 (27515)								30974 (22845)	45162 (33310)				9,1 (132)	75000 (55317)	165,2 (10081)			
	run	22525 (16614)								4517 (3332)	10938 (8067)									
	end	52476 (38704)								4517 (3332)	12145 (8958)									
LPS-35C-735X-FC3-4	start	37303 (27513)						27517 (20295)	35685 (26320)	43853 (32344)	60188 (44392)				7,9 (115)	75000 (55317)	190,2 (11607)			
	run	22524 (16613)						2659 (1961)	7050 (5200)	10432 (7694)	16622 (12260)									
	end	52473 (38702)						2659 (1961)	7050 (5200)	11441 (8438)	20223 (14916)									

Actuator Model	METRIC/IMPERIAL TORQUE TABLE															Max Operating Pressure	Max Operating Torque	Swept Volume*			
	Spring Torque	barg (PSIG)	barg (PSIG)	barg (PSIG)	barg (PSIG)	barg (PSIG)	barg (PSIG)	barg (PSIG)	barg (PSIG)	barg (PSIG)	barg (PSIG)	barg (PSIG)	barg (PSIG)	barg (PSIG)	barg (PSIG)						
		2.5 (36)	3 (44)	3.5 (51)	4 (58)	4.5 (65)	5 (73)	5.5 (80)	6 (87)	7 (102)	9 (131)	10 (145)	12 (174)								
		Output Torque Nm (ft-lb) @ supply pressure barg (PSIG)																			
Nm (ft-lb)	Nm (ft-lb)	Nm (ft-lb)	Nm (ft-lb)	Nm (ft-lb)	Nm (ft-lb)	Nm (ft-lb)	Nm (ft-lb)	Nm (ft-lb)	Nm (ft-lb)	Nm (ft-lb)	Nm (ft-lb)	Nm (ft-lb)	Nm (ft-lb)	Nm (ft-lb)	barg (PSIG)	Nm (ft-lb)	L (cu in)				
LPS-35C-785X-FC3-4	start	37302 (27513)					29689 (21897)	39006 (28769)	48322 (35640)	57639 (42512)						6,9 (100)	75000 (55317)	217 (13242)			
	run	22523 (16612)					3827 (2823)	8517 (6282)	12148 (8960)	15667 (11555)											
	end	52471 (38701)					3827 (2823)	8835 (6516)	13844 (10211)	18852 (13904)											
LPS-35C-835X-FC3-4	start	37301 (27512)			30167 (22250)	40708 (30025)	51250 (37800)	61791 (45575)								6,1 (88)	75000 (55317)	245,5 (14981)			
	run	22522 (16611)			4084 (3012)	9199 (6785)	13261 (9781)	17221 (12702)													
	end	52468 (38698)			4084 (3012)	9750 (7191)	15417 (11371)	21084 (15551)													
LPS-35C-885X-FC3-4	start	37300 (27511)		28724 (21186)	40566 (29920)	52408 (38654)	64250 (47388)									5,4 (78)	75000 (55317)	275,8 (16830)			
	run	22521 (16611)		3308 (2440)	9143 (6744)	13699 (10104)	18139 (13379)														
	end	52465 (38696)		3308 (2440)	9674 (7135)	16040 (11830)	22406 (16526)														
LPS-35C-935X-FC3-4	start	37298 (27510)		38353 (28288)	51570 (38036)	64788 (47785)										4,8 (70)	75000 (55317)	307,8 (18783)			
	run	22520 (16610)		8251 (6086)	13382 (9870)	18340 (13527)															
	end	52462 (38694)		8484 (6257)	15590 (11499)	22695 (16739)															
LPS-40A-1050X-FC3-3	start	47173 (34793)	32385 (23886)	45853 (33819)	59320 (43752)	72787 (53685)	86254 (63618)	99722 (73551)	113189 (83484)	126656 (93417)						6,8 (99)	150000 (110634)	486,4 (29682)			
	run	22078 (16284)	13069 (9639)	20832 (15365)	28464 (20994)	36056 (26593)	43626 (32177)	51194 (37759)	58762 (43341)	66330 (48922)											
	end	33474 (24689)	16053 (11840)	30332 (22372)	44611 (32903)	58890 (43435)	73169 (53967)	87448 (64498)	101727 (75030)	116006 (85562)											
LPS-40A-1200X-FC3-3	start	47165 (34787)	52990 (39083)	70580 (52057)	88170 (65031)	105760 (78004)	123350 (90978)									5,2 (75)	150000 (110634)	635,3 (38768)			
	run	22074 (16281)	24885 (18354)	34813 (25677)	44703 (32971)	54588 (40262)	64472 (47552)														
	end	33465 (24682)	37900 (27954)	56550 (41709)	75200 (55465)	93850 (69220)	112501 (82976)														
LPS-40A-835X-FC3-3	start	47183 (34800)			24676 (18200)	33193 (24482)	41710 (30764)	50226 (37045)	58743 (43327)	67260 (49608)	84294 (62172)	118361 (87298)				10,8 (157)	150000 (110634)	307,6 (18771)			
	run	22084 (16288)			7880 (5812)	13543 (9989)	18467 (13621)	23319 (17199)	28139 (20754)	32943 (24297)	42524 (31364)	61668 (45484)									
	end	33484 (24696)			7880 (5812)	16910 (12472)	25940 (19132)	34970 (25793)	44000 (32453)	53030 (39113)	71090 (52433)	107210 (79074)									
LPS-40A-885X-FC3-3	start	47181 (34799)		22460 (16566)	32028 (23623)	41595 (30679)	51162 (37735)	60729 (44791)	70297 (51848)	79864 (58905)	98999 (73018)					9,6 (139)	150000 (110634)	345,5 (21084)			
	run	22083 (16288)		5530 (4079)	12858 (9484)	18401 (13572)	23849 (17590)	29260 (21581)	34653 (25559)	40035 (29528)	50788 (37459)										
	end	33482 (24695)		5530 (4079)	15674 (11561)	25818 (19042)	35962 (26524)	46106 (34006)	56250 (41488)	66394 (48970)	86681 (63933)										

Limitorque™ LPS Series Actuator

Actuator Model	METRIC/IMPERIAL TORQUE TABLE																			
	Spring Torque	barg (PSIG)	barg (PSIG)	barg (PSIG)	barg (PSIG)	barg (PSIG)	barg (PSIG)	barg (PSIG)	barg (PSIG)	barg (PSIG)	barg (PSIG)	barg (PSIG)	barg (PSIG)	barg (PSIG)	Max Operating Pressure	Max Operating Torque	Swept Volume*			
		2.5 (36)	3 (44)	3.5 (51)	4 (58)	4.5 (65)	5 (73)	5.5 (80)	6 (87)	7 (102)	9 (131)	10 (145)	12 (174)							
		Output Torque Nm (ft-lb) @ supply pressure barg (PSIG)																		
Nm (ft-lb)	Nm (ft-lb)	Nm (ft-lb)	Nm (ft-lb)	Nm (ft-lb)	Nm (ft-lb)	Nm (ft-lb)	Nm (ft-lb)	Nm (ft-lb)	Nm (ft-lb)	Nm (ft-lb)	Nm (ft-lb)	Nm (ft-lb)	Nm (ft-lb)	barg (PSIG)	Nm (ft-lb)	L (cu in)				
LPS-40A-985X-FC3-3	start	47177 (34796)	24310 (17930)	36161 (26671)	48013 (35413)	59864 (44153)	71716 (52895)	83567 (61636)	95419 (70377)	107270 (79118)	130974 (96601)				7,8 (113)	150000 (110634)	428 (26118)			
	run	22080 (16285)	7491 (5525)	15272 (11264)	22061 (16271)	28772 (21221)	35452 (26148)	42116 (31063)	48776 (35975)	55436 (40887)	68756 (50712)									
	end	33477 (24691)	7491 (5525)	20057 (14793)	32623 (24061)	45189 (33330)	57754 (42597)	70320 (51865)	82886 (61133)	95452 (70402)	120583 (88937)									
LPS-40A-1050X-FC4-1	start	59401 (43812)		37522 (27675)	50989 (37607)	64457 (47541)	77924 (57474)	91391 (67406)	104859 (77340)	118326 (87273)				7,1 (103)	150000 (110634)	486,4 (29682)				
	run	27608 (20363)		14257 (10515)	22148 (16336)	29836 (22006)	37457 (27627)	45049 (33226)	52624 (38813)	60192 (44395)										
	end	41465 (30583)		16003 (11803)	30282 (22335)	44561 (32866)	58840 (43398)	73119 (53930)	87398 (64461)	101677 (74993)										
LPS-40A-1200X-FC4-1	start	59392 (43805)	44660 (32939)	62250 (45913)	79840 (58887)	97430 (71861)	115020 (84834)	132610 (97808)						5,4 (78)	150000 (110634)	635,3 (38768)				
	run	27604 (20360)	18484 (13633)	28581 (21080)	38539 (28425)	48450 (35735)	58334 (43025)	68219 (50316)												
	end	41457 (30577)	23571 (17385)	42221 (31141)	60871 (44896)	79522 (58652)	98172 (72408)	116822 (86163)												
LPS-40A-835X-FC4-1	start	59411 (43819)					33379 (24619)	41896 (30901)	50413 (37183)	58929 (43464)	75963 (56027)	110030 (81154)	127064 (93717)	11,3 (164)	150000 (110634)	307,6 (18771)				
	run	27614 (20367)					11611 (8564)	16865 (12439)	21816 (16091)	26692 (19687)	36350 (26810)	55530 (40957)	65103 (48017)							
	end	41476 (30591)					11611 (8564)	20641 (15224)	29671 (21884)	38701 (28544)	56761 (41865)	92881 (68505)	110942 (81826)							
LPS-40A-885X-FC4-1	start	59409 (43818)				33264 (24534)	42832 (31591)	52399 (38647)	61966 (45704)	71534 (52761)	90668 (66873)	128937 (95099)		10,1 (146)	150000 (110634)	345,5 (21084)				
	run	27613 (20366)				11489 (8474)	17415 (12845)	22957 (16932)	28420 (20961)	33846 (24963)	44642 (32926)	66156 (48794)								
	end	41474 (30590)				11489 (8474)	21633 (15956)	31777 (23437)	41921 (30919)	52065 (38401)	72352 (53364)	112928 (83291)								
LPS-40A-985X-FC4-1	start	59404 (43814)		27831 (20527)	39682 (29268)	51534 (38009)	63385 (46750)	75237 (55492)	87088 (64233)	98940 (72974)	122643 (90457)			8,1 (117)	150000 (110634)	428 (26118)				
	run	27610 (20364)		5728 (4225)	15554 (11472)	22461 (16566)	29227 (21557)	35939 (26507)	42626 (31439)	49298 (36360)	62618 (46185)									
	end	41469 (30586)		5728 (4225)	18294 (13493)	30860 (22761)	43425 (32029)	55991 (41297)	68557 (50565)	81123 (59833)	106254 (78369)									
LPS-40A-1050X-FC4-2	start	65576 (48366)		33036 (24366)	46504 (34300)	59971 (44232)	73438 (54165)	86906 (64098)	100373 (74031)	113840 (83964)				7,3 (106)	150000 (110634)	486,4 (29682)				
	run	30476 (22478)		8767 (6466)	18764 (13840)	26560 (19590)	34228 (25245)	41846 (30864)	49438 (36464)	57014 (42051)										
	end	45768 (33757)		8767 (6466)	23046 (16998)	37325 (27529)	51604 (38061)	65883 (48593)	80162 (59124)	94441 (69656)										
LPS-40A-1200X-FC4-2	start	65567 (48360)	40174 (29631)	57764 (42604)	75354 (55578)	92944 (68552)	110534 (81526)	128124 (94499)						5,6 (81)	150000 (110634)	635,3 (38768)				
	run	30472 (22475)	14975 (11045)	25294 (18656)	35314 (26046)	45254 (33378)	55156 (40681)	65041 (47972)												
	end	45760 (33751)	16335 (12048)	34985 (25804)	53635 (39559)	72285 (53315)	90935 (67070)	109585 (80826)												

Actuator Model	METRIC/IMPERIAL TORQUE TABLE																
	Spring Torque	barg (PSIG)	barg (PSIG)	barg (PSIG)	barg (PSIG)	barg (PSIG)	barg (PSIG)	barg (PSIG)	barg (PSIG)	barg (PSIG)	barg (PSIG)	barg (PSIG)	barg (PSIG)	barg (PSIG)	Max Operating Pressure	Max Operating Torque	Swept Volume*
		2.5 (36)	3 (44)	3.5 (51)	4 (58)	4.5 (65)	5 (73)	5.5 (80)	6 (87)	7 (102)	9 (131)	10 (145)	12 (174)				
		Output Torque Nm (ft-lb) @ supply pressure barg (PSIG)															
Nm (ft-lb)	Nm (ft-lb)	Nm (ft-lb)	Nm (ft-lb)	Nm (ft-lb)	Nm (ft-lb)	Nm (ft-lb)	Nm (ft-lb)	Nm (ft-lb)	Nm (ft-lb)	Nm (ft-lb)	Nm (ft-lb)	Nm (ft-lb)	Nm (ft-lb)	barg (PSIG)	Nm (ft-lb)	L (cu in)	
LPS-40A-835X-FC4-2	start	65585 (48373)					28893 (21310)	37410 (27592)	45927 (33874)	54444 (40156)	71477 (52719)	105544 (77845)	122578 (90409)	11,6 (168)	150000 (110634)	307,6 (18771)	
	run	30482 (22482)					4374 (3226)	13247 (9770)	18425 (13590)	23384 (17247)	33117 (24426)	52351 (38612)	61925 (45673)				
	end	45779 (33765)					4374 (3226)	13405 (9887)	22435 (16547)	31465 (23207)	49525 (36528)	85645 (63168)	103705 (76489)				
LPS-40A-885X-FC4-2	start	65583 (48371)				28779 (21226)	38346 (28283)	47913 (35339)	57480 (42395)	67048 (49452)	86182 (63564)	124452 (91791)		10,3 (149)	150000 (110634)	345,5 (21084)	
	run	30481 (22482)				4253 (3137)	13841 (10209)	19592 (14450)	25131 (18536)	30598 (22568)	41438 (30563)	62977 (46449)					
	end	45777 (33763)				4253 (3137)	14397 (10619)	24541 (18100)	34684 (25582)	44828 (33063)	65116 (48027)	105692 (77954)					
LPS-40A-985X-FC4-2	start	65579 (48369)			35196 (25959)	47048 (34701)	58900 (43442)	70751 (52183)	82603 (60925)	94454 (69666)	118157 (87148)			8,3 (120)	150000 (110634)	428 (26118)	
	run	30478 (22479)			11058 (8156)	19084 (14076)	25946 (19137)	32704 (24121)	39416 (29072)	46104 (34005)	59440 (43841)						
	end	45772 (33760)			11058 (8156)	23623 (17423)	36189 (26692)	48755 (35960)	61321 (45228)	73887 (54496)	99018 (73032)						
LPS-40A-1050X-FC4-4	start	75055 (55358)			39775 (29336)	53242 (39269)	66710 (49203)	80177 (59135)	93644 (69068)	107112 (79002)	134046 (98867)			7,5 (109)	150000 (110634)	486,4 (29682)	
	run	34837 (25694)			11937 (8804)	21428 (15804)	29239 (21566)	36925 (27234)	44557 (32864)	52159 (38470)	67316 (49650)						
	end	52223 (38518)			11937 (8804)	26216 (19336)	40495 (29868)	54774 (40399)	69053 (50931)	83332 (61462)	111890 (82526)						
LPS-40A-1200X-FC4-4	start	75047 (55352)	33446 (24668)	51036 (37642)	68625 (50615)	86215 (63589)	103805 (76563)	121395 (89536)						5,8 (84)	150000 (110634)	635,3 (38768)	
	run	34832 (25691)	5226 (3854)	20123 (14842)	30338 (22376)	40351 (29761)	50296 (37096)	60204 (44404)									
	end	52214 (38511)	5226 (3854)	23876 (17610)	42526 (31366)	61176 (45121)	79826 (58877)	98477 (72633)									
LPS-40A-835X-FC4-4	start	75065 (55365)							39198 (28911)	47715 (35193)	64749 (47756)	98816 (72883)	115849 (85446)	12 (174)	150000 (110634)	307,6 (18771)	
	run	34842 (25698)							11326 (8354)	18132 (13373)	28114 (20736)	47478 (35018)	57081 (42101)				
	end	52234 (38526)							11326 (8354)	20356 (15014)	38416 (28334)	74536 (54975)	92596 (68295)				
LPS-40A-885X-FC4-4	start	75063 (55364)					31617 (23319)	41185 (30376)	50752 (37433)	60319 (44489)	79454 (58602)	117723 (86828)		10,6 (154)	150000 (110634)	345,5 (21084)	
	run	34841 (25697)					3288 (2425)	13432 (9907)	19954 (14717)	25557 (18850)	36514 (26931)	58136 (42879)					
	end	52231 (38524)					3288 (2425)	13432 (9907)	23576 (17389)	33720 (24871)	54007 (39833)	94583 (69761)					
LPS-40A-985X-FC4-4	start	75058 (55360)				40320 (29738)	52171 (38479)	64023 (47221)	75874 (55962)	87726 (64703)	111429 (82186)			8,6 (125)	150000 (110634)	428 (26118)	
	run	34838 (25695)				12514 (9230)	20795 (15338)	27695 (20427)	34478 (25430)	41206 (30392)	54591 (40264)						
	end	52226 (38520)				12514 (9230)	25080 (18498)	37646 (27766)	50212 (37034)	62778 (46303)	87909 (64838)						

Actuator Model	METRIC/IMPERIAL TORQUE TABLE																
	Spring Torque	barg (PSIG)	barg (PSIG)	barg (PSIG)	barg (PSIG)	barg (PSIG)	barg (PSIG)	barg (PSIG)	barg (PSIG)	barg (PSIG)	barg (PSIG)	barg (PSIG)	barg (PSIG)	barg (PSIG)	Max Operating Pressure	Max Operating Torque	Swept Volume*
		2.5 (36)	3 (44)	3.5 (51)	4 (58)	4.5 (65)	5 (73)	5.5 (80)	6 (87)	7 (102)	9 (131)	10 (145)	12 (174)				
		Output Torque Nm (ft-lb) @ supply pressure barg (PSIG)															
Nm (ft-lb)	Nm (ft-lb)	Nm (ft-lb)	Nm (ft-lb)	Nm (ft-lb)	Nm (ft-lb)	Nm (ft-lb)	Nm (ft-lb)	Nm (ft-lb)	Nm (ft-lb)	Nm (ft-lb)	Nm (ft-lb)	Nm (ft-lb)	Nm (ft-lb)	barg (PSIG)	Nm (ft-lb)	L (cu in)	
LPS-40A-1050X-FC5-3	start	92159 (67973)				37543 (27690)	51010 (37623)	64477 (47556)	77944 (57488)	91412 (67422)	118346 (87287)				8,1 (117)	150000 (110634)	486,4 (29682)
	run	43664 (32205)				6173 (4553)	18908 (13946)	26909 (19847)	34667 (25569)	42340 (31228)	57569 (42461)						
	end	67284 (49626)				6173 (4553)	20452 (15085)	34731 (25616)	49010 (36148)	63289 (46679)	91847 (67743)						
LPS-40A-1200X-FC5-3	start	92150 (67966)		35336 (26062)	52926 (39036)	70516 (52010)	88106 (64984)	105695 (77957)	123285 (90930)						6,2 (90)	150000 (110634)	635,3 (38768)
	run	43659 (32201)		3833 (2827)	20077 (14808)	30403 (22424)	40459 (29841)	50427 (37193)	60351 (44513)								
	end	67275 (49619)		3833 (2827)	22483 (16583)	41133 (30338)	59783 (44094)	78433 (57849)	97083 (71605)								
LPS-40A-835X-FC5-3	start	92169 (67980)									49049 (36177)	83116 (61303)	100150 (73867)	134217 (98993)	12 (174)	150000 (110634)	307,6 (18771)
	run	43669 (32209)									17688 (13046)	37621 (27748)	47291 (34880)	66508 (49054)			
	end	67294 (49633)									18373 (13551)	54493 (40192)	72553 (53512)	108673 (80153)			
LPS-40A-885X-FC5-3	start	92166 (67978)							35052 (25853)	44619 (32909)	63754 (47022)	102023 (75248)	121158 (89361)	11,5 (167)	150000 (110634)	345,5 (21084)	
	run	43668 (32208)							3532 (2605)	13676 (10087)	26488 (19537)	48353 (35663)	59152 (43628)				
	end	67292 (49632)							3532 (2605)	13676 (10087)	33964 (25051)	74540 (54978)	94827 (69941)				
LPS-40A-985X-FC5-3	start	92162 (67975)					36471 (26900)	48323 (35641)	60174 (44382)	72026 (53124)	95729 (70606)			9,2 (133)	150000 (110634)	428 (26118)	
	run	43666 (32206)					5037 (3715)	17228 (12707)	24394 (17992)	31273 (23066)	44786 (33032)						
	end	67287 (49628)					5037 (3715)	17603 (12983)	30169 (22251)	42734 (31519)	67866 (50055)						
LPS-40C-1050X-FC3-3	start	38466 (28371)	50300 (37099)	70727 (52165)	91154 (67232)	111580 (82297)	132007 (97363)							4,9 (71)	150000 (110634)	487,9 (29773)	
	run	22666 (16718)	11535 (8508)	19319 (14249)	26927 (19860)	34489 (25438)	42028 (30998)										
	end	50167 (37001)	12344 (9104)	23324 (17203)	34305 (25302)	45286 (33401)	56267 (41500)										
LPS-40C-1200X-FC3-3	start	38459 (28366)	81553 (60150)	108233 (79828)	134913 (99507)									3,7 (54)	150000 (110634)	637,3 (38890)	
	run	22661 (16714)	23360 (17229)	33251 (24525)	43100 (31789)												
	end	50154 (36992)	29144 (21495)	43487 (32074)	57829 (42652)												
LPS-40C-835X-FC3-3	start	38474 (28377)			38607 (28475)	51525 (38003)	64443 (47531)	77361 (57058)	90279 (66586)	103197 (76114)	129033 (95170)			7,8 (113)	150000 (110634)	308,6 (18832)	
	run	22672 (16722)			6058 (4468)	12015 (8862)	16956 (12506)	21799 (16078)	26602 (19621)	31388 (23151)	40930 (30188)						
	end	50184 (37014)			6058 (4468)	13002 (9590)	19946 (14711)	26891 (19834)	33835 (24955)	40779 (30077)	54668 (40321)						

Actuator Model	METRIC/IMPERIAL TORQUE TABLE																			
	Spring Torque	barg (PSIG)	barg (PSIG)	barg (PSIG)	barg (PSIG)	barg (PSIG)	barg (PSIG)	barg (PSIG)	barg (PSIG)	barg (PSIG)	barg (PSIG)	barg (PSIG)	barg (PSIG)	barg (PSIG)	Max Operating Pressure	Max Operating Torque	Swept Volume*			
		2.5 (36)	3 (44)	3.5 (51)	4 (58)	4.5 (65)	5 (73)	5.5 (80)	6 (87)	7 (102)	9 (131)	10 (145)	12 (174)							
		Output Torque Nm (ft-lb) @ supply pressure barg (PSIG)																		
Nm (ft-lb)	Nm (ft-lb)	Nm (ft-lb)	Nm (ft-lb)	Nm (ft-lb)	Nm (ft-lb)	Nm (ft-lb)	Nm (ft-lb)	Nm (ft-lb)	Nm (ft-lb)	Nm (ft-lb)	Nm (ft-lb)	Nm (ft-lb)	Nm (ft-lb)	barg (PSIG)	Nm (ft-lb)	L (cu in)				
LPS-40C-885X-FC3-3	start	38472 (28375)		35246 (25996)	49758 (36700)	64269 (47402)	78780 (58105)	93292 (68809)	107803 (79511)	122314 (90214)					6,9 (100)	150000 (110634)	346,6 (21151)			
	run	22670 (16721)		4251 (3135)	11320 (8349)	16890 (12457)	22328 (16468)	27720 (20445)	33092 (24407)	38450 (28359)										
	end	50180 (37011)		4251 (3135)	12052 (8889)	19853 (14643)	27654 (20397)	35455 (26150)	43256 (31904)	51056 (37657)										
LPS-40C-985X-FC3-3	start	38469 (28373)	38052 (28066)	56028 (41324)	74003 (54582)	91979 (67840)	109955 (81099)	127931 (94357)							5,6 (81)	150000 (110634)	429,4 (26204)			
	run	22668 (16719)	5759 (4248)	13757 (10147)	20544 (15152)	27233 (20086)	33888 (24994)	40524 (29889)												
	end	50173 (37006)	5759 (4248)	15422 (11375)	25086 (18502)	34749 (25630)	44413 (32757)	54076 (39884)												
LPS-40C-1050X-FC4-1	start	48437 (35725)		58446 (43107)	78873 (58174)	99300 (73240)	119726 (88305)								5,2 (75)	150000 (110634)	487,9 (29773)			
	run	28382 (20933)		12175 (8980)	20183 (14886)	27860 (20548)	35456 (26151)													
	end	62073 (45783)		12304 (9075)	23285 (17174)	34266 (25273)	45247 (33372)													
LPS-40C-1200X-FC4-1	start	48430 (35720)	69272 (51092)	95952 (70770)	122632 (90449)										4 (58)	150000 (110634)	637,3 (38890)			
	run	28377 (20930)	16506 (12174)	26609 (19626)	36534 (26946)															
	end	62060 (45773)	18124 (13368)	32467 (23946)	46809 (34524)															
LPS-40C-835X-FC4-1	start	48445 (35731)					52162 (38473)	65080 (48000)	77998 (57528)	90916 (67056)	116752 (86112)				8,2 (119)	150000 (110634)	308,6 (18832)			
	run	28388 (20938)					8926 (6583)	14868 (10966)	19851 (14641)	24724 (18235)	34352 (25337)									
	end	62090 (45795)					8926 (6583)	15871 (11706)	22815 (16827)	29759 (21949)	43648 (32193)									
LPS-40C-885X-FC4-1	start	48443 (35730)				51988 (38344)	66499 (49047)	81011 (59751)	95522 (70453)	110033 (81156)					7,3 (106)	150000 (110634)	346,6 (21151)			
	run	28386 (20936)				8833 (6515)	15425 (11377)	20994 (15484)	26448 (19507)	31858 (23497)										
	end	62086 (45792)				8833 (6515)	16634 (12269)	24435 (18022)	32236 (23776)	40036 (29529)										
LPS-40C-985X-FC4-1	start	48439 (35727)		43746 (32265)	61722 (45524)	79698 (58782)	97674 (72041)	115650 (85299)	133626 (98557)						5,9 (86)	150000 (110634)	429,4 (26204)			
	run	28384 (20935)		4402 (3247)	13528 (9978)	20496 (15117)	27252 (20100)	33943 (25035)	40604 (29948)											
	end	62079 (45787)		4402 (3247)	14066 (10375)	23729 (17502)	33393 (24629)	43056 (31756)	52720 (38884)											
LPS-40C-1050X-FC4-2	start	53472 (39439)		51802 (38207)	72229 (53273)	92656 (68339)	113082 (83405)	133509 (98471)							5,4 (78)	150000 (110634)	487,9 (29773)			
	run	31331 (23109)		6739 (4970)	16561 (12215)	24390 (17989)	32043 (23634)	39634 (29232)												
	end	68514 (50533)		6739 (4970)	17720 (13070)	28701 (21169)	39682 (29268)	50663 (37367)												

Limitorque™ LPS Series Actuator

Actuator Model	METRIC/IMPERIAL TORQUE TABLE															Max Operating Pressure	Max Operating Torque	Swept Volume*					
	Spring Torque	barg (PSIG)	barg (PSIG)	barg (PSIG)	barg (PSIG)	barg (PSIG)	barg (PSIG)	barg (PSIG)	barg (PSIG)	barg (PSIG)	barg (PSIG)	barg (PSIG)	barg (PSIG)	barg (PSIG)	barg (PSIG)								
		2.5 (36)	3 (44)	3.5 (51)	4 (58)	4.5 (65)	5 (73)	5.5 (80)	6 (87)	7 (102)	9 (131)	10 (145)	12 (174)	Output Torque Nm (ft-lb) @ supply pressure barg (PSIG)									
		Nm (ft-lb)	Nm (ft-lb)	Nm (ft-lb)	Nm (ft-lb)	Nm (ft-lb)	Nm (ft-lb)	Nm (ft-lb)	Nm (ft-lb)	Nm (ft-lb)	Nm (ft-lb)	Nm (ft-lb)	Nm (ft-lb)	Nm (ft-lb)	Nm (ft-lb)				barg (PSIG)	Nm (ft-lb)	L (cu in)		
LPS-40C-1200X-FC4-2	start	53465 (39434)	62628 (46192)	89308 (65870)	115988 (85548)													4,1 (59)	150000 (110634)	637,3 (38890)			
	run	31326 (23105)	12559 (9263)	23126 (17057)	33125 (24432)																		
	end	68501 (50524)	12559 (9263)	26902 (19842)	41244 (30420)																		
LPS-40C-835X-FC4-2	start	53480 (39445)					45518 (33572)	58436 (43100)	71354 (52628)	84272 (62156)	110108 (81211)							8,5 (123)	150000 (110634)	308,6 (18832)			
	run	31336 (23112)					3361 (2479)	10306 (7601)	16215 (11960)	21213 (15646)	30935 (22816)												
	end	68530 (50545)					3361 (2479)	10306 (7601)	17250 (12723)	24194 (17845)	38083 (28089)												
LPS-40C-885X-FC4-2	start	53478 (39443)				45344 (33444)	59856 (44147)	74367 (54850)	88878 (65553)	103390 (76256)	132412 (97662)							7,6 (110)	150000 (110634)	346,6 (21151)			
	run	31335 (23111)				3268 (2410)	11068 (8163)	17399 (12833)	22963 (16937)	28424 (20964)	39227 (28932)												
	end	68527 (50543)				3268 (2410)	11068 (8163)	18870 (13918)	26670 (19671)	34471 (25424)	50073 (36932)												
LPS-40C-985X-FC4-2	start	53474 (39440)			55079 (40624)	73055 (53883)	91031 (67141)	109007 (80399)	126983 (93658)									6,1 (88)	150000 (110634)	429,4 (26204)			
	run	31333 (23110)			8501 (6270)	16885 (12454)	23777 (17537)	30523 (22513)	37213 (27447)														
	end	68520 (50538)			8501 (6270)	18164 (13397)	27828 (20525)	37491 (27652)	47154 (34779)														
LPS-40C-1050X-FC4-4	start	61202 (45140)			62280 (45935)	82707 (61001)	103133 (76067)	123560 (91133)										5,6 (81)	150000 (110634)	487,9 (29773)			
	run	35822 (26421)			9177 (6769)	18888 (13931)	26743 (19725)	34416 (25384)															
	end	78160 (57648)			9177 (6769)	20158 (14868)	31139 (22967)	42120 (31066)															
LPS-40C-1200X-FC4-4	start	61195 (45135)	52679 (38854)	79359 (58532)	106039 (78210)	132719 (97888)												4,3 (62)	150000 (110634)	637,3 (38890)			
	run	35818 (26418)	4016 (2962)	17556 (12949)	27840 (20534)	37832 (27903)																	
	end	78146 (57637)	4016 (2962)	18358 (13540)	32700 (24118)	47043 (34697)																	
LPS-40C-835X-FC4-4	start	61210 (45146)							61405 (45290)	74323 (54818)	100159 (73873)						8,9 (129)	150000 (110634)	308,6 (18832)				
	run	35828 (26425)							8706 (6421)	15486 (11422)	25615 (18893)												
	end	78176 (57660)							8706 (6421)	15651 (11544)	29540 (21788)												
LPS-40C-885X-FC4-4	start	61208 (45145)							64418 (47512)	78929 (58215)	93440 (68918)	122463 (90324)					7,9 (115)	150000 (110634)	346,6 (21151)				
	run	35827 (26425)							10326 (7616)	17382 (12820)	23053 (17003)	34006 (25081)											
	end	78173 (57657)							10326 (7616)	18127 (13370)	25928 (19123)	41530 (30631)											

Actuator Model	METRIC/IMPERIAL TORQUE TABLE																			
	Spring Torque	barg (PSIG)	barg (PSIG)	barg (PSIG)	barg (PSIG)	barg (PSIG)	barg (PSIG)	barg (PSIG)	barg (PSIG)	barg (PSIG)	barg (PSIG)	barg (PSIG)	barg (PSIG)	barg (PSIG)	Max Operating Pressure	Max Operating Torque	Swept Volume*			
		2.5 (36)	3 (44)	3.5 (51)	4 (58)	4.5 (65)	5 (73)	5.5 (80)	6 (87)	7 (102)	9 (131)	10 (145)	12 (174)							
		Output Torque Nm (ft-lb) @ supply pressure barg (PSIG)																		
Nm (ft-lb)	Nm (ft-lb)	Nm (ft-lb)	Nm (ft-lb)	Nm (ft-lb)	Nm (ft-lb)	Nm (ft-lb)	Nm (ft-lb)	Nm (ft-lb)	Nm (ft-lb)	Nm (ft-lb)	Nm (ft-lb)	Nm (ft-lb)	Nm (ft-lb)	barg (PSIG)	Nm (ft-lb)	L (cu in)				
LPS-40C-985X-FC4-4	start	61204 (45142)			63106 (46545)	81082 (59803)	99058 (73061)	117034 (86320)							6,4 (93)	150000 (110634)	429,4 (26204)			
	run	35824 (26422)			9621 (7096)	18244 (13456)	25197 (18584)	31975 (23584)												
	end	78165 (57651)			9621 (7096)	19284 (14223)	28948 (21351)	38611 (28478)												
LPS-40C-1050X-FC5-3	start	75140 (55420)			59128 (43611)	79555 (58677)	99981 (73742)	120408 (88808)							6,2 (90)	150000 (110634)	487,9 (29773)			
	run	44708 (32975)			4752 (3505)	15733 (11604)	24121 (17791)	31894 (23524)												
	end	101019 (74508)			4752 (3505)	15733 (11604)	26714 (19703)	37694 (27802)												
LPS-40C-1200X-FC5-3	start	75134 (55416)		82460 (60819)	109140 (80497)										4,7 (68)	150000 (110634)	637,3 (38890)			
	run	44703 (32971)		17135 (12638)	27630 (20379)															
	end	101005 (74497)		17294 (12755)	31637 (23334)															
LPS-40C-835X-FC5-3	start	75148 (55426)									76580 (56482)	128252 (94594)			9,8 (142)	150000 (110634)	308,6 (18832)			
	run	44713 (32979)									14134 (10425)	34842 (25698)								
	end	101035 (74519)									14134 (10425)	41911 (30912)								
LPS-40C-885X-FC5-3	start	75147 (55425)								69862 (51527)	98884 (72933)			8,7 (126)	150000 (110634)	346,6 (21151)				
	run	44712 (32978)								10522 (7761)	23697 (17478)									
	end	101031 (74517)								10522 (7761)	26124 (19268)									
LPS-40C-985X-FC5-3	start	75143 (55423)				57503 (42412)	75479 (55670)	93455 (68929)	111431 (82187)						7 (102)	150000 (110634)	429,4 (26204)			
	run	44709 (32976)				3878 (2860)	13542 (9988)	21582 (15918)	28500 (21020)											
	end	101024 (74511)				3878 (2860)	13542 (9988)	23205 (17115)	32868 (24242)											
LPS-50A-1050X-FC1-4	start	92924 (68537)			57219 (42203)	73896 (54503)	90573 (66803)	107250 (79103)	123926 (91403)	140603 (103703)	173957 (128304)	240664 (177504)			10,7 (155)	300000 (221269)	617,2 (37664)			
	run	40914 (30177)			14803 (10918)	28419 (20961)	38230 (28197)	47822 (35272)	57322 (42278)	66771 (49248)	85586 (63125)	123089 (90786)								
	end	57028 (42062)			14803 (10918)	32485 (23960)	50167 (37001)	67849 (50043)	85531 (63084)	103213 (76126)	138576 (102208)	209304 (154374)								
LPS-50A-1200X-FC1-4	start	92914 (68530)	49381 (36421)	71163 (52487)	92945 (68553)	114727 (84618)	136509 (100684)	158291 (116749)	180073 (132815)	201855 (148880)	245418 (181011)				8,2 (119)	300000 (221269)	806,1 (49191)			
	run	40908 (30172)	6493 (4789)	26766 (19742)	39604 (29210)	52090 (38420)	64454 (47539)	76761 (56616)	89030 (65665)	101280 (74700)	125761 (92756)									
	end	57017 (42054)	6493 (4789)	29588 (21823)	52682 (38856)	75777 (55890)	98872 (72924)	121966 (89957)	145061 (106991)	168156 (124025)	214345 (158093)									

Actuator Model	METRIC/IMPERIAL TORQUE TABLE																
	Spring Torque	barg (PSIG)	barg (PSIG)	barg (PSIG)	barg (PSIG)	barg (PSIG)	barg (PSIG)	barg (PSIG)	barg (PSIG)	barg (PSIG)	barg (PSIG)	barg (PSIG)	barg (PSIG)	barg (PSIG)	Max Operating Pressure	Max Operating Torque	Swept Volume*
		2.5 (36)	3 (44)	3.5 (51)	4 (58)	4.5 (65)	5 (73)	5.5 (80)	6 (87)	7 (102)	9 (131)	10 (145)	12 (174)				
		Output Torque Nm (ft-lb) @ supply pressure barg (PSIG)															
Nm (ft-lb)	Nm (ft-lb)	Nm (ft-lb)	Nm (ft-lb)	Nm (ft-lb)	Nm (ft-lb)	Nm (ft-lb)	Nm (ft-lb)	Nm (ft-lb)	Nm (ft-lb)	Nm (ft-lb)	Nm (ft-lb)	Nm (ft-lb)	Nm (ft-lb)	barg (PSIG)	Nm (ft-lb)	L (cu in)	
LPS-50A-1300X-FC1-4	start	92906 (68524)	68282 (50362)	93845 (69216)	119409 (88071)	144972 (106926)	170536 (125781)	196099 (144635)	221662 (163489)	247226 (182344)					7 (102)	300000 (221269)	946 (57728)
	run	40904 (30169)	24993 (18434)	40124 (29594)	54753 (40384)	69239 (51068)	83659 (61704)	98045 (72314)	112411 (82910)	126776 (93505)							
	end	57009 (42048)	26532 (19569)	53636 (39560)	80741 (59551)	107845 (79542)	134949 (99533)	162053 (119524)	189157 (139515)	216261 (159506)							
LPS-50A-1400X-FC1-4	start	92898 (68518)	88694 (65417)	118342 (87284)	147989 (109151)	177637 (131018)	207284 (152885)	236932 (174752)	266580 (196619)					6 (87)	300000 (221269)	1097,2 (66955)	
	run	40899 (30166)	37140 (27393)	54146 (39936)	70943 (52325)	87658 (64653)	104331 (76950)	120992 (89239)	137652 (101527)								
	end	57000 (42041)	48175 (35532)	79609 (58716)	111044 (81902)	142478 (105086)	173912 (128271)	205347 (151456)	236781 (174640)								
LPS-50A-1500X-FC1-4	start	92889 (68511)	110618 (81588)	144653 (106690)	178687 (131793)	212721 (156895)	246755 (181997)							5,2 (75)	300000 (221269)	1259,5 (76859)	
	run	40894 (30162)	49746 (36691)	69058 (50934)	88250 (65090)	107386 (79204)	126512 (93310)										
	end	56991 (42034)	71421 (52677)	107506 (79292)	143591 (105907)	179677 (132523)	215762 (159138)										
LPS-50A-1050X-FC2-2	start	132429 (97674)						78653 (58011)	95330 (70312)	112006 (82611)	145360 (107212)	212067 (156412)	245420 (181012)	11,6 (168)	300000 (221269)	617,2 (37664)	
	run	59249 (43700)						21554 (15897)	35709 (26338)	45654 (33673)	64910 (47875)	102731 (75770)	121520 (89628)				
	end	84460 (62294)						21554 (15897)	39236 (28939)	56918 (41980)	92281 (68063)	163009 (120229)	198372 (146311)				
LPS-50A-1200X-FC2-2	start	132419 (97667)			64348 (47461)	86130 (63526)	107912 (79592)	129694 (95657)	151476 (111723)	173258 (127788)	216822 (159919)			8,9 (129)	300000 (221269)	806,1 (49191)	
	run	59243 (43695)			6387 (4711)	29482 (21745)	43246 (31897)	55923 (41247)	68403 (50451)	80785 (59584)	105412 (77748)						
	end	84450 (62287)			6387 (4711)	29482 (21745)	52576 (38778)	75671 (55812)	98766 (72846)	121860 (89879)	168050 (123947)						
LPS-50A-1300X-FC2-2	start	132411 (97661)		65248 (48124)	90812 (66979)	116375 (85834)	141939 (104689)	167502 (123543)	193066 (142398)	218629 (161252)	269756 (198962)			7,5 (109)	300000 (221269)	946 (57728)	
	run	59239 (43692)		7341 (5414)	32916 (24278)	48207 (35556)	62956 (46434)	77522 (57177)	91999 (67855)	106430 (78499)	135204 (99721)						
	end	84442 (62281)		7341 (5414)	34446 (25406)	61550 (45397)	88654 (65388)	115758 (85379)	142862 (105369)	169966 (125360)	224175 (165343)						
LPS-50A-1400X-FC2-2	start	132403 (97655)		89745 (66192)	119392 (88059)	149040 (109926)	178688 (131793)	208335 (153660)	237983 (175527)	267630 (197393)				6,5 (94)	300000 (221269)	1097,2 (66955)	
	run	59234 (43689)		32244 (23782)	49964 (36851)	67012 (49425)	83862 (61853)	100623 (74216)	117331 (86539)	134009 (98840)							
	end	84433 (62274)		33314 (24571)	64749 (47756)	96183 (70941)	127618 (94126)	159052 (117311)	190486 (140495)	221921 (163680)							
LPS-50A-1500X-FC2-2	start	132394 (97649)	82022 (60496)	116056 (85598)	150090 (110701)	184124 (135803)	218158 (160905)	252193 (186008)						5,7 (83)	300000 (221269)	1259,5 (76859)	
	run	59229 (43685)	25126 (18532)	48021 (35418)	67611 (49867)	86942 (64125)	106165 (78303)	125334 (92441)									
	end	84424 (62268)	25126 (18532)	61211 (45147)	97296 (71762)	133382 (98377)	169467 (124992)	205553 (151608)									

Actuator Model	METRIC/IMPERIAL TORQUE TABLE																
	Spring Torque	barg (PSIG)	barg (PSIG)	barg (PSIG)	barg (PSIG)	barg (PSIG)	barg (PSIG)	barg (PSIG)	barg (PSIG)	barg (PSIG)	barg (PSIG)	barg (PSIG)	barg (PSIG)	barg (PSIG)	Max Operating Pressure	Max Operating Torque	Swept Volume*
		2.5 (36)	3 (44)	3.5 (51)	4 (58)	4.5 (65)	5 (73)	5.5 (80)	6 (87)	7 (102)	9 (131)	10 (145)	12 (174)				
		Output Torque Nm (ft-lb) @ supply pressure barg (PSIG)															
Nm (ft-lb)	Nm (ft-lb)	Nm (ft-lb)	Nm (ft-lb)	Nm (ft-lb)	Nm (ft-lb)	Nm (ft-lb)	Nm (ft-lb)	Nm (ft-lb)	Nm (ft-lb)	Nm (ft-lb)	Nm (ft-lb)	Nm (ft-lb)	Nm (ft-lb)	barg (PSIG)	Nm (ft-lb)	L (cu in)	
LPS-50A-1050X-FC3-1	start	127044 (93703)					67928 (50101)	84604 (62401)	101281 (74701)	117958 (87001)	151311 (111601)	218018 (160802)	251372 (185402)	11,4 (165)	300000 (221269)	617,2 (37664)	
	run	56171 (41430)					10182 (7510)	27864 (20551)	39307 (28991)	49131 (36237)	68309 (50382)	106086 (78245)	124872 (92101)				
	end	78751 (58084)					10182 (7510)	27864 (20551)	45546 (33593)	63228 (46635)	98591 (72717)	169319 (124883)	204682 (150965)				
LPS-50A-1200X-FC3-1	start	127034 (93695)			70300 (51851)	92082 (67916)	113864 (83982)	135645 (100046)	157427 (116112)	179209 (132178)	222773 (164309)			8,7 (126)	300000 (221269)	806,1 (49191)	
	run	56165 (41425)			12697 (9365)	33709 (24862)	46741 (34474)	59345 (43771)	71792 (52951)	84157 (62071)	108764 (80220)						
	end	78740 (58076)			12697 (9365)	35792 (26399)	58887 (43433)	81981 (60466)	105076 (77500)	128171 (94534)	174360 (128601)						
LPS-50A-1300X-FC3-1	start	127027 (93690)		71200 (52514)	96763 (71369)	122327 (90224)	147890 (109078)	173454 (127933)	199017 (146787)	224580 (165641)				7,4 (107)	300000 (221269)	946 (57728)	
	run	56161 (41422)		13652 (10069)	36582 (26981)	51666 (38107)	66355 (48941)	80896 (59666)	95360 (70334)	109782 (80971)							
	end	78732 (58070)		13652 (10069)	40756 (30060)	67860 (50051)	94964 (70042)	122068 (90033)	149172 (110023)	176276 (130014)							
LPS-50A-1400X-FC3-1	start	127018 (93684)	66049 (48715)	95696 (70582)	125344 (92449)	154991 (114315)	184639 (136183)	214286 (158049)	243934 (179916)					6,4 (93)	300000 (221269)	1097,2 (66955)	
	run	56156 (41418)	8190 (6041)	35933 (26503)	53414 (39396)	70407 (51929)	87234 (64340)	103984 (76695)	120683 (89011)								
	end	78724 (58064)	8190 (6041)	39624 (29225)	71059 (52410)	102493 (75595)	133928 (98780)	165362 (121965)	196796 (145149)								
LPS-50A-1500X-FC3-1	start	127010 (93678)	87973 (64885)	122007 (89988)	156041 (115090)	190076 (140193)	224110 (165295)	258144 (190397)						5,6 (81)	300000 (221269)	1259,5 (76859)	
	run	56151 (41415)	31115 (22949)	51481 (37970)	71004 (52370)	90310 (66609)	109517 (80775)	128678 (94908)									
	end	78714 (58056)	31436 (23186)	67521 (49801)	103606 (76416)	139692 (103031)	175777 (129646)	211863 (156262)									
LPS-50A-1050X-FC3-3	start	176224 (129976)									116396 (85849)	183103 (135050)	216457 (159650)	12 (174)	300000 (221269)	617,2 (37664)	
	run	78800 (58120)									40905 (30170)	80414 (59310)	99450 (73350)				
	end	112245 (82788)									40959 (30210)	111686 (82375)	147050 (108458)				
LPS-50A-1200X-FC3-3	start	176214 (129969)									100730 (74295)	122512 (90360)	144294 (106426)	187858 (138557)	9,5 (138)	300000 (221269)	806,1 (49191)
	run	78795 (58116)									24349 (17959)	44781 (33029)	57905 (42708)	83143 (61323)			
	end	112234 (82779)									24349 (17959)	47443 (34992)	70538 (52026)	116727 (86093)			
LPS-50A-1300X-FC3-3	start	176206 (129963)				87412 (64472)	112975 (83326)	138538 (102180)	164102 (121035)	189665 (139890)	240792 (177599)			8,1 (117)	300000 (221269)	946 (57728)	
	run	78790 (58112)				10227 (7543)	37331 (27534)	54495 (40193)	69468 (51237)	84177 (62086)	113256 (83533)						
	end	112226 (82774)				10227 (7543)	37331 (27534)	64436 (47525)	91540 (67516)	118644 (87507)	172852 (127489)						

Actuator Model	METRIC/IMPERIAL TORQUE TABLE																			
	Spring Torque	barg (PSIG)	barg (PSIG)	barg (PSIG)	barg (PSIG)	barg (PSIG)	barg (PSIG)	barg (PSIG)	barg (PSIG)	barg (PSIG)	barg (PSIG)	barg (PSIG)	barg (PSIG)	barg (PSIG)	Max Operating Pressure	Max Operating Torque	Swept Volume*			
		2.5 (36)	3 (44)	3.5 (51)	4 (58)	4.5 (65)	5 (73)	5.5 (80)	6 (87)	7 (102)	9 (131)	10 (145)	12 (174)							
		Output Torque Nm (ft-lb) @ supply pressure barg (PSIG)																		
Nm (ft-lb)	Nm (ft-lb)	Nm (ft-lb)	Nm (ft-lb)	Nm (ft-lb)	Nm (ft-lb)	Nm (ft-lb)	Nm (ft-lb)	Nm (ft-lb)	Nm (ft-lb)	Nm (ft-lb)	Nm (ft-lb)	Nm (ft-lb)	Nm (ft-lb)	barg (PSIG)	Nm (ft-lb)	L (cu in)				
LPS-50A-1400X-FC3-3	start	176198 (129957)			90429 (66697)	120076 (88563)	149724 (110431)	179371 (132297)	209019 (154164)	238666 (176031)					7 (102)	300000 (221269)	1097,2 (66955)			
	run	78786 (58109)			13426 (9902)	43255 (31903)	61096 (45062)	78273 (57731)	95220 (70231)	112052 (82645)										
	end	112218 (82768)			13426 (9902)	44861 (33088)	76295 (56272)	107729 (79457)	139164 (102642)	170598 (125826)										
LPS-50A-1500X-FC3-3	start	176189 (129950)		87092 (64236)	121126 (89338)	155160 (114440)	189195 (139543)	223229 (164645)	257263 (189747)						6,1 (88)	300000 (221269)	1259,5 (76859)			
	run	78781 (58106)		9888 (7293)	43916 (32391)	64273 (47405)	83908 (61887)	103302 (76192)	122576 (90407)											
	end	112208 (82760)		9888 (7293)	45974 (33909)	82059 (60524)	118145 (87139)	154230 (113754)	190316 (140370)											
LPS-50C-1050X-FC1-4	start	75763 (55880)			89767 (66209)	115062 (84865)	140357 (103522)	165651 (122178)	190946 (140834)	216241 (159491)	266830 (196803)				7,6 (110)	300000 (221269)	595,4 (36334)			
	run	42573 (31400)			11390 (8401)	24463 (18043)	34438 (25400)	44041 (32483)	53519 (39474)	62938 (46421)	81681 (60245)									
	end	84528 (62345)			11390 (8401)	24988 (18430)	38586 (28460)	52183 (38488)	65781 (48518)	79379 (58547)	106575 (78606)									
LPS-50C-1200X-FC1-4	start	75755 (55874)		110917 (81808)	143955 (106176)	176993 (130543)	210031 (154911)	243069 (179278)							5,8 (84)	300000 (221269)	777,6 (47452)			
	run	42568 (31396)		22704 (16746)	35817 (26417)	48301 (35625)	60629 (44718)	72890 (53761)												
	end	84511 (62332)		22759 (16786)	40520 (29886)	58280 (42985)	76041 (56085)	93801 (69184)												
LPS-50C-1300X-FC1-4	start	75749 (55870)	106546 (78584)	145320 (107182)	184094 (135781)	222867 (164378)	261641 (192976)								4,9 (71)	300000 (221269)	912,6 (56690)			
	run	42563 (31393)	20410 (15054)	36338 (26801)	50958 (37585)	65397 (48234)	79761 (58829)													
	end	84499 (62323)	20410 (15054)	41254 (30427)	62098 (45801)	82941 (61174)	103785 (76548)													
LPS-50C-1400X-FC1-4	start	75742 (55864)	137507 (101420)	182475 (134586)	227444 (167754)										4,3 (62)	300000 (221269)	1058,4 (64588)			
	run	42559 (31390)	33343 (24592)	50353 (37138)	67095 (49487)															
	end	84485 (62313)	37054 (27330)	61228 (45159)	85401 (62988)															
LPS-50C-1500X-FC1-4	start	75735 (55859)	170761 (125947)	222383 (164021)											3,7 (54)	300000 (221269)	1215 (74144)			
	run	42554 (31386)	45962 (33900)	65217 (48102)																
	end	84471 (62303)	54930 (40514)	82681 (60982)																
LPS-50C-1050X-FC2-2	start	107973 (79637)						123314 (90952)	148609 (109608)	173904 (128265)	224493 (165577)				8,4 (122)	300000 (221269)	595,4 (36334)			
	run	61413 (45296)						16583 (12231)	30181 (22260)	40495 (29868)	59813 (44116)									
	end	125572 (92617)						16583 (12231)	30181 (22260)	43779 (32290)	70975 (52348)									

Actuator Model	METRIC/IMPERIAL TORQUE TABLE																			
	Spring Torque	barg (PSIG)	barg (PSIG)	barg (PSIG)	barg (PSIG)	barg (PSIG)	barg (PSIG)	barg (PSIG)	barg (PSIG)	barg (PSIG)	barg (PSIG)	barg (PSIG)	barg (PSIG)	barg (PSIG)	Max Operating Pressure	Max Operating Torque	Swept Volume*			
		2.5 (36)	3 (44)	3.5 (51)	4 (58)	4.5 (65)	5 (73)	5.5 (80)	6 (87)	7 (102)	9 (131)	10 (145)	12 (174)							
		Output Torque Nm (ft-lb) @ supply pressure barg (PSIG)																		
Nm (ft-lb)	Nm (ft-lb)	Nm (ft-lb)	Nm (ft-lb)	Nm (ft-lb)	Nm (ft-lb)	Nm (ft-lb)	Nm (ft-lb)	Nm (ft-lb)	Nm (ft-lb)	Nm (ft-lb)	Nm (ft-lb)	Nm (ft-lb)	Nm (ft-lb)	barg (PSIG)	Nm (ft-lb)	L (cu in)				
LPS-50C-1200X-FC2-2	start	107964 (79630)			134655 (99316)	167693 (123684)	200731 (148051)	233769 (172419)	266807 (196786)						6,5 (94)	300000 (221269)	777,6 (47452)			
	run	61407 (45291)			22680 (16728)	38051 (28065)	50824 (37486)	63296 (46685)	75649 (55796)											
	end	125556 (92605)			22680 (16728)	40441 (29828)	58201 (42927)	75961 (56026)	93722 (69126)											
LPS-50C-1300X-FC2-2	start	107958 (79626)			141756 (104554)	180530 (133152)	219304 (161750)	258078 (190348)							5,5 (80)	300000 (221269)	912,6 (55690)			
	run	61403 (45288)			26497 (19543)	43074 (31770)	57855 (42672)	72394 (53395)												
	end	125543 (92596)			26497 (19543)	47341 (34917)	68185 (50291)	89029 (65664)												
LPS-50C-1400X-FC2-2	start	107952 (79621)		140138 (103360)	185106 (136527)	230075 (169694)									4,7 (68)	300000 (221269)	1058,4 (64588)			
	run	61399 (45286)		25627 (18901)	44843 (33074)	61909 (45662)														
	end	125530 (92586)		25627 (18901)	49801 (36731)	73975 (54561)														
LPS-50C-1500X-FC2-2	start	107945 (79616)	128424 (94721)	180046 (132795)	231667 (170869)										4,1 (59)	300000 (221269)	1215 (74144)			
	run	61394 (45282)	19330 (14257)	42887 (31632)	62507 (46103)															
	end	125516 (92576)	19330 (14257)	47081 (34725)	74831 (55192)															
LPS-50C-1050X-FC3-1	start	103582 (76398)					107046 (78953)	132341 (97610)	157636 (116266)	182930 (134922)	233520 (172235)				8,3 (120)	300000 (221269)	595,4 (36334)			
	run	58388 (43065)					7838 (5781)	21436 (15810)	34012 (25086)	44002 (32454)	63203 (46616)									
	end	116821 (86163)					7838 (5781)	21436 (15810)	35034 (25840)	48632 (35869)	75827 (55927)									
LPS-50C-1200X-FC3-1	start	103574 (76392)			110644 (81607)	143682 (105974)	176720 (130342)	209758 (154709)	242796 (179077)						6,3 (91)	300000 (221269)	777,6 (47452)			
	run	58382 (43060)			9772 (7207)	27533 (20307)	41594 (30678)	54250 (40013)	66682 (49182)											
	end	116804 (86150)			9772 (7207)	27533 (20307)	45293 (33406)	63054 (46506)	80814 (59605)											
LPS-50C-1300X-FC3-1	start	103568 (76388)		112010 (82614)	150783 (111212)	189557 (139810)	228331 (168408)	267105 (197006)							5,4 (78)	300000 (221269)	912,6 (55690)			
	run	58378 (43057)		10506 (7749)	31147 (22973)	46553 (34336)	61255 (45179)	75760 (55878)												
	end	116792 (86141)		10506 (7749)	31350 (23123)	52194 (38496)	73038 (53870)	93882 (69244)												
LPS-50C-1400X-FC3-1	start	103561 (76383)	104196 (76851)	149165 (110018)	194133 (143185)	239102 (176352)									4,6 (67)	300000 (221269)	1058,4 (64588)			
	run	58373 (43054)	6306 (4651)	30443 (22454)	48307 (35629)	65298 (48161)														
	end	116779 (86132)	6306 (4651)	30480 (22481)	54654 (40311)	78828 (58140)														

Limitorque™ LPS Series Actuator

Actuator Model	METRIC/IMPERIAL TORQUE TABLE																			
	Spring Torque	barg (PSIG)	barg (PSIG)	barg (PSIG)	barg (PSIG)	barg (PSIG)	barg (PSIG)	barg (PSIG)	barg (PSIG)	barg (PSIG)	barg (PSIG)	barg (PSIG)	barg (PSIG)	barg (PSIG)	Max Operating Pressure	Max Operating Torque	Swept Volume*			
		2.5 (36)	3 (44)	3.5 (51)	4 (58)	4.5 (65)	5 (73)	5.5 (80)	6 (87)	7 (102)	9 (131)	10 (145)	12 (174)							
		Output Torque Nm (ft-lb) @ supply pressure barg (PSIG)																		
Nm (ft-lb)	Nm (ft-lb)	Nm (ft-lb)	Nm (ft-lb)	Nm (ft-lb)	Nm (ft-lb)	Nm (ft-lb)	Nm (ft-lb)	Nm (ft-lb)	Nm (ft-lb)	Nm (ft-lb)	Nm (ft-lb)	Nm (ft-lb)	Nm (ft-lb)	barg (PSIG)	Nm (ft-lb)	L (cu in)				
LPS-50C-1500X-FC3-1	start	103554 (76377)	137451 (101378)	189072 (139452)	240694 (177527)										4 (58)	300000 (221269)	1215 (74144)			
	run	58368 (43050)	24183 (17836)	46367 (34198)	65896 (48602)															
	end	116764 (86121)	24183 (17836)	51934 (38304)	79684 (58772)															
LPS-50C-1050X-FC3-3	start	143680 (105973)												181901 (134163)	9,3 (135)	300000 (221269)	595,4 (36334)			
	run	81689 (60251)												31509 (23240)						
	end	166864 (123072)												31509 (23240)						
LPS-50C-1200X-FC3-3	start	143672 (105967)						158139 (116637)	191177 (141005)	224215 (165372)					7,1 (103)	300000 (221269)	777,6 (47452)			
	run	81683 (60246)						18735 (13818)	36496 (26918)	50982 (37602)										
	end	166848 (123061)						18735 (13818)	36496 (26918)	54256 (40017)										
LPS-50C-1300X-FC3-3	start	143666 (105962)				137938 (101738)	176712 (130336)	215485 (158933)	254259 (187532)						6 (87)	300000 (221269)	912,6 (55690)			
	run	81679 (60243)				7876 (5809)	28719 (21182)	47500 (35034)	62653 (46210)											
	end	166835 (123051)				7876 (5809)	28719 (21182)	49563 (36556)	70407 (51929)											
LPS-50C-1400X-FC3-3	start	143659 (105957)			142514 (105113)	187482 (138279)	232451 (171447)								5,2 (75)	300000 (221269)	1058,4 (64588)			
	run	81674 (60240)			10336 (7623)	34510 (25453)	54221 (39991)													
	end	166822 (123041)			10336 (7623)	34510 (25453)	58683 (43282)													
LPS-50C-1500X-FC3-3	start	143652 (105952)	137453 (101380)	189075 (139454)	240697 (177529)										4,5 (65)	300000 (221269)	1215 (74144)			
	run	81669 (60236)	7615 (5617)	35366 (26085)	57429 (42357)															
	end	166808 (123031)	7615 (5617)	35366 (26085)	63116 (46552)															

(*) Note: MAWP (Maximum Allowable Working Pressure) : 12 barg. Actuators with (**) have exceptionally MAWP = 10,5 barg.

LPS Single Acting: FO Performance Tables

Actuator Model	METRIC/IMPERIAL TORQUE TABLE															Max Operating Pressure	Max Operating Torque	Swept Volume*	
	Spring Torque	barg (PSIG)	barg (PSIG)	barg (PSIG)	barg (PSIG)	barg (PSIG)	barg (PSIG)	barg (PSIG)	barg (PSIG)	barg (PSIG)	barg (PSIG)	barg (PSIG)	barg (PSIG)	barg (PSIG)	barg (PSIG)				
		2.5 (36)	3 (44)	3.5 (51)	4 (58)	4.5 (65)	5 (73)	5.5 (80)	6 (87)	7 (102)	9 (131)	10 (145)	12 (174)						
		Output Torque Nm (ft-lb) @ supply pressure barg (PSIG)																	
Nm (ft-lb)	Nm (ft-lb)	Nm (ft-lb)	Nm (ft-lb)	Nm (ft-lb)	Nm (ft-lb)	Nm (ft-lb)	Nm (ft-lb)	Nm (ft-lb)	Nm (ft-lb)	Nm (ft-lb)	Nm (ft-lb)	Nm (ft-lb)	Nm (ft-lb)	Nm (ft-lb)	barg (PSIG)	Nm (ft-lb)	L (cu in)		
LPS-15A-255X-F02-1	start	1149 (847)		662 (488)	909 (670)	1156 (853)	1403 (1035)	1650 (1217)	1897 (1399)	2144 (1581)	2638 (1946)	3626 (2674)	4119 (3038)	5107 (3767)					
	run	525 (387)		208 (153)	373 (275)	516 (381)	656 (484)	796 (587)	935 (690)	1074 (792)	1351 (996)	1906 (1406)	2184 (1611)	2739 (2020)	12 (174)		6000 (4425)	9,2 (561)	
	end	771 (569)		208 (153)	470 (347)	732 (540)	993 (732)	1255 (926)	1517 (1119)	1779 (1312)	2302 (1698)	3350 (2471)	3873 (2857)	4920 (3629)					
LPS-15A-285X-F02-1	start	1147 (846)	721 (532)	1030 (760)	1338 (987)	1646 (1214)	1955 (1442)	2263 (1669)	2572 (1897)	2880 (2124)	3497 (2579)	4731 (3489)	5348 (3944)						
	run	524 (386)	260 (192)	443 (327)	619 (457)	794 (586)	968 (714)	1141 (842)	1314 (969)	1488 (1097)	1834 (1353)	2528 (1865)	2874 (2120)			11 (160)	6000 (4425)	11,4 (696)	
	end	769 (567)	270 (199)	597 (440)	924 (682)	1252 (923)	1578 (1164)	1906 (1406)	2233 (1647)	2560 (1888)	3214 (2371)	4522 (3335)	5176 (3818)						
LPS-15A-300X-F02-1	start	1146 (845)	887 (654)	1229 (906)	1570 (1158)	1912 (1410)	2254 (1662)	2596 (1915)	2937 (2166)	3279 (2418)	3963 (2923)	5330 (3931)							
	run	523 (386)	360 (266)	557 (411)	751 (554)	943 (696)	1136 (838)	1328 (979)	1520 (1121)	1712 (1263)	2096 (1546)	2864 (2112)				9,9 (144)	6000 (4425)	12,7 (775)	
	end	768 (566)	446 (329)	808 (596)	1171 (864)	1533 (1131)	1895 (1398)	2258 (1665)	2620 (1932)	2982 (2199)	3707 (2734)	5157 (3804)							
LPS-15A-335X-F02-1	start	1143 (843)	1306 (963)	1732 (1277)	2159 (1592)	2585 (1907)	3011 (2221)	3437 (2535)	3863 (2849)	4289 (3163)	5142 (3793)								
	run	522 (385)	601 (443)	842 (621)	1082 (798)	1322 (975)	1561 (1151)	1800 (1328)	2040 (1505)	2280 (1682)	2758 (2034)						8 (116)	6000 (4425)	15,8 (964)
	end	765 (564)	891 (657)	1343 (991)	1794 (1323)	2246 (1657)	2698 (1990)	3150 (2323)	3602 (2657)	4054 (2990)	4957 (3656)								
LPS-15A-360X-F02-1	start	1141 (842)	1634 (1205)	2126 (1568)	2618 (1931)	3111 (2295)	3603 (2657)	4095 (3020)	4587 (3383)	5079 (3746)									
	run	521 (384)	787 (580)	1064 (785)	1340 (988)	1617 (1193)	1894 (1397)	2170 (1601)	2447 (1805)	2723 (2008)							6,9 (100)	6000 (4425)	18,3 (1117)
	end	763 (563)	1238 (913)	1760 (1298)	2282 (1683)	2804 (2068)	3326 (2453)	3847 (2837)	4369 (3222)	4891 (3607)									
LPS-15A-385X-F02-1	start	1139 (840)	1986 (1465)	2549 (1880)	3111 (2295)	3674 (2710)	4237 (3125)	4800 (3540)	5363 (3956)										
	run	520 (384)	985 (726)	1301 (960)	1618 (1193)	1934 (1426)	2250 (1660)	2566 (1893)	2883 (2126)								6 (87)	6000 (4425)	20,9 (1275)
	end	761 (561)	1611 (1188)	2208 (1629)	2805 (2069)	3401 (2508)	3998 (2949)	4595 (3389)	5192 (3829)										
LPS-15A-255X-F03-1	start	1750 (1291)					920 (679)	1167 (861)	1414 (1043)	1661 (1225)	2155 (1589)	3142 (2317)	4624 (3410)						
	run	817 (603)					289 (213)	462 (341)	606 (447)	748 (552)	1028 (758)	1584 (1168)	2416 (1782)	12 (174)		6000 (4425)	9,2 (561)		
	end	1234 (910)					289 (213)	551 (406)	813 (600)	1074 (792)	1598 (1179)	2645 (1951)	3169 (2337)						
LPS-15A-285X-F03-1	start	1748 (1289)			855 (631)	1163 (858)	1472 (1086)	1780 (1313)	2089 (1541)	2397 (1768)	3014 (2223)	4248 (3133)	4865 (3588)						
	run	816 (602)			220 (162)	460 (339)	639 (471)	816 (602)	990 (730)	1165 (859)	1512 (1115)	2205 (1626)	2552 (1882)	11,8 (171)		6000 (4425)	11,4 (696)		
	end	1232 (909)			220 (162)	547 (403)	874 (645)	1201 (886)	1528 (1127)	1855 (1368)	2509 (1851)	3817 (2815)	4471 (3298)						

Actuator Model	METRIC/IMPERIAL TORQUE TABLE															Max Operating Pressure	Max Operating Torque	Swept Volume*	
	Spring Torque	barg (PSIG)	barg (PSIG)	barg (PSIG)	barg (PSIG)	barg (PSIG)	barg (PSIG)	barg (PSIG)	barg (PSIG)	barg (PSIG)	barg (PSIG)	barg (PSIG)	barg (PSIG)	barg (PSIG)	barg (PSIG)				
		2.5 (36)	3 (44)	3.5 (51)	4 (58)	4.5 (65)	5 (73)	5.5 (80)	6 (87)	7 (102)	9 (131)	10 (145)	12 (174)						
		Output Torque Nm (ft-lb) @ supply pressure barg (PSIG)																	
Nm (ft-lb)	Nm (ft-lb)	Nm (ft-lb)	Nm (ft-lb)	Nm (ft-lb)	Nm (ft-lb)	Nm (ft-lb)	Nm (ft-lb)	Nm (ft-lb)	Nm (ft-lb)	Nm (ft-lb)	Nm (ft-lb)	Nm (ft-lb)	Nm (ft-lb)	Nm (ft-lb)	barg (PSIG)	Nm (ft-lb)	L (cu in)		
LPS-15A-300X-F03-1	start	1747 (1289)			1087 (802)	1429 (1054)	1771 (1306)	2112 (1558)	2454 (1810)	2796 (2062)	3480 (2567)	4847 (3575)							
	run	815 (601)			414 (305)	615 (454)	810 (597)	1004 (741)	1197 (883)	1389 (1024)	1773 (1308)	2542 (1875)				10,6 (154)	6000 (4425)	12,7 (775)	
	end	1231 (908)			466 (344)	829 (611)	1191 (878)	1553 (1145)	1916 (1413)	2278 (1680)	3003 (2215)	4452 (3284)							
LPS-15A-335X-F03-1	start	1745 (1287)	823 (607)	1249 (921)	1676 (1236)	2102 (1550)	2528 (1865)	2954 (2179)	3380 (2493)	3806 (2807)	4659 (3436)								
	run	814 (600)	186 (137)	510 (376)	756 (558)	998 (736)	1238 (913)	1478 (1090)	1718 (1267)	1957 (1443)	2436 (1797)					8,5 (123)	6000 (4425)	15,8 (964)	
	end	1229 (906)	186 (137)	638 (471)	1090 (804)	1542 (1137)	1994 (1471)	2446 (1804)	2897 (2137)	3349 (2470)	4253 (3137)								
LPS-15A-360X-F03-1	start	1743 (1286)	1151 (849)	1643 (1212)	2135 (1575)	2628 (1938)	3120 (2301)	3612 (2664)	4104 (3027)	4596 (3390)									
	run	813 (600)	452 (333)	738 (544)	1017 (750)	1294 (954)	1571 (1159)	1848 (1363)	2124 (1567)	2401 (1771)						7,4 (107)	6000 (4425)	18,3 (1117)	
	end	1226 (904)	534 (394)	1056 (779)	1578 (1164)	2099 (1548)	2621 (1933)	3143 (2318)	3665 (2703)	4187 (3088)									
LPS-15A-385X-F03-1	start	1740 (1283)	1503 (1109)	2065 (1523)	2628 (1938)	3191 (2354)	3754 (2769)	4317 (3184)	4880 (3599)										
	run	812 (599)	657 (485)	977 (721)	1295 (955)	1611 (1188)	1928 (1422)	2244 (1655)	2560 (1888)							6,4 (93)	6000 (4425)	20,9 (1275)	
	end	1224 (903)	907 (669)	1504 (1109)	2100 (1549)	2697 (1989)	3294 (2430)	3891 (2870)	4487 (3309)										
LPS-15A-255X-F03-3	start	2479 (1828)								1153 (850)	1647 (1215)	2634 (1943)	3128 (2307)	4116 (3036)					
	run	1150 (848)								220 (162)	640 (472)	1211 (893)	1491 (1100)	2047 (1510)			12 (174)	6000 (4425)	
	end	1722 (1270)								220 (162)	744 (549)	1791 (1321)	2314 (1707)	3362 (2480)				9,2 (561)	
LPS-15A-285X-F03-3	start	2477 (1827)								1272 (938)	1581 (1166)	1889 (1393)	2506 (1848)	3740 (2758)	4357 (3214)				
	run	1149 (847)								347 (256)	600 (443)	783 (578)	1138 (839)	1836 (1354)	2183 (1610)			12 (174)	
	end	1720 (1269)								347 (256)	674 (497)	1001 (738)	1655 (1221)	2963 (2185)	3617 (2668)			11,4 (696)	
LPS-15A-300X-F03-3	start	2476 (1826)					1263 (932)	1604 (1183)	1946 (1435)	2288 (1688)	2972 (2192)	4339 (3200)	5022 (3704)						
	run	1148 (847)					337 (249)	615 (454)	816 (602)	1013 (747)	1402 (1034)	2172 (1602)	2557 (1886)				11,4 (165)	6000 (4425)	
	end	1719 (1268)					337 (249)	699 (516)	1061 (783)	1424 (1050)	2148 (1584)	3598 (2654)	4323 (3188)					12,7 (775)	
LPS-15A-335X-F03-3	start	2474 (1825)			1167 (861)	1594 (1176)	2020 (1490)	2446 (1804)	2872 (2118)	3298 (2432)	4150 (3061)								
	run	1147 (846)			236 (174)	608 (448)	859 (634)	1103 (814)	1346 (993)	1587 (1171)	2067 (1525)						9,1 (132)	6000 (4425)	
	end	1716 (1266)			236 (174)	688 (507)	1139 (840)	1591 (1173)	2043 (1507)	2495 (1840)	3398 (2506)							15,8 (964)	

Limitorque™ LPS Series Actuator

Actuator Model	METRIC/IMPERIAL TORQUE TABLE																
	Spring Torque	barg (PSIG)	barg (PSIG)	barg (PSIG)	barg (PSIG)	barg (PSIG)	barg (PSIG)	barg (PSIG)	barg (PSIG)	barg (PSIG)	barg (PSIG)	barg (PSIG)	barg (PSIG)	barg (PSIG)	Max Operating Pressure	Max Operating Torque	Swept Volume*
		2.5 (36)	3 (44)	3.5 (51)	4 (58)	4.5 (65)	5 (73)	5.5 (80)	6 (87)	7 (102)	9 (131)	10 (145)	12 (174)				
		Output Torque Nm (ft-lb) @ supply pressure barg (PSIG)															
Nm (ft-lb)	Nm (ft-lb)	Nm (ft-lb)	Nm (ft-lb)	Nm (ft-lb)	Nm (ft-lb)	Nm (ft-lb)	Nm (ft-lb)	Nm (ft-lb)	Nm (ft-lb)	Nm (ft-lb)	Nm (ft-lb)	Nm (ft-lb)	Nm (ft-lb)	barg (PSIG)	Nm (ft-lb)	L (cu in)	
LPS-15A-360X-F03-3	start	2472 (1823)		1135 (837)	1627 (1200)	2119 (1563)	2612 (1927)	3104 (2289)	3596 (2652)	4088 (3015)	5072 (3741)				7,9 (115)	6000 (4425)	18,3 (1117)
	run	1146 (845)		201 (148)	629 (464)	916 (676)	1198 (884)	1477 (1089)	1754 (1294)	2032 (1499)	2585 (1907)						
	end	1714 (1264)		201 (148)	723 (533)	1245 (918)	1767 (1303)	2289 (1688)	2810 (2073)	3332 (2458)	4376 (3228)						
LPS-15A-385X-F03-3	start	2469 (1821)		1557 (1148)	2120 (1564)	2683 (1979)	3246 (2394)	3809 (2809)	4372 (3225)	4935 (3640)				6,9 (100)	6000 (4425)	20,9 (1275)	
	run	1144 (844)		586 (432)	917 (676)	1238 (913)	1557 (1148)	1874 (1382)	2191 (1616)	2507 (1849)							
	end	1712 (1263)		649 (479)	1246 (919)	1843 (1359)	2439 (1799)	3036 (2239)	3633 (2680)	4230 (3120)							
LPS-20A-335X-F02-2	start	3120 (2301)			1715 (1265)	2279 (1681)	2843 (2097)	3406 (2512)	3970 (2928)	4534 (3344)	5661 (4175)	7915 (5838)	9042 (6669)	12 (174)	12000 (8851)	20 (1220)	
	run	1429 (1054)			489 (361)	905 (667)	1234 (910)	1556 (1148)	1876 (1384)	2194 (1618)	2829 (2087)	4096 (3021)	4729 (3488)				
	end	2105 (1553)			489 (361)	1087 (802)	1684 (1242)	2282 (1683)	2879 (2123)	3477 (2564)	4672 (3446)	7062 (5209)	8258 (6091)				
LPS-20A-360X-F02-2	start	3117 (2299)		1673 (1234)	2324 (1714)	2974 (2194)	3625 (2674)	4276 (3154)	4927 (3634)	5578 (4114)	6880 (5074)	9483 (6994)	10785 (7955)	10,9 (158)	12000 (8851)	23,1 (1410)	
	run	1428 (1053)		444 (327)	932 (687)	1309 (965)	1680 (1239)	2049 (1511)	2416 (1782)	2782 (2052)	3514 (2592)	4977 (3671)	5708 (4210)				
	end	2102 (1550)		444 (327)	1134 (836)	1824 (1345)	2514 (1854)	3204 (2363)	3894 (2872)	4584 (3381)	5965 (4400)	8725 (6435)	10105 (7453)				
LPS-20A-385X-F02-2	start	3115 (2298)	1487 (1097)	2231 (1645)	2976 (2195)	3720 (2744)	4464 (3292)	5209 (3842)	5953 (4391)	6698 (4940)	8186 (6038)			9,5 (138)	12000 (8851)	26,4 (1611)	
	run	1426 (1052)	247 (182)	877 (647)	1310 (966)	1734 (1279)	2155 (1589)	2574 (1898)	2993 (2208)	3411 (2516)	4248 (3133)						
	end	2099 (1548)	247 (182)	1036 (764)	1825 (1346)	2614 (1928)	3404 (2511)	4193 (3093)	4982 (3675)	5772 (4257)	7350 (5421)						
LPS-20A-435X-F02-2	start	3108 (2292)	2510 (1851)	3460 (2552)	4411 (3253)	5361 (3954)	6311 (4655)	7262 (5356)	8212 (6057)	9162 (6758)				7,4 (107)	12000 (8851)	33,7 (2057)	
	run	1423 (1050)	1041 (768)	1586 (1170)	2125 (1567)	2660 (1962)	3194 (2356)	3728 (2750)	4262 (3143)	4796 (3537)							
	end	2093 (1544)	1332 (982)	2339 (1725)	3347 (2469)	4354 (3211)	5362 (3955)	6370 (4698)	7377 (5441)	8385 (6184)							
LPS-20A-485X-F02-2	start	3102 (2288)	3658 (2698)	4840 (3570)	6021 (4441)	7202 (5312)	8384 (6184)	9565 (7055)	10746 (7926)					6 (87)	12000 (8851)	41,9 (2557)	
	run	1419 (1047)	1699 (1253)	2366 (1745)	3031 (2236)	3695 (2725)	4359 (3215)	5023 (3705)	5687 (4195)								
	end	2085 (1538)	2549 (1880)	3802 (2804)	5054 (3728)	6307 (4652)	7559 (5575)	8812 (6499)	10064 (7423)								
LPS-20A-335X-F02-3	start	4045 (2983)					2246 (1657)	2810 (2073)	3373 (2488)	3937 (2904)	5064 (3735)	7318 (5397)	8446 (6229)	10700 (7892)	12 (174)	12000 (8851)	20 (1220)
	run	1838 (1356)					600 (443)	1067 (787)	1401 (1033)	1726 (1273)	2369 (1747)	3641 (2685)	4274 (3152)	5541 (4087)			
	end	2677 (1974)					600 (443)	1198 (884)	1796 (1325)	2393 (1765)	3588 (2646)	5979 (4410)	7174 (5291)	9564 (7054)			

Actuator Model	METRIC/IMPERIAL TORQUE TABLE																
	Spring Torque	barg (PSIG)	barg (PSIG)	barg (PSIG)	barg (PSIG)	barg (PSIG)	barg (PSIG)	barg (PSIG)	barg (PSIG)	barg (PSIG)	barg (PSIG)	barg (PSIG)	barg (PSIG)	barg (PSIG)	Max Operating Pressure	Max Operating Torque	Swept Volume*
		2.5 (36)	3 (44)	3.5 (51)	4 (58)	4.5 (65)	5 (73)	5.5 (80)	6 (87)	7 (102)	9 (131)	10 (145)	12 (174)				
		Output Torque Nm (ft-lb) @ supply pressure barg (PSIG)															
Nm (ft-lb)	Nm (ft-lb)	Nm (ft-lb)	Nm (ft-lb)	Nm (ft-lb)	Nm (ft-lb)	Nm (ft-lb)	Nm (ft-lb)	Nm (ft-lb)	Nm (ft-lb)	Nm (ft-lb)	Nm (ft-lb)	Nm (ft-lb)	Nm (ft-lb)	barg (PSIG)	Nm (ft-lb)	L (cu in)	
LPS-20A-360X-F02-3	start	4042 (2981)				2378 (1754)	3029 (2234)	3680 (2714)	4330 (3194)	4981 (3674)	6283 (4634)	8886 (6554)	10188 (7514)		11,3 (164)	12000 (8851)	23,1 (1410)
	run	1837 (1355)				740 (546)	1199 (884)	1578 (1164)	1952 (1440)	2322 (1713)	3058 (2255)	4522 (3335)	5253 (3874)				
	end	2675 (1973)				740 (546)	1430 (1055)	2120 (1564)	2810 (2073)	3500 (2581)	4881 (3600)	7641 (5636)	9021 (6654)				
LPS-20A-385X-F02-3	start	4040 (2980)			2379 (1755)	3123 (2303)	3868 (2853)	4612 (3402)	5356 (3950)	6101 (4500)	7590 (5598)	10567 (7794)			9,9 (144)	12000 (8851)	26,4 (1611)
	run	1835 (1353)			741 (547)	1255 (926)	1687 (1244)	2112 (1558)	2534 (1869)	2955 (2179)	3793 (2798)	5466 (4032)					
	end	2672 (1971)			741 (547)	1531 (1129)	2320 (1711)	3109 (2293)	3898 (2875)	4688 (3458)	6266 (4622)	9423 (6950)					
LPS-20A-435X-F02-3	start	4033 (2975)	1913 (1411)	2864 (2112)	3814 (2813)	4764 (3514)	5715 (4215)	6665 (4916)	7615 (5617)	8566 (6318)	10466 (7719)				7,8 (113)	12000 (8851)	33,7 (2057)
	run	1832 (1351)	248 (183)	1100 (811)	1656 (1221)	2199 (1622)	2737 (2019)	3273 (2414)	3808 (2809)	4342 (3202)	5410 (3990)						
	end	2665 (1966)	248 (183)	1255 (926)	2263 (1669)	3271 (2413)	4278 (3155)	5286 (3899)	6293 (4641)	7301 (5385)	9316 (6871)						
LPS-20A-485X-F02-3	start	4026 (2969)	3062 (2258)	4243 (3129)	5424 (4001)	6606 (4872)	7787 (5743)	8968 (6614)	10150 (7486)						6,2 (90)	12000 (8851)	41,9 (2557)
	run	1828 (1348)	1218 (898)	1902 (1403)	2573 (1898)	3239 (2389)	3904 (2879)	4568 (3369)	5232 (3859)								
	end	2658 (1960)	1465 (1081)	2718 (2005)	3970 (2928)	5223 (3852)	6475 (4776)	7728 (5700)	8980 (6623)								
LPS-20A-335X-F03-1	start	4703 (3469)						2194 (1618)	2758 (2034)	3321 (2449)	4449 (3281)	6703 (4944)	7830 (5775)	10085 (7438)	12 (174)	12000 (8851)	20 (1220)
	run	2182 (1609)						427 (315)	991 (731)	1332 (982)	1984 (1463)	3262 (2406)	3897 (2874)	5164 (3809)			
	end	3268 (2410)						427 (315)	1024 (755)	1622 (1196)	2817 (2078)	5208 (3841)	6403 (4723)	8793 (6485)			
LPS-20A-360X-F03-1	start	4700 (3467)					2413 (1780)	3064 (2260)	3715 (2740)	4366 (3220)	5668 (4180)	8271 (6100)	9573 (7061)	11,8 (171)	12000 (8851)	23,1 (1410)	
	run	2180 (1608)					659 (486)	1179 (870)	1562 (1152)	1937 (1429)	2677 (1974)	4145 (3057)	4876 (3596)				
	end	3265 (2408)					659 (486)	1349 (995)	2039 (1504)	2730 (2014)	4110 (3031)	6870 (5067)	8250 (6085)				
LPS-20A-385X-F03-1	start	4697 (3464)				2508 (1850)	3252 (2399)	3997 (2948)	4741 (3497)	5486 (4046)	6974 (5144)	9952 (7340)		10,3 (149)	12000 (8851)	26,4 (1611)	
	run	2178 (1606)				760 (561)	1292 (953)	1725 (1272)	2152 (1587)	2574 (1898)	3415 (2519)	5089 (3753)					
	end	3262 (2406)				760 (561)	1549 (1142)	2338 (1724)	3127 (2306)	3917 (2889)	5495 (4053)	8652 (6381)					
LPS-20A-435X-F03-1	start	4691 (3460)	2248 (1658)	3199 (2359)	4149 (3060)	5099 (3761)	6050 (4462)	7000 (5163)	7950 (5864)	9851 (7266)				8,1 (117)	12000 (8851)	33,7 (2057)	
	run	2175 (1604)	484 (357)	1260 (929)	1813 (1337)	2355 (1737)	2893 (2134)	3429 (2529)	3964 (2924)	5032 (3711)							
	end	3255 (2401)	484 (357)	1492 (1100)	2500 (1844)	3507 (2587)	4515 (3330)	5522 (4073)	6530 (4816)	8545 (6302)							

Actuator Model	METRIC/IMPERIAL TORQUE TABLE																
	Spring Torque	barg (PSIG)	barg (PSIG)	barg (PSIG)	barg (PSIG)	barg (PSIG)	barg (PSIG)	barg (PSIG)	barg (PSIG)	barg (PSIG)	barg (PSIG)	barg (PSIG)	barg (PSIG)	barg (PSIG)	Max Operating Pressure	Max Operating Torque	Swept Volume*
		2.5 (36)	3 (44)	3.5 (51)	4 (58)	4.5 (65)	5 (73)	5.5 (80)	6 (87)	7 (102)	9 (131)	10 (145)	12 (174)				
		Output Torque Nm (ft-lb) @ supply pressure barg (PSIG)															
Nm (ft-lb)	Nm (ft-lb)	Nm (ft-lb)	Nm (ft-lb)	Nm (ft-lb)	Nm (ft-lb)	Nm (ft-lb)	Nm (ft-lb)	Nm (ft-lb)	Nm (ft-lb)	Nm (ft-lb)	Nm (ft-lb)	Nm (ft-lb)	Nm (ft-lb)	barg (PSIG)	Nm (ft-lb)	L (cu in)	
LPS-20A-485X-F03-1	start	4684 (3455)	2446 (1804)	3628 (2676)	4809 (3547)	5990 (4418)	7172 (5290)	8353 (6161)	9534 (7032)	10716 (7904)					6,5 (94)	12000 (8851)	41,9 (2557)
	run	2171 (1601)	694 (512)	1512 (1115)	2190 (1615)	2860 (2109)	3526 (2601)	4191 (3091)	4854 (3580)	5518 (4070)							
	end	3248 (2396)	694 (512)	1947 (1436)	3199 (2359)	4452 (3284)	5704 (4207)	6957 (5131)	8209 (6055)	9462 (6979)							
LPS-20A-335X-F03-2	start	5628 (4151)								2725 (2010)	3852 (2841)	6106 (4504)	7234 (5336)	9488 (6998)	12 (174)	12000 (8851)	20 (1220)
	run	2590 (1910)								538 (397)	1495 (1103)	2798 (2064)	3438 (2536)	4709 (3473)			
	end	3840 (2832)								538 (397)	1733 (1278)	4124 (3042)	5319 (3923)	7709 (5686)			
LPS-20A-360X-F03-2	start	5625 (4149)						2468 (1820)	3118 (2300)	3769 (2780)	5071 (3740)	7674 (5660)	8976 (6620)		12 (174)	12000 (8851)	23,1 (1410)
	run	2589 (1910)						266 (196)	956 (705)	1446 (1067)	2207 (1628)	3687 (2719)	4421 (3261)				
	end	3837 (2830)						266 (196)	956 (705)	1646 (1214)	3026 (2232)	5786 (4268)	7166 (5285)				
LPS-20A-385X-F03-2	start	5622 (4147)					2656 (1959)	3400 (2508)	4144 (3056)	4889 (3606)	6378 (4704)	9355 (6900)			10,7 (155)	12000 (8851)	26,4 (1611)
	run	2587 (1908)					465 (343)	1218 (898)	1669 (1231)	2102 (1550)	2953 (2178)	4634 (3418)					
	end	3834 (2828)					465 (343)	1254 (925)	2044 (1508)	2833 (2090)	4411 (3253)	7568 (5582)					
LPS-20A-435X-F03-2	start	5616 (4142)			2602 (1919)	3552 (2620)	4503 (3321)	5453 (4022)	6403 (4723)	7354 (5424)	9254 (6825)				8,4 (122)	12000 (8851)	33,7 (2057)
	run	2584 (1906)			408 (301)	1314 (969)	1878 (1385)	2426 (1789)	2967 (2188)	3505 (2585)	4577 (3376)						
	end	3828 (2823)			408 (301)	1416 (1044)	2423 (1787)	3431 (2531)	4438 (3273)	5446 (4017)	7461 (5503)						
LPS-20A-485X-F03-2	start	5609 (4137)		3031 (2236)	4212 (3107)	5394 (3978)	6575 (4849)	7756 (5721)	8938 (6592)	10119 (7463)					6,7 (97)	12000 (8851)	41,9 (2557)
	run	2580 (1903)		863 (637)	1709 (1260)	2392 (1764)	3065 (2261)	3733 (2753)	4399 (3245)	5064 (3735)							
	end	3820 (2817)		863 (637)	2115 (1560)	3368 (2484)	4620 (3408)	5873 (4332)	7126 (5256)	8378 (6179)							
LPS-20A-335X-F03-3	start	6244 (4605)									3395 (2504)	5649 (4166)	6776 (4998)	9031 (6661)	12 (174)	12000 (8851)	20 (1220)
	run	2879 (2123)									1011 (746)	2468 (1820)	3112 (2295)	4387 (3236)			
	end	4279 (3156)									1011 (746)	3402 (2509)	4597 (3391)	6987 (5153)			
LPS-20A-360X-F03-3	start	6241 (4603)									3312 (2443)	4614 (3403)	7217 (5323)	8519 (6283)	12 (174)	12000 (8851)	23,1 (1410)
	run	2878 (2123)									924 (682)	1867 (1377)	3362 (2480)	4098 (3023)			
	end	4276 (3154)									924 (682)	2304 (1699)	5064 (3735)	6444 (4753)			

Actuator Model	METRIC/IMPERIAL TORQUE TABLE																
	Spring Torque	barg (PSIG)	barg (PSIG)	barg (PSIG)	barg (PSIG)	barg (PSIG)	barg (PSIG)	barg (PSIG)	barg (PSIG)	barg (PSIG)	barg (PSIG)	barg (PSIG)	barg (PSIG)	barg (PSIG)	Max Operating Pressure	Max Operating Torque	Swept Volume*
		2.5 (36)	3 (44)	3.5 (51)	4 (58)	4.5 (65)	5 (73)	5.5 (80)	6 (87)	7 (102)	9 (131)	10 (145)	12 (174)				
		Output Torque Nm (ft-lb) @ supply pressure barg (PSIG)															
Nm (ft-lb)	Nm (ft-lb)	Nm (ft-lb)	Nm (ft-lb)	Nm (ft-lb)	Nm (ft-lb)	Nm (ft-lb)	Nm (ft-lb)	Nm (ft-lb)	Nm (ft-lb)	Nm (ft-lb)	Nm (ft-lb)	Nm (ft-lb)	Nm (ft-lb)	barg (PSIG)	Nm (ft-lb)	L (cu in)	
LPS-20A-385X-F03-3	start	6239 (4602)						2943 (2171)	3687 (2719)	4432 (3269)	5921 (4367)	8898 (6563)	10387 (7661)		11 (160)	12000 (8851)	26,4 (1611)
	run	2876 (2121)						532 (392)	1306 (963)	1760 (1298)	2624 (1935)	4312 (3180)	5151 (3799)				
	end	4273 (3152)						532 (392)	1322 (975)	2111 (1557)	3689 (2721)	6846 (5049)	8425 (6214)				
LPS-20A-435X-F03-3	start	6232 (4596)			3095 (2283)	4046 (2984)	4996 (3685)	5946 (4386)	6896 (5086)	8797 (6488)					8,6 (125)	12000 (8851)	33,7 (2057)
	run	2873 (2119)			694 (512)	1528 (1127)	2090 (1542)	2638 (1946)	3180 (2345)	4255 (3138)							
	end	4266 (3146)			694 (512)	1701 (1255)	2709 (1998)	3716 (2741)	4724 (3484)	6739 (4970)							
LPS-20A-485X-F03-3	start	6225 (4591)			3755 (2770)	4936 (3641)	6118 (4512)	7299 (5383)	8480 (6255)	9662 (7126)					6,9 (100)	12000 (8851)	41,9 (2557)
	run	2869 (2116)			1349 (995)	2056 (1516)	2736 (2018)	3408 (2514)	4076 (3006)	4743 (3498)							
	end	4259 (3141)			1393 (1027)	2646 (1952)	3898 (2875)	5151 (3799)	6404 (4723)	7656 (5647)							
LPS-20A-335X-F04-2	start	7258 (5353)									4237 (3125)	5365 (3957)	7619 (5619)		12 (174)	12000 (8851)	20 (1220)
	run	3531 (2604)									1746 (1288)	2396 (1767)	3675 (2711)				
	end	5633 (4155)									2213 (1632)	3408 (2514)	5799 (4277)				
LPS-20A-360X-F04-2	start	7255 (5351)									3202 (2362)	5805 (4282)	7107 (5242)	9711 (7162)	12 (174)	12000 (8851)	23,1 (1410)
	run	3529 (2603)									1115 (822)	2648 (1953)	3386 (2497)	4853 (3579)			
	end	5630 (4152)									1115 (822)	3876 (2859)	5256 (3877)	8016 (5912)			
LPS-20A-385X-F04-2	start	7253 (5350)								3020 (2227)	4509 (3326)	7486 (5521)	8975 (6620)		12 (174)	12000 (8851)	26,4 (1611)
	run	3528 (2602)									922 (680)	1904 (1404)	3600 (2655)	4439 (3274)			
	end	5627 (4150)									922 (680)	2501 (1845)	5658 (4173)	7236 (5337)			
LPS-20A-435X-F04-2	start	7246 (5344)				2634 (1943)	3584 (2643)	4534 (3344)	5485 (4046)	7385 (5447)					9,4 (136)	12000 (8851)	33,7 (2057)
	run	3524 (2599)				513 (378)	1359 (1002)	1919 (1415)	2465 (1818)	3543 (2613)							
	end	5621 (4146)				513 (378)	1520 (1121)	2528 (1865)	3536 (2608)	5551 (4094)							
LPS-20A-485X-F04-2	start	7240 (5340)			3524 (2599)	4706 (3471)	5887 (4342)	7068 (5213)	8250 (6085)	10613 (7828)					7,5 (109)	12000 (8851)	41,9 (2557)
	run	3520 (2596)			1323 (976)	2018 (1488)	2694 (1987)	3364 (2481)	4031 (2973)	5360 (3953)							
	end	5613 (4140)			1457 (1075)	2710 (1999)	3962 (2922)	5215 (3846)	6468 (4771)	8973 (6618)							

Actuator Model	METRIC/IMPERIAL TORQUE TABLE																
	Spring Torque	barg (PSIG)	barg (PSIG)	barg (PSIG)	barg (PSIG)	barg (PSIG)	barg (PSIG)	barg (PSIG)	barg (PSIG)	barg (PSIG)	barg (PSIG)	barg (PSIG)	barg (PSIG)	barg (PSIG)	Max Operating Pressure	Max Operating Torque	Swept Volume*
		2.5 (36)	3 (44)	3.5 (51)	4 (58)	4.5 (65)	5 (73)	5.5 (80)	6 (87)	7 (102)	9 (131)	10 (145)	12 (174)				
		Output Torque Nm (ft-lb) @ supply pressure barg (PSIG)															
Nm (ft-lb)	Nm (ft-lb)	Nm (ft-lb)	Nm (ft-lb)	Nm (ft-lb)	Nm (ft-lb)	Nm (ft-lb)	Nm (ft-lb)	Nm (ft-lb)	Nm (ft-lb)	Nm (ft-lb)	Nm (ft-lb)	Nm (ft-lb)	Nm (ft-lb)	barg (PSIG)	Nm (ft-lb)	L (cu in)	
LPS-25A-435X-F02-3	start	7699 (5678)			4533 (3343)	5707 (4209)	6881 (5075)	8055 (5941)	9229 (6807)	11577 (8539)	16272 (12002)	18620 (13733)		11 (160)	21000 (15489)	41,6 (2539)	
	run	3349 (2470)			857 (632)	2044 (1508)	2756 (2033)	3440 (2537)	4114 (3034)	5449 (4019)	8098 (5973)	9417 (6946)					
	end	4590 (3385)			857 (632)	2102 (1550)	3346 (2468)	4591 (3386)	5836 (4304)	8325 (6140)	13304 (9813)	15793 (11648)					
LPS-25A-485X-F02-3	start	7690 (5672)		5348 (3944)	6808 (5021)	8267 (6097)	9726 (7174)	11185 (8250)	12645 (9326)	15563 (11479)				8,8 (128)	21000 (15489)	51,7 (3155)	
	run	3344 (2466)		1721 (1269)	2712 (2000)	3562 (2627)	4398 (3244)	5228 (3856)	6053 (4464)	7699 (5678)							
	end	4580 (3378)		1721 (1269)	3268 (2410)	4816 (3552)	6363 (4693)	7910 (5834)	9457 (6975)	12552 (9258)							
LPS-25A-535X-F02-3	start	7681 (5665)	5778 (4262)	7554 (5572)	9329 (6881)	11105 (8191)	12881 (9501)	14656 (10810)	16432 (12120)					7,2 (104)	21000 (15489)	63 (3844)	
	run	3339 (2463)	2088 (1540)	3150 (2323)	4172 (3077)	5182 (3822)	6186 (4563)	7188 (5302)	8188 (6039)								
	end	4570 (3371)	2177 (1606)	4059 (2994)	5942 (4383)	7825 (5771)	9708 (7160)	11590 (8548)	13473 (9937)								
LPS-25A-585X-F02-3	start	7730 (5701)	5788 (4269)	7911 (5835)	10034 (7401)	12158 (8967)	14281 (10533)	16404 (12099)	18527 (13665)					6 (87)	21000 (15489)	75,3 (4595)	
	run	3367 (2483)	2095 (1545)	3357 (2476)	4574 (3374)	5778 (4262)	6976 (5145)	8172 (6027)	9365 (6907)								
	end	4622 (3409)	2188 (1614)	4439 (3274)	6690 (4934)	8941 (6595)	11192 (8255)	13443 (9915)	15694 (11575)								
LPS-25A-435X-F03-4	start	8152 (6013)				4970 (3666)	6144 (4532)	7318 (5397)	8492 (6263)	10840 (7995)	15535 (11458)	17883 (13190)		11,3 (164)	21000 (15489)	41,6 (2539)	
	run	3676 (2711)				1570 (1158)	2402 (1772)	3091 (2280)	3766 (2778)	5102 (3763)	7750 (5716)	9069 (6689)					
	end	5297 (3907)				1570 (1158)	2815 (2076)	4060 (2994)	5304 (3912)	7794 (5749)	12772 (9420)	15262 (11257)					
LPS-25A-485X-F03-4	start	8144 (6007)		4611 (3401)	6070 (4477)	7530 (5554)	8989 (6630)	10448 (7706)	11908 (8783)	14826 (10935)				9,1 (132)	21000 (15489)	51,7 (3155)	
	run	3671 (2708)		1190 (878)	2358 (1739)	3213 (2370)	4051 (2988)	4880 (3599)	5706 (4209)	7351 (5422)							
	end	5287 (3899)		1190 (878)	2737 (2019)	4284 (3160)	5832 (4301)	7379 (5442)	8926 (6583)	12020 (8865)							
LPS-25A-535X-F03-4	start	8134 (5999)	5041 (3718)	6816 (5027)	8592 (6337)	10368 (7647)	12144 (8957)	13919 (10266)	15695 (11576)					7,4 (107)	21000 (15489)	63 (3844)	
	run	3666 (2704)	1645 (1213)	2799 (2064)	3824 (2820)	4834 (3565)	5839 (4307)	6840 (5045)	7840 (5782)								
	end	5277 (3892)	1645 (1213)	3528 (2602)	5411 (3991)	7293 (5379)	9176 (6768)	11059 (8157)	12942 (9546)								
LPS-25A-585X-F03-4	start	8183 (6035)	5051 (3725)	7174 (5291)	9297 (6857)	11420 (8423)	13544 (9990)	15667 (11555)	17790 (13121)					6,2 (90)	21000 (15489)	75,3 (4595)	
	run	3694 (2725)	1656 (1221)	3008 (2219)	4226 (3117)	5431 (4006)	6629 (4889)	7824 (5771)	9017 (6651)								
	end	5329 (3930)	1656 (1221)	3907 (2882)	6158 (4542)	8410 (6203)	10661 (7863)	12912 (9523)	15163 (11184)								

Actuator Model	METRIC/IMPERIAL TORQUE TABLE																		
	Spring Torque	barg (PSIG)	barg (PSIG)	barg (PSIG)	barg (PSIG)	barg (PSIG)	barg (PSIG)	barg (PSIG)	barg (PSIG)	barg (PSIG)	barg (PSIG)	barg (PSIG)	barg (PSIG)	barg (PSIG)	Max Operating Pressure	Max Operating Torque	Swept Volume*		
		2.5 (36)	3 (44)	3.5 (51)	4 (58)	4.5 (65)	5 (73)	5.5 (80)	6 (87)	7 (102)	9 (131)	10 (145)	12 (174)						
		Output Torque Nm (ft-lb) @ supply pressure barg (PSIG)																	
Nm (ft-lb)	Nm (ft-lb)	Nm (ft-lb)	Nm (ft-lb)	Nm (ft-lb)	Nm (ft-lb)	Nm (ft-lb)	Nm (ft-lb)	Nm (ft-lb)	Nm (ft-lb)	Nm (ft-lb)	Nm (ft-lb)	Nm (ft-lb)	Nm (ft-lb)	barg (PSIG)	Nm (ft-lb)	L (cu in)			
LPS-25A-435X-F04-2	start	9276 (6842)						5377 (3966)	6551 (4832)	7725 (5698)	10073 (7429)	14769 (10893)	17117 (12625)		11,6 (168)	21000 (15489)	41,6 (2539)		
	run	4184 (3086)						1498 (1105)	2471 (1823)	3169 (2337)	4522 (3335)	7183 (5298)	8505 (6273)						
	end	6032 (4449)						1498 (1105)	2743 (2023)	3988 (2941)	6477 (4777)	11456 (8449)	13945 (10285)						
LPS-25A-485X-F04-2	start	9267 (6835)			5304 (3912)	6763 (4988)	8223 (6065)	9682 (7141)	11141 (8217)	14060 (10370)					9,3 (135)	21000 (15489)	51,7 (3155)		
	run	4179 (3082)			1420 (1047)	2599 (1917)	3458 (2550)	4299 (3171)	5130 (3784)	6782 (5002)									
	end	6023 (4442)			1420 (1047)	2968 (2189)	4515 (3330)	6062 (4471)	7610 (5613)	10704 (7895)									
LPS-25A-535X-F04-2	start	9258 (6828)			6050 (4462)	7826 (5772)	9601 (7081)	11377 (8391)	13153 (9701)	14928 (11010)	18480 (13630)				7,7 (112)	21000 (15489)	63 (3844)		
	run	4174 (3079)			2160 (1593)	3227 (2380)	4253 (3137)	5265 (3883)	6270 (4625)	7272 (5364)	9271 (6838)								
	end	6013 (4435)			2212 (1631)	4094 (3020)	5977 (4408)	7860 (5797)	9742 (7185)	11625 (8574)	15391 (11352)								
LPS-25A-585X-F04-2	start	9307 (6864)	6408 (4726)	8531 (6292)	10654 (7858)	12777 (9424)	14900 (10990)	17023 (12556)							6,4 (93)	21000 (15489)	75,3 (4595)		
	run	4202 (3099)	2383 (1758)	3637 (2683)	4853 (3579)	6058 (4468)	7257 (5352)	8452 (6234)											
	end	6065 (4473)	2591 (1911)	4842 (3571)	7093 (5232)	9344 (6892)	11595 (8552)	13846 (10212)											
LPS-25A-435X-F04-3	start	10400 (7671)							5718 (4217)	6892 (5083)	9240 (6815)	13936 (10279)	16283 (12010)		12 (174)	21000 (15489)	41,6 (2539)		
	run	4711 (3475)							1425 (1051)	2519 (1858)	3913 (2886)	6592 (4862)	7918 (5840)						
	end	6831 (5038)							1425 (1051)	2670 (1969)	5159 (3805)	10138 (7477)	12627 (9313)						
LPS-25A-485X-F04-3	start	10392 (7665)					5930 (4374)	7389 (5450)	8849 (6527)	10308 (7603)	13227 (9756)				9,6 (139)	21000 (15489)	51,7 (3155)		
	run	4706 (3471)					1650 (1217)	2824 (2083)	3686 (2719)	4528 (3340)	6190 (4566)								
	end	6822 (5032)					1650 (1217)	3197 (2358)	4744 (3499)	6291 (4640)	9386 (6923)								
LPS-25A-535X-F04-3	start	10382 (7657)			5217 (3848)	6992 (5157)	8768 (6467)	10544 (7777)	12320 (9087)	14095 (10396)	17647 (13016)				7,9 (115)	21000 (15489)	63 (3844)		
	run	4701 (3467)			893 (659)	2582 (1904)	3639 (2684)	4664 (3440)	5676 (4186)	6683 (4929)	8686 (6406)								
	end	6812 (5024)			893 (659)	2776 (2047)	4659 (3436)	6542 (4825)	8424 (6213)	10307 (7602)	14072 (10379)								
LPS-25A-585X-F04-3	start	10431 (7693)	5574 (4111)	7698 (5678)	9821 (7244)	11944 (8809)	14067 (10375)	16190 (11941)	18313 (13507)						6,6 (96)	21000 (15489)	75,3 (4595)		
	run	4729 (3488)	1273 (939)	3009 (2219)	4248 (3133)	5462 (4029)	6667 (4917)	7866 (5802)	9062 (6684)										
	end	6864 (5063)	1273 (939)	3524 (2599)	5775 (4259)	8026 (5920)	10277 (7580)	12528 (9240)	14779 (10900)										

Actuator Model	METRIC/IMPERIAL TORQUE TABLE																		
	Spring Torque	barg (PSIG)	barg (PSIG)	barg (PSIG)	barg (PSIG)	barg (PSIG)	barg (PSIG)	barg (PSIG)	barg (PSIG)	barg (PSIG)	barg (PSIG)	barg (PSIG)	barg (PSIG)	barg (PSIG)	Max Operating Pressure	Max Operating Torque	Swept Volume*		
		2.5 (36)	3 (44)	3.5 (51)	4 (58)	4.5 (65)	5 (73)	5.5 (80)	6 (87)	7 (102)	9 (131)	10 (145)	12 (174)						
		Output Torque Nm (ft-lb) @ supply pressure barg (PSIG)																	
Nm (ft-lb)	Nm (ft-lb)	Nm (ft-lb)	Nm (ft-lb)	Nm (ft-lb)	Nm (ft-lb)	Nm (ft-lb)	Nm (ft-lb)	Nm (ft-lb)	Nm (ft-lb)	Nm (ft-lb)	Nm (ft-lb)	Nm (ft-lb)	Nm (ft-lb)	barg (PSIG)	Nm (ft-lb)	L (cu in)			
LPS-25A-435X-F05-1	start	11565 (8530)								5366 (3958)	7713 (5689)	12409 (9152)	14757 (10884)		12 (174)	21000 (15489)	41,6 (2539)		
	run	5438 (4011)								1305 (963)	3103 (2289)	5799 (4277)	7126 (5256)						
	end	8295 (6118)								1305 (963)	3794 (2798)	8773 (6471)	11262 (8306)						
LPS-25A-485X-F05-1	start	11556 (8523)						5863 (4324)	7322 (5400)	8782 (6477)	11700 (8629)	17537 (12935)		10,1 (146)	21000 (15489)	51,7 (3155)			
	run	5433 (4007)						1832 (1351)	2871 (2118)	3726 (2748)	5396 (3980)	8693 (6412)							
	end	8286 (6111)						1832 (1351)	3379 (2492)	4927 (3634)	8021 (5916)	14210 (10481)							
LPS-25A-535X-F05-1	start	11547 (8517)				5466 (4032)	7242 (5341)	9017 (6651)	10793 (7960)	12569 (9270)	16120 (11889)			8,3 (120)	21000 (15489)	63 (3844)			
	run	5428 (4003)				1411 (1041)	2823 (2082)	3862 (2848)	4880 (3599)	5889 (4343)	7895 (5823)								
	end	8276 (6104)				1411 (1041)	3294 (2430)	5177 (3818)	7059 (5206)	8942 (6595)	12708 (9373)								
LPS-25A-585X-F05-1	start	11596 (8553)			6171 (4551)	8294 (6117)	10417 (7683)	12540 (9249)	14664 (10816)	16787 (12381)				6,9 (100)	21000 (15489)	75,3 (4595)			
	run	5455 (4023)			2159 (1592)	3443 (2539)	4666 (3441)	5873 (4332)	7074 (5218)	8270 (6100)									
	end	8328 (6142)			2159 (1592)	4410 (3253)	6661 (4913)	8912 (6573)	11163 (8233)	13414 (9894)									
LPS-25A-435X-F05-2	start	12101 (8925)								5047 (3722)	7394 (5454)	12090 (8917)	14438 (10649)	12 (174)	21000 (15489)	41,6 (2539)			
	run	5668 (4180)								677 (499)	2814 (2075)	5535 (4082)	6866 (5064)						
	end	8601 (6344)								677 (499)	3177 (2343)	8145 (6007)	10634 (7843)						
LPS-25A-485X-F05-2	start	12092 (8919)						5544 (4089)	7003 (5165)	8463 (6242)	11381 (8394)	17218 (12699)		10,2 (148)	21000 (15489)	51,7 (3155)			
	run	5663 (4177)						1204 (888)	2575 (1899)	3449 (2544)	5131 (3784)	8435 (6221)							
	end	8592 (6337)						1204 (888)	2751 (2029)	4299 (3171)	7393 (5453)	13582 (10018)							
LPS-25A-535X-F05-2	start	12083 (8912)				5147 (3796)	6923 (5106)	8698 (6415)	10474 (7725)	12250 (9035)	15801 (11654)			8,4 (122)	21000 (15489)	63 (3844)			
	run	5657 (4172)				783 (578)	2525 (1862)	3587 (2646)	4613 (3402)	5626 (4150)	7636 (5632)								
	end	8582 (6330)				783 (578)	2666 (1966)	4549 (3355)	6431 (4743)	8314 (6132)	12080 (8910)								
LPS-25A-585X-F05-2	start	12132 (8948)			5852 (4316)	7975 (5882)	10098 (7448)	12222 (9014)	14345 (10580)	16468 (12146)				7 (102)	21000 (15489)	75,3 (4595)			
	run	5685 (4193)			1531 (1129)	3162 (2332)	4397 (3243)	5610 (4138)	6814 (5026)	8012 (5909)									
	end	8634 (6368)			1531 (1129)	3782 (2789)	6033 (4450)	8284 (6110)	10535 (7770)	12786 (9430)									

Actuator Model	METRIC/IMPERIAL TORQUE TABLE																
	Spring Torque	barg (PSIG)	barg (PSIG)	barg (PSIG)	barg (PSIG)	barg (PSIG)	barg (PSIG)	barg (PSIG)	barg (PSIG)	barg (PSIG)	barg (PSIG)	barg (PSIG)	barg (PSIG)	barg (PSIG)	Max Operating Pressure	Max Operating Torque	Swept Volume*
		2.5 (36)	3 (44)	3.5 (51)	4 (58)	4.5 (65)	5 (73)	5.5 (80)	6 (87)	7 (102)	9 (131)	10 (145)	12 (174)				
		Output Torque Nm (ft-lb) @ supply pressure barg (PSIG)															
Nm (ft-lb)	Nm (ft-lb)	Nm (ft-lb)	Nm (ft-lb)	Nm (ft-lb)	Nm (ft-lb)	Nm (ft-lb)	Nm (ft-lb)	Nm (ft-lb)	Nm (ft-lb)	Nm (ft-lb)	Nm (ft-lb)	Nm (ft-lb)	Nm (ft-lb)	barg (PSIG)	Nm (ft-lb)	L (cu in)	
LPS-30A-535X-F02-3	start	13499 (9956)			8408 (6201)	10716 (7904)	13025 (9607)	15334 (11310)	17642 (13012)	19951 (14715)	24568 (18120)	33803 (24932)			10,4 (151)	40500 (29871)	80,5 (4912)
	run	5642 (4161)			1161 (856)	3609 (2662)	5123 (3779)	6476 (4776)	7805 (5757)	9122 (6728)	11739 (8658)	16942 (12496)					
	end	7298 (5383)			1161 (856)	3609 (2662)	6057 (4467)	8505 (6273)	10953 (8079)	13401 (9884)	18296 (13494)	28088 (20717)					
LPS-30A-585X-F02-3	start	13563 (10004)		8873 (6544)	11633 (8580)	14394 (10616)	17154 (12652)	19914 (14688)	22675 (16724)	25435 (18760)	30956 (22832)			8,7 (126)	40500 (29871)	96,2 (5870)	
	run	5679 (4189)		1655 (1221)	4281 (3157)	5929 (4373)	7525 (5550)	9102 (6713)	10668 (7868)	12229 (9020)	15341 (11315)						
	end	7366 (5433)		1655 (1221)	4582 (3380)	7508 (5538)	10435 (7696)	13362 (9855)	16288 (12013)	19215 (14172)	25069 (18490)						
LPS-30A-635X-F02-3	start	13562 (10003)	8571 (6322)	11824 (8721)	15076 (11119)	18329 (13519)	21581 (15917)	24834 (18317)	28086 (20715)	31338 (23114)				7,4 (107)	40500 (29871)	113,4 (6920)	
	run	5678 (4188)	1335 (985)	4399 (3245)	6327 (4667)	8198 (6047)	10049 (7412)	11889 (8769)	13724 (10122)	15556 (11473)							
	end	7364 (5431)	1335 (985)	4784 (3528)	8232 (6072)	11681 (8615)	15129 (11159)	18578 (13702)	22026 (16246)	25474 (18789)							
LPS-30A-685X-F02-3	start	13560 (10001)	11232 (8284)	15017 (11076)	18802 (13868)	22586 (16659)	26371 (19450)	30156 (22242)	33941 (25034)					6,3 (91)	40500 (29871)	131,9 (8049)	
	run	5678 (4188)	4030 (2972)	6292 (4641)	8468 (6246)	10618 (7831)	12758 (9410)	14890 (10982)	17019 (12553)								
	end	7363 (5431)	4156 (3065)	8169 (6025)	12182 (8985)	16195 (11945)	20208 (14905)	24221 (17864)	28234 (20824)								
LPS-30A-535X-F04-2	start	15013 (11073)			8643 (6375)	10951 (8077)	13260 (9780)	15569 (11483)	17877 (13185)	22495 (16591)	31730 (23403)	36347 (26808)		10,8 (157)	40500 (29871)	80,5 (4912)	
	run	6632 (4892)			1835 (1353)	4019 (2964)	5402 (3984)	6742 (4973)	8064 (5948)	10685 (7881)	15889 (11719)	18483 (13632)					
	end	9287 (6850)			1835 (1353)	4283 (3159)	6731 (4965)	9178 (6769)	11626 (8575)	16522 (12186)	26313 (19407)	31209 (23019)					
LPS-30A-585X-F04-2	start	15077 (11120)			9560 (7051)	12320 (9087)	15080 (11122)	17841 (13159)	20601 (15194)	23362 (17231)	28882 (21302)			9,1 (132)	40500 (29871)	96,2 (5870)	
	run	6669 (4919)			2807 (2070)	4847 (3575)	6460 (4765)	8043 (5932)	9612 (7089)	11175 (8242)	14287 (10538)						
	end	9355 (6900)			2807 (2070)	5734 (4229)	8661 (6388)	11587 (8546)	14514 (10705)	17441 (12864)	23294 (17181)						
LPS-30A-635X-F04-2	start	15076 (11119)		9750 (7191)	13003 (9591)	16255 (11989)	19508 (14388)	22760 (16787)	26012 (19185)	29265 (21585)	35770 (26383)			7,7 (112)	40500 (29871)	113,4 (6920)	
	run	6668 (4918)		3009 (2219)	5251 (3873)	7136 (5263)	8992 (6632)	10835 (7991)	12671 (9346)	14503 (10697)	18159 (13393)						
	end	9354 (6899)		3009 (2219)	6458 (4763)	9906 (7306)	13355 (9850)	16803 (12393)	20252 (14937)	23700 (17480)	30597 (22567)						
LPS-30A-685X-F04-2	start	15075 (11119)	9159 (6755)	12943 (9546)	16728 (12338)	20513 (15130)	24298 (17921)	28082 (20712)	31867 (23504)	35652 (26296)				6,6 (96)	40500 (29871)	131,9 (8049)	
	run	6668 (4918)	2382 (1757)	5216 (3847)	7408 (5464)	9563 (7053)	11703 (8632)	13837 (10206)	15966 (11776)	18093 (13345)							
	end	9353 (6898)	2382 (1757)	6395 (4717)	10408 (7677)	14421 (10636)	18434 (13596)	22446 (16555)	26459 (19515)	30472 (22475)							

Actuator Model	METRIC/IMPERIAL TORQUE TABLE																
	Spring Torque	barg (PSIG)	barg (PSIG)	barg (PSIG)	barg (PSIG)	barg (PSIG)	barg (PSIG)	barg (PSIG)	barg (PSIG)	barg (PSIG)	barg (PSIG)	barg (PSIG)	barg (PSIG)	barg (PSIG)	Max Operating Pressure	Max Operating Torque	Swept Volume*
		2.5 (36)	3 (44)	3.5 (51)	4 (58)	4.5 (65)	5 (73)	5.5 (80)	6 (87)	7 (102)	9 (131)	10 (145)	12 (174)				
		Output Torque Nm (ft-lb) @ supply pressure barg (PSIG)															
Nm (ft-lb)	Nm (ft-lb)	Nm (ft-lb)	Nm (ft-lb)	Nm (ft-lb)	Nm (ft-lb)	Nm (ft-lb)	Nm (ft-lb)	Nm (ft-lb)	Nm (ft-lb)	Nm (ft-lb)	Nm (ft-lb)	Nm (ft-lb)	Nm (ft-lb)	barg (PSIG)	Nm (ft-lb)	L (cu in)	
LPS-30A-535X-F04-4	start	16475 (12151)					10020 (7390)	12329 (9093)	14638 (10796)	16946 (12499)	21564 (15905)	30799 (22716)	35416 (26121)				
	run	7275 (5366)					2569 (1895)	4597 (3391)	5975 (4407)	7315 (5395)	9953 (7341)	15170 (11189)	17768 (13105)	11,1 (161)	40500 (29871)	80,5 (4912)	
	end	10180 (7508)					2569 (1895)	5017 (3700)	7465 (5506)	9912 (7311)	14808 (10922)	24600 (18144)	29495 (21754)				
LPS-30A-585X-F04-4	start	16539 (12199)			8628 (6364)	11389 (8400)	14149 (10436)	16910 (12472)	19670 (14508)	22430 (16543)	27951 (20616)						
	run	7311 (5392)			1093 (806)	4008 (2956)	5688 (4195)	7294 (5380)	8875 (6546)	10445 (7704)	13566 (10006)			9,2 (133)	40500 (29871)	96,2 (5870)	
	end	10248 (7559)			1093 (806)	4020 (2965)	6947 (5124)	9874 (7283)	12800 (9441)	15727 (11600)	21581 (15917)						
LPS-30A-635X-F04-4	start	16538 (12198)		8819 (6505)	12072 (8904)	15324 (11302)	18577 (13702)	21829 (16100)	25081 (18499)	28334 (20898)	34839 (25696)						
	run	7311 (5392)		1296 (956)	4439 (3274)	6376 (4703)	8251 (6086)	10104 (7452)	11946 (8811)	13782 (10165)	17443 (12865)			7,8 (113)	40500 (29871)	113,4 (6920)	
	end	10247 (7558)		1296 (956)	4744 (3499)	8192 (6042)	11641 (8586)	15089 (11129)	18538 (13673)	21986 (16216)	28883 (21303)						
LPS-30A-685X-F04-4	start	16537 (12197)		12012 (8860)	15797 (11651)	19582 (14443)	23367 (17235)	27152 (20026)	30936 (22817)	34721 (25609)							
	run	7310 (5392)		4402 (3247)	6650 (4905)	8825 (6509)	10975 (8095)	13115 (9673)	15248 (11246)	17377 (12817)				6,7 (97)	40500 (29871)	131,9 (8049)	
	end	10246 (7557)		4681 (3453)	8694 (6412)	12707 (9372)	16720 (12332)	20733 (15292)	24746 (18252)	28758 (21211)							
LPS-30A-535X-F04-5	start	17417 (12846)					9180 (6771)	11488 (8473)	13797 (10176)	16106 (11879)	20723 (15284)	29958 (22096)	34575 (25501)				
	run	7757 (5721)					1465 (1081)	3913 (2886)	5408 (3989)	6763 (4988)	9414 (6943)	14639 (10797)	17239 (12715)	11,2 (162)	40500 (29871)	80,5 (4912)	
	end	10987 (8104)					1465 (1081)	3913 (2886)	6361 (4692)	8809 (6497)	13704 (10108)	23496 (17330)	28392 (20941)				
LPS-30A-585X-F04-5	start	17481 (12893)				10548 (7780)	13309 (9816)	16069 (11852)	18829 (13888)	21590 (15924)	27111 (19996)						
	run	7793 (5748)				2916 (2151)	5116 (3773)	6742 (4973)	8333 (6146)	9907 (7307)	13033 (9613)			9,4 (136)	40500 (29871)	96,2 (5870)	
	end	11054 (8153)				2916 (2151)	5843 (4310)	8770 (6468)	11697 (8627)	14623 (10785)	20477 (15103)						
LPS-30A-635X-F04-5	start	17480 (12893)			11231 (8284)	14484 (10683)	17736 (13081)	20988 (15480)	24241 (17879)	27493 (20278)	33998 (25076)						
	run	7793 (5748)			3640 (2685)	5815 (4289)	7705 (5683)	9565 (7055)	11411 (8416)	13249 (9772)	16914 (12475)			7,9 (115)	40500 (29871)	113,4 (6920)	
	end	11053 (8152)			3640 (2685)	7089 (5229)	10537 (7772)	13986 (10316)	17434 (12859)	20882 (15402)	27779 (20489)						
LPS-30A-685X-F04-5	start	17479 (12892)		11172 (8240)	14956 (11031)	18741 (13823)	22526 (16614)	26311 (19406)	30096 (22198)	33880 (24989)							
	run	7792 (5747)		3577 (2638)	6093 (4494)	8282 (6108)	10439 (7699)	12582 (9280)	14717 (10855)	16848 (12426)				6,8 (99)	40500 (29871)	131,9 (8049)	
	end	11052 (8152)		3577 (2638)	7590 (5598)	11603 (8558)	15616 (11518)	19629 (14478)	23642 (17437)	27655 (20397)							

Actuator Model	METRIC/IMPERIAL TORQUE TABLE																
	Spring Torque	barg (PSIG)	barg (PSIG)	barg (PSIG)	barg (PSIG)	barg (PSIG)	barg (PSIG)	barg (PSIG)	barg (PSIG)	barg (PSIG)	barg (PSIG)	barg (PSIG)	barg (PSIG)	barg (PSIG)	Max Operating Pressure	Max Operating Torque	Swept Volume*
		2.5 (36)	3 (44)	3.5 (51)	4 (58)	4.5 (65)	5 (73)	5.5 (80)	6 (87)	7 (102)	9 (131)	10 (145)	12 (174)				
		Output Torque Nm (ft-lb) @ supply pressure barg (PSIG)															
Nm (ft-lb)	Nm (ft-lb)	Nm (ft-lb)	Nm (ft-lb)	Nm (ft-lb)	Nm (ft-lb)	Nm (ft-lb)	Nm (ft-lb)	Nm (ft-lb)	Nm (ft-lb)	Nm (ft-lb)	Nm (ft-lb)	Nm (ft-lb)	Nm (ft-lb)	barg (PSIG)	Nm (ft-lb)	L (cu in)	
LPS-30A-535X-F05-2	start	19389 (14301)						5982 (4412)	8290 (6114)	10599 (7817)	15216 (11223)	24451 (18034)	29068 (21439)		12 (174)	40500 (29871)	80,5 (4912)
	run	9759 (7198)						1602 (1182)	3326 (2453)	4665 (3441)	7288 (5375)	12484 (9208)	15079 (11122)				
	end	16269 (11999)						1602 (1182)	4050 (2987)	6498 (4793)	11394 (8404)	21185 (15625)	26081 (19236)				
LPS-30A-585X-F05-2	start	19453 (14348)					7802 (5754)	10562 (7790)	13323 (9827)	16083 (11862)	21604 (15934)	32645 (24078)		10,4 (151)	40500 (29871)	96,2 (5870)	
	run	9795 (7224)					3036 (2239)	4644 (3425)	6216 (4585)	7777 (5736)	10884 (8028)	17089 (12604)					
	end	16337 (12050)					3532 (2605)	6459 (4764)	9386 (6923)	12313 (9082)	18166 (13399)	29873 (22033)					
LPS-30A-635X-F05-2	start	19452 (14347)			5724 (4222)	8977 (6621)	12229 (9020)	15482 (11419)	18734 (13817)	21986 (16216)	28491 (21014)			8,8 (128)	40500 (29871)	113,4 (6920)	
	run	9795 (7224)			1330 (981)	3728 (2750)	5595 (4127)	7438 (5486)	9271 (6838)	11099 (8186)	14755 (10883)						
	end	16336 (12049)			1330 (981)	4778 (3524)	8227 (6068)	11675 (8611)	15124 (11155)	18572 (13698)	25469 (18785)						
LPS-30A-685X-F05-2	start	19451 (14346)	5665 (4178)	9450 (6970)	13234 (9761)	17019 (12553)	20804 (15344)	24589 (18136)	28374 (20928)	35943 (26510)				7,6 (110)	40500 (29871)	131,9 (8049)	
	run	9794 (7224)	1267 (934)	4003 (2952)	6166 (4548)	8305 (6125)	10435 (7696)	12562 (9265)	14689 (10834)	18943 (13972)							
	end	16335 (12048)	1267 (934)	5280 (3894)	9293 (6854)	13306 (9814)	17318 (12773)	21331 (15733)	25344 (18693)	33370 (24612)							
LPS-30A-535X-F05-3	start	22611 (16677)								7969 (5878)	12587 (9284)	21822 (16095)	26439 (19500)	35674 (26312)	12 (174)	40500 (29871)	80,5 (4912)
	run	11333 (8359)								2723 (2008)	5510 (4064)	10743 (7924)	13340 (9839)	18530 (13667)			
	end	18792 (13860)								2723 (2008)	7618 (5619)	17410 (12841)	22306 (16452)	32097 (23673)			
LPS-30A-585X-F05-3	start	22674 (16723)						7933 (5851)	10693 (7887)	13453 (9922)	18974 (13994)	30016 (22139)	35537 (26211)		10,8 (157)	40500 (29871)	96,2 (5870)
	run	11369 (8385)						2684 (1980)	4415 (3256)	6007 (4431)	9138 (6740)	15350 (11322)	18452 (13609)				
	end	18859 (13910)						2684 (1980)	5611 (4138)	8538 (6297)	14391 (10614)	26098 (19249)	31952 (23567)				
LPS-30A-635X-F05-3	start	22673 (16723)			6347 (4681)	9600 (7081)	12852 (9479)	16104 (11878)	19357 (14277)	25862 (19075)				9,2 (133)	40500 (29871)	113,4 (6920)	
	run	11368 (8385)			1003 (740)	3771 (2781)	5662 (4176)	7515 (5543)	9354 (6899)	13016 (9600)							
	end	18858 (13909)			1003 (740)	4451 (3283)	7900 (5827)	11348 (8370)	14797 (10914)	21694 (16001)							
LPS-30A-685X-F05-3	start	22672 (16722)			6820 (5030)	10605 (7822)	14390 (10614)	18174 (13404)	21959 (16196)	25744 (18988)	33314 (24571)			7,9 (115)	40500 (29871)	131,9 (8049)	
	run	11368 (8385)			1504 (1109)	4364 (3219)	6541 (4824)	8686 (6406)	10821 (7981)	12949 (9551)	17203 (12688)						
	end	18857 (13908)			1504 (1109)	5517 (4069)	9530 (7029)	13543 (9989)	17556 (12949)	21569 (15908)	29595 (21828)						

Actuator Model	METRIC/IMPERIAL TORQUE TABLE																
	Spring Torque	barg (PSIG)	barg (PSIG)	barg (PSIG)	barg (PSIG)	barg (PSIG)	barg (PSIG)	barg (PSIG)	barg (PSIG)	barg (PSIG)	barg (PSIG)	barg (PSIG)	barg (PSIG)	barg (PSIG)	Max Operating Pressure	Max Operating Torque	Swept Volume*
		2.5 (36)	3 (44)	3.5 (51)	4 (58)	4.5 (65)	5 (73)	5.5 (80)	6 (87)	7 (102)	9 (131)	10 (145)	12 (174)				
		Output Torque Nm (ft-lb) @ supply pressure barg (PSIG)															
Nm (ft-lb)	Nm (ft-lb)	Nm (ft-lb)	Nm (ft-lb)	Nm (ft-lb)	Nm (ft-lb)	Nm (ft-lb)	Nm (ft-lb)	Nm (ft-lb)	Nm (ft-lb)	Nm (ft-lb)	Nm (ft-lb)	Nm (ft-lb)	Nm (ft-lb)	barg (PSIG)	Nm (ft-lb)	L (cu in)	
LPS-35A-685X-F02-2	start	24037 (17729)		8228 (6069)	12906 (9519)	17583 (12969)	22260 (16418)	26937 (19868)	31615 (23318)	36292 (26768)	45646 (33667)	64355 (47466)			10,1 (146)	75000 (55317)	164,6 (10045)
	run	11788 (8694)		1566 (1155)	5249 (3871)	7946 (5861)	10599 (7817)	13238 (9764)	15869 (11704)	18497 (13643)	23754 (17520)	34268 (25275)					
	end	19009 (14020)		1566 (1155)	6525 (4813)	11484 (8470)	16443 (12128)	21402 (15785)	26361 (19443)	31320 (23100)	41239 (30416)	61075 (45047)					
LPS-35A-735X-F02-2	start	24036 (17728)		12473 (9200)	17858 (13171)	23243 (17143)	28628 (21115)	34013 (25087)	39398 (29058)	44783 (33030)	55553 (40974)			8,8 (128)	75000 (55317)	189,6 (11570)	
	run	11788 (8694)		4995 (3684)	8103 (5976)	11155 (8227)	14190 (10466)	17217 (12699)	20243 (14930)	23269 (17162)	29322 (21627)						
	end	19007 (14019)		6066 (4474)	11776 (8686)	17485 (12896)	23195 (17108)	28904 (21318)	34614 (25530)	40324 (29741)	51743 (38164)						
LPS-35A-785X-F02-2	start	24034 (17727)	10875 (8021)	17017 (12551)	23160 (17082)	29302 (21612)	35445 (26143)	41587 (30673)	47730 (35204)	53872 (39734)	66158 (48796)			7,7 (112)	75000 (55317)	216,2 (13193)	
	run	11787 (8694)	4035 (2976)	7623 (5622)	11108 (8193)	14570 (10746)	18021 (13292)	21473 (15838)	24925 (18384)	28377 (20930)	35281 (26022)						
	end	19006 (14018)	4371 (3224)	10884 (8028)	17397 (12831)	23910 (17635)	30422 (22438)	36935 (27242)	43448 (32046)	49961 (36849)	62986 (46456)						
LPS-35A-835X-F02-2	start	24032 (17725)	14910 (10997)	21860 (16123)	28810 (21249)	35760 (26375)	42710 (31501)	49660 (36627)	56610 (41753)	63560 (46879)				6,8 (99)	75000 (55317)	244,7 (14933)	
	run	11786 (8693)	6414 (4731)	10373 (7651)	14292 (10541)	18198 (13422)	22104 (16303)	26010 (19184)	29915 (22064)	33821 (24945)							
	end	19004 (14017)	8650 (6380)	16019 (11815)	23388 (17250)	30756 (22684)	38125 (28120)	45494 (33555)	52863 (38990)	60232 (44425)							
LPS-35A-885X-F02-2	start	24031 (17724)	19195 (14157)	27002 (19916)	34809 (25674)	42616 (31432)	50424 (37191)	58231 (42949)	66038 (48707)					6 (87)	75000 (55317)	274,8 (16769)	
	run	11785 (8692)	8863 (6537)	13274 (9790)	17664 (13028)	22052 (16265)	26439 (19500)	30826 (22736)	35214 (25972)								
	end	19002 (14015)	13193 (9731)	21470 (15835)	29748 (21941)	38026 (28046)	46304 (34152)	54582 (40258)	62859 (46362)								
LPS-35A-935X-F02-2	start	24029 (17723)	23728 (17501)	32443 (23929)	41157 (30356)	49871 (36783)	58586 (43211)	67300 (49638)						5,4 (78)	75000 (55317)	306,8 (18722)	
	run	11784 (8691)	11429 (8430)	16334 (12047)	21231 (15659)	26128 (19271)	31026 (22884)	35923 (26495)									
	end	19000 (14014)	18000 (13276)	27239 (20090)	36479 (26905)	45718 (33720)	54958 (40535)	64197 (47349)									
LPS-35A-685X-F03-1	start	29088 (21454)				13877 (10235)	18554 (13685)	23232 (17135)	27909 (20585)	32586 (24034)	41941 (30934)	60650 (44733)		10,5 (152)	75000 (55317)	164,6 (10045)	
	run	14147 (10434)				5144 (3794)	7908 (5833)	10588 (7809)	13241 (9766)	15882 (11714)	21144 (15595)	31658 (23350)					
	end	22564 (16642)				5565 (4105)	10524 (7762)	15484 (11420)	20443 (15078)	25402 (18736)	35320 (26051)	55157 (40682)					
LPS-35A-735X-F03-1	start	29086 (21453)			14153 (10439)	19538 (14410)	24922 (18381)	30308 (22354)	35692 (26325)	41078 (30298)	51847 (38240)			9,1 (132)	75000 (55317)	189,6 (11570)	
	run	14146 (10434)			5313 (3919)	8476 (6252)	11550 (8519)	14596 (10765)	17631 (13004)	20660 (15238)	26712 (19702)						
	end	22562 (16641)			5857 (4320)	11567 (8531)	17276 (12742)	22986 (16954)	28695 (21164)	34405 (25376)	45824 (33798)						

Actuator Model	METRIC/IMPERIAL TORQUE TABLE																				
	Spring Torque	barg (PSIG)	barg (PSIG)	barg (PSIG)	barg (PSIG)	barg (PSIG)	barg (PSIG)	barg (PSIG)	barg (PSIG)	barg (PSIG)	barg (PSIG)	barg (PSIG)	barg (PSIG)	barg (PSIG)	Max Operating Pressure	Max Operating Torque	Swept Volume*				
		2.5 (36)	3 (44)	3.5 (51)	4 (58)	4.5 (65)	5 (73)	5.5 (80)	6 (87)	7 (102)	9 (131)	10 (145)	12 (174)								
		Output Torque Nm (ft-lb) @ supply pressure barg (PSIG)																			
Nm (ft-lb)	Nm (ft-lb)	Nm (ft-lb)	Nm (ft-lb)	Nm (ft-lb)	Nm (ft-lb)	Nm (ft-lb)	Nm (ft-lb)	Nm (ft-lb)	Nm (ft-lb)	Nm (ft-lb)	Nm (ft-lb)	Nm (ft-lb)	Nm (ft-lb)	barg (PSIG)	Nm (ft-lb)	L (cu in)					
LPS-35A-785X-F03-1	start	29085 (21452)		13312 (9818)	19454 (14349)	25597 (18879)	31739 (23409)	37882 (27940)	44024 (32470)	50167 (37001)	62452 (46062)				8 (116)	75000 (55317)	216,2 (13193)				
	run	14145 (10433)		4792 (3534)	8427 (6215)	11932 (8801)	15405 (11362)	18864 (13913)	22316 (16459)	25767 (19005)	32671 (24097)										
	end	22561 (16640)		4966 (3663)	11478 (8466)	17991 (13269)	24504 (18073)	31016 (22876)	37529 (27680)	44042 (32484)	57068 (42091)										
LPS-35A-835X-F03-1	start	29083 (21450)	11204 (8264)	18154 (13390)	25104 (18516)	32054 (23642)	39004 (28768)	45954 (33894)	52904 (39020)	59854 (44146)					7 (102)	75000 (55317)	244,7 (14933)				
	run	14144 (10432)	2731 (2014)	7677 (5662)	11652 (8594)	15582 (11493)	19494 (14378)	23400 (17259)	27306 (20140)	31211 (23020)											
	end	22559 (16639)	2731 (2014)	10100 (7449)	17469 (12884)	24838 (18320)	32207 (23755)	39576 (29190)	46944 (34624)	54313 (40059)											
LPS-35A-885X-F03-1	start	29081 (21449)	15489 (11424)	23296 (17182)	31103 (22940)	38910 (28698)	46718 (34457)	54525 (40216)	62332 (45974)						6,3 (91)	75000 (55317)	274,8 (16769)				
	run	14143 (10431)	6116 (4511)	10625 (7837)	15046 (11097)	19442 (14340)	23829 (17575)	28216 (20811)	32604 (24047)												
	end	22557 (16637)	7274 (5365)	15552 (11471)	23830 (17576)	32107 (23681)	40385 (29786)	48663 (35892)	56941 (41997)												
LPS-35A-935X-F03-1	start	29080 (21448)	20023 (14768)	28737 (21195)	37451 (27622)	46166 (34050)	54880 (40477)	63594 (46904)							5,6 (81)	75000 (55317)	306,8 (18722)				
	run	14142 (10431)	8754 (6457)	13709 (10111)	18622 (13735)	23519 (17347)	28416 (20959)	33313 (24570)													
	end	22555 (16636)	12081 (8910)	21321 (15726)	30560 (22540)	39800 (29355)	49039 (36169)	58279 (42984)													
LPS-35A-685X-F03-2	start	34254 (25264)					14418 (10634)	19096 (14084)	23773 (17534)	28450 (20984)	37805 (27883)	56514 (41683)	65868 (48582)		10,9 (158)	75000 (55317)	164,6 (10045)				
	run	16648 (12279)					4470 (3297)	7694 (5675)	10407 (7676)	13077 (9645)	18370 (13549)	28892 (21310)	34148 (25186)								
	end	26531 (19568)					4470 (3297)	9429 (6954)	14388 (10612)	19347 (14270)	29266 (21585)	49102 (36216)	59020 (43531)								
LPS-35A-735X-F03-2	start	34253 (25264)				15402 (11360)	20787 (15332)	26172 (19303)	31556 (23274)	36942 (27247)	47712 (35191)				9,5 (138)	75000 (55317)	189,6 (11570)				
	run	16648 (12279)				5451 (4020)	8683 (6404)	11780 (8688)	14839 (10945)	17883 (13190)	23945 (17661)										
	end	26530 (19567)				5512 (4065)	11222 (8277)	16931 (12488)	22641 (16699)	28350 (20910)	39770 (29333)										
LPS-35A-785X-F03-2	start	34251 (25262)			15318 (11298)	21461 (15829)	27603 (20359)	33746 (24890)	39888 (29420)	46031 (33951)	58316 (43012)				8,3 (120)	75000 (55317)	216,2 (13193)				
	run	16647 (12278)			5397 (3981)	9074 (6693)	12595 (9290)	16078 (11859)	19544 (14415)	23001 (16965)	29904 (22056)										
	end	26528 (19566)			5424 (4001)	11937 (8804)	18449 (13607)	24962 (18411)	31475 (23215)	37988 (28018)	51013 (37625)										
LPS-35A-835X-F03-2	start	34250 (25261)		14018 (10339)	20968 (15465)	27918 (20591)	34868 (25717)	41818 (30843)	48768 (35969)	55718 (41095)					7,3 (106)	75000 (55317)	244,7 (14933)				
	run	16646 (12277)		4046 (2984)	8788 (6482)	12774 (9422)	16712 (12326)	20631 (15217)	24539 (18099)	28445 (20980)											
	end	26526 (19565)		4046 (2984)	11415 (8419)	18783 (13854)	26152 (19289)	33521 (24724)	40890 (30159)	48259 (35594)											

Actuator Model	METRIC/IMPERIAL TORQUE TABLE																			
	Spring Torque	barg (PSIG)	barg (PSIG)	barg (PSIG)	barg (PSIG)	barg (PSIG)	barg (PSIG)	barg (PSIG)	barg (PSIG)	barg (PSIG)	barg (PSIG)	barg (PSIG)	barg (PSIG)	barg (PSIG)	Max Operating Pressure	Max Operating Torque	Swept Volume*			
		2.5 (36)	3 (44)	3.5 (51)	4 (58)	4.5 (65)	5 (73)	5.5 (80)	6 (87)	7 (102)	9 (131)	10 (145)	12 (174)							
		Output Torque Nm (ft-lb) @ supply pressure barg (PSIG)																		
Nm (ft-lb)	Nm (ft-lb)	Nm (ft-lb)	Nm (ft-lb)	Nm (ft-lb)	Nm (ft-lb)	Nm (ft-lb)	Nm (ft-lb)	Nm (ft-lb)	Nm (ft-lb)	Nm (ft-lb)	Nm (ft-lb)	Nm (ft-lb)	Nm (ft-lb)	barg (PSIG)	Nm (ft-lb)	L (cu in)				
LPS-35A-885X-F03-2	start	34248 (25260)		19160 (14132)	26967 (19890)	34775 (25649)	42582 (31407)	50389 (37165)	58196 (42923)	66004 (48682)					6,5 (94)	75000 (55317)	274,8 (16769)			
	run	16645 (12277)		7732 (5703)	12234 (9023)	16659 (12287)	21061 (15534)	25450 (18771)	29837 (22007)	34224 (25242)										
	end	26525 (19564)		9497 (7005)	17775 (13110)	26053 (19216)	34331 (25321)	42608 (31426)	50886 (37532)	59164 (43637)										
LPS-35A-935X-F03-2	start	34246 (25259)	15887 (11718)	24601 (18145)	33315 (24572)	42030 (31000)	50744 (37427)	59458 (43854)							5,8 (84)	75000 (55317)	306,8 (18722)			
	run	16644 (12276)	5759 (4248)	10882 (8026)	15835 (11679)	20750 (15304)	25649 (18918)	30546 (22530)												
	end	26523 (19562)	6027 (4445)	15266 (11260)	24506 (18075)	33745 (24889)	42985 (31704)	52224 (38518)												
LPS-35A-685X-F03-3	start	38238 (28203)						16100 (11875)	20777 (15324)	25454 (18774)	34809 (25674)	53518 (39473)	62872 (46372)		11,2 (162)	75000 (55317)	164,6 (10045)			
	run	18527 (13665)						4761 (3512)	8192 (6042)	10923 (8056)	16262 (11994)	26813 (19776)	32070 (23654)							
	end	29405 (21688)						4761 (3512)	9720 (7169)	14679 (10827)	24597 (18142)	44434 (32773)	54352 (40088)							
LPS-35A-735X-F03-3	start	38236 (28201)					17791 (13122)	23176 (17094)	28561 (21065)	33946 (25037)	44716 (32981)	66256 (48868)		9,8 (142)	75000 (55317)	189,6 (11570)				
	run	18526 (13664)					6372 (4700)	9602 (7082)	12707 (9372)	15773 (11634)	21859 (16122)	33971 (25056)								
	end	29404 (21687)					6554 (4834)	12263 (9045)	17972 (13255)	23682 (17467)	35101 (25889)	57939 (42734)								
LPS-35A-785X-F03-3	start	38235 (28201)				18465 (13619)	24607 (18149)	30750 (22680)	36892 (27210)	43035 (31741)	55320 (40802)			8,6 (125)	75000 (55317)	216,2 (13193)				
	run	18525 (13663)				6794 (5011)	10434 (7696)	13957 (10294)	17443 (12865)	20913 (15425)	27826 (20523)									
	end	29402 (21686)				7268 (5361)	13781 (10164)	20294 (14968)	26806 (19771)	33319 (24575)	46345 (34182)									
LPS-35A-835X-F03-3	start	38233 (28199)			17973 (13256)	24922 (18381)	31872 (23508)	38822 (28634)	45772 (33760)	52722 (38886)	66622 (49138)			7,6 (110)	75000 (55317)	244,7 (14933)				
	run	18524 (13663)			6487 (4785)	10616 (7830)	14595 (10765)	18534 (13670)	22454 (16561)	26366 (19447)	34177 (25208)									
	end	29400 (21684)			6746 (4976)	14115 (10411)	21484 (15846)	28853 (21281)	36222 (26716)	43590 (32150)	58328 (43020)									
LPS-35A-885X-F03-3	start	38231 (28198)		16164 (11922)	23972 (17681)	31779 (23439)	39586 (29197)	47393 (34955)	55200 (40713)	63008 (46472)				6,7 (97)	75000 (55317)	274,8 (16769)				
	run	18523 (13662)		4829 (3562)	10065 (7424)	14542 (10726)	18965 (13988)	23367 (17235)	27758 (20473)	32146 (23710)										
	end	29398 (21683)		4829 (3562)	13107 (9667)	21384 (15772)	29662 (21878)	37940 (27983)	46218 (34089)	54496 (40194)										
LPS-35A-935X-F03-3	start	38230 (28197)		21605 (15935)	30319 (22362)	39034 (28790)	47748 (35217)	56462 (41644)	65177 (48072)					6 (87)	75000 (55317)	306,8 (18722)				
	run	18522 (13661)		8682 (6404)	13712 (10113)	18653 (13758)	23567 (17382)	28467 (20996)	33364 (24608)											
	end	29397 (21682)		10598 (7817)	19837 (14631)	29077 (21446)	38316 (28260)	47556 (35075)	56795 (41890)											

Actuator Model	METRIC/IMPERIAL TORQUE TABLE																
	Spring Torque	barg (PSIG)	barg (PSIG)	barg (PSIG)	barg (PSIG)	barg (PSIG)	barg (PSIG)	barg (PSIG)	barg (PSIG)	barg (PSIG)	barg (PSIG)	barg (PSIG)	barg (PSIG)	barg (PSIG)	Max Operating Pressure	Max Operating Torque	Swept Volume*
		2.5 (36)	3 (44)	3.5 (51)	4 (58)	4.5 (65)	5 (73)	5.5 (80)	6 (87)	7 (102)	9 (131)	10 (145)	12 (174)				
		Output Torque Nm (ft-lb) @ supply pressure barg (PSIG)															
Nm (ft-lb)	Nm (ft-lb)	Nm (ft-lb)	Nm (ft-lb)	Nm (ft-lb)	Nm (ft-lb)	Nm (ft-lb)	Nm (ft-lb)	Nm (ft-lb)	Nm (ft-lb)	Nm (ft-lb)	Nm (ft-lb)	Nm (ft-lb)	Nm (ft-lb)	barg (PSIG)	Nm (ft-lb)	L (cu in)	
LPS-35A-685X-F03-4	start	45753 (33746)								19775 (14585)	29129 (21484)	47838 (35283)	57193 (42183)		12 (174)	75000 (55317)	164,6 (10045)
	run	22077 (16283)								5872 (4331)	12188 (8989)	22858 (16859)	28134 (20751)				
	end	34854 (25707)								5872 (4331)	15790 (11646)	35627 (26277)	45545 (33592)				
LPS-35A-735X-F03-4	start	45752 (33745)						17496 (12904)	22881 (16876)	28266 (20848)	39036 (28791)	60576 (44678)		10,3 (149)	75000 (55317)	189,6 (11570)	
	run	22076 (16282)						3456 (2549)	8478 (6253)	11685 (8618)	17870 (13180)	30040 (22156)					
	end	34852 (25705)						3456 (2549)	9165 (6760)	14875 (10971)	26294 (19393)	49132 (36238)					
LPS-35A-785X-F03-4	start	45750 (33743)					18928 (13961)	25070 (18491)	31213 (23021)	37355 (27552)	49640 (36613)			9 (131)	75000 (55317)	216,2 (13193)	
	run	22076 (16282)					4974 (3669)	9802 (7230)	13394 (9879)	16914 (12475)	23876 (17610)						
	end	34851 (25705)					4974 (3669)	11486 (8472)	17999 (13275)	24512 (18079)	37538 (27687)						
LPS-35A-835X-F03-4	start	45749 (33743)			19243 (14193)	26193 (19319)	33143 (24445)	40093 (29571)	47043 (34697)	60942 (44948)				8 (116)	75000 (55317)	244,7 (14933)	
	run	22075 (16282)			5308 (3915)	10469 (7722)	14504 (10698)	18471 (13623)	22409 (16528)	30246 (22308)							
	end	34849 (25703)			5308 (3915)	12677 (9350)	20046 (14785)	27414 (20219)	34783 (25655)	49521 (36525)							
LPS-35A-885X-F03-4	start	45747 (33741)		18292 (13491)	26099 (19250)	33906 (25008)	41714 (30767)	49521 (36525)	57328 (42283)					7,1 (103)	75000 (55317)	274,8 (16769)	
	run	22074 (16281)		4300 (3172)	10413 (7680)	14943 (11021)	19392 (14303)	23809 (17561)	28210 (20807)								
	end	34847 (25702)		4300 (3172)	12577 (9276)	20855 (15382)	29133 (21487)	37411 (27593)	45688 (33698)								
LPS-35A-935X-F03-4	start	45745 (33740)	15925 (11746)	24640 (18174)	33354 (24601)	42068 (31028)	50783 (37456)	59497 (43883)						6,3 (91)	75000 (55317)	306,8 (18722)	
	run	22073 (16280)	1791 (1321)	9545 (7040)	14626 (10788)	19593 (14451)	24522 (18086)	29432 (21708)									
	end	34845 (25700)	1791 (1321)	11030 (8135)	20270 (14950)	29509 (21765)	38749 (28580)	47988 (35394)									
LPS-40A-1050X-F03-3	start	47173 (34793)	32386 (23887)	45853 (33819)	59320 (43752)	72787 (53685)	86255 (63618)	99722 (73551)	113189 (83484)	126657 (93417)				6.8 (99)	150000 (110634)	486.4 (29682)	
	run	22078 (16284)	13069 (9639)	20832 (15365)	28464 (20994)	36056 (26593)	43626 (32177)	51194 (37759)	58762 (43341)	66330 (48922)							
	end	33474 (24689)	16054 (11841)	30333 (22372)	44612 (32904)	58890 (43435)	73170 (53967)	87448 (64498)	101727 (75030)	116006 (85562)							
LPS-40A-1200X-F03-3	start	47165 (34787)	52990 (39083)	70580 (52057)	88170 (65031)	105760 (78004)	123350 (90978)							5.2 (75)	150000 (110634)	635.3 (38768)	
	run	22074 (16281)	24885 (18354)	34813 (25677)	44703 (32971)	54588 (40262)	64472 (47552)										
	end	33465 (24682)	37900 (27954)	56550 (41709)	75201 (55465)	93851 (69221)	112501 (82976)										

Actuator Model	METRIC/IMPERIAL TORQUE TABLE															Max Operating Pressure	Max Operating Torque	Swept Volume*	
	Spring Torque	barg (PSIG)	barg (PSIG)	barg (PSIG)	barg (PSIG)	barg (PSIG)	barg (PSIG)	barg (PSIG)	barg (PSIG)	barg (PSIG)	barg (PSIG)	barg (PSIG)	barg (PSIG)	barg (PSIG)	barg (PSIG)				
		2.5 (36)	3 (44)	3.5 (51)	4 (58)	4.5 (65)	5 (73)	5.5 (80)	6 (87)	7 (102)	9 (131)	10 (145)	12 (174)						
		Output Torque Nm (ft-lb) @ supply pressure barg (PSIG)																	
Nm (ft-lb)	Nm (ft-lb)	Nm (ft-lb)	Nm (ft-lb)	Nm (ft-lb)	Nm (ft-lb)	Nm (ft-lb)	Nm (ft-lb)	Nm (ft-lb)	Nm (ft-lb)	Nm (ft-lb)	Nm (ft-lb)	Nm (ft-lb)	Nm (ft-lb)	Nm (ft-lb)	barg (PSIG)	Nm (ft-lb)	L (cu in)		
LPS-40A-835X-F03-3	start	47183 (34800)			24676 (18200)	33193 (24482)	41710 (30764)	50227 (37045)	58743 (43327)	67260 (49608)	84294 (62172)	118361 (87298)							
	run	22084 (16288)			7880 (5812)	13543 (9989)	18467 (13621)	23319 (17199)	28139 (20754)	32943 (24297)	42524 (31364)	61669 (45485)				10,8 (157)	150000 (110634)	307,6 (18771)	
	end	33484 (24696)			7880 (5812)	16910 (12472)	25940 (19132)	34970 (25793)	44000 (32453)	53030 (39113)	71090 (52433)	107211 (79075)							
LPS-40A-885X-F03-3	start	47181 (34799)		22460 (16566)	32028 (23623)	41595 (30679)	51162 (37735)	60730 (44792)	70297 (51848)	79864 (58905)	98999 (73018)								
	run	22083 (16288)		5530 (4079)	12859 (9484)	18401 (13572)	23849 (17590)	29261 (21582)	34653 (25559)	40035 (29528)	50788 (37459)					9,6 (139)	150000 (110634)	345,5 (21084)	
	end	33482 (24695)		5530 (4079)	15674 (11561)	25818 (19042)	35962 (26524)	46106 (34006)	56250 (41488)	66394 (48970)	86682 (63933)								
LPS-40A-985X-F03-3	start	47176 (34795)	24310 (17930)	36161 (26671)	48013 (35413)	59864 (44153)	71716 (52895)	83568 (61636)	95419 (70377)	107271 (79119)	130974 (96601)								
	run	22080 (16285)	7491 (5525)	15272 (11264)	22061 (16271)	28772 (21221)	35453 (26149)	42116 (31063)	48776 (35975)	55436 (40887)	68756 (50712)					7,8 (113)	150000 (110634)	428 (26118)	
	end	33477 (24691)	7491 (5525)	20057 (14793)	32623 (24061)	45189 (33330)	57755 (42598)	70320 (51865)	82886 (61133)	95452 (70402)	120584 (88938)								
LPS-40A-1050X-F04-1	start	59401 (43812)		37522 (27675)	50989 (37607)	64457 (47541)	77924 (57474)	91391 (67406)	104859 (77340)	118326 (87273)									
	run	27608 (20363)		14257 (10515)	22148 (16336)	29836 (22006)	37457 (27627)	45049 (33226)	52624 (38813)	60192 (44395)						7,1 (103)	150000 (110634)	486,4 (29682)	
	end	41465 (30583)		16003 (11803)	30282 (22335)	44561 (32866)	58840 (43398)	73119 (53930)	87398 (64461)	101677 (74993)									
LPS-40A-1200X-F04-1	start	59392 (43805)	44660 (32939)	62250 (45913)	79840 (58887)	97430 (71861)	115020 (84834)	132610 (97808)											
	run	27604 (20360)	18484 (13633)	28581 (21080)	38539 (28425)	48450 (35735)	58334 (43025)	68219 (50316)								5,4 (78)	150000 (110634)	635,3 (38768)	
	end	41457 (30577)	23571 (17385)	42221 (31141)	60871 (44896)	79522 (58652)	98172 (72408)	116822 (86163)											
LPS-40A-835X-F04-1	start	59411 (43819)					33379 (24619)	41896 (30901)	50413 (37183)	58929 (43464)	75963 (56027)	110030 (81154)	127064 (93717)						
	run	27614 (20367)					11611 (8564)	16865 (12439)	21816 (16091)	26692 (19687)	36350 (26810)	55530 (40957)	65103 (48017)				11,3 (164)	150000 (110634)	307,6 (18771)
	end	41476 (30591)					11611 (8564)	20641 (15224)	29671 (21884)	38701 (28544)	56761 (41865)	92881 (68505)	110942 (81826)						
LPS-40A-885X-F04-1	start	59409 (43818)				33264 (24534)	42832 (31591)	52399 (38647)	61966 (45704)	71534 (52761)	90668 (66873)	128937 (95099)							
	run	27613 (20366)				11489 (8474)	17415 (12845)	22957 (16932)	28420 (20961)	33846 (24963)	44642 (32926)	66156 (48794)				10,1 (146)	150000 (110634)	345,5 (21084)	
	end	41474 (30590)				11489 (8474)	21633 (15956)	31777 (23437)	41921 (30919)	52065 (38401)	72352 (53364)	112928 (83291)							
LPS-40A-985X-F04-1	start	59404 (43814)		27831 (20527)	39682 (29268)	51534 (38009)	63385 (46750)	75237 (55492)	87088 (64233)	98940 (72974)	122643 (90457)								
	run	27610 (20364)		5728 (4225)	15554 (11472)	22461 (16566)	29227 (21557)	35939 (26507)	42626 (31439)	49298 (36360)	62618 (46185)					8,1 (117)	150000 (110634)	428 (26118)	
	end	41469 (30586)		5728 (4225)	18294 (13493)	30860 (22761)	43425 (32029)	55991 (41297)	68557 (50565)	81123 (59833)	106254 (78369)								

Actuator Model	METRIC/IMPERIAL TORQUE TABLE																
	Spring Torque	barg (PSIG)	barg (PSIG)	barg (PSIG)	barg (PSIG)	barg (PSIG)	barg (PSIG)	barg (PSIG)	barg (PSIG)	barg (PSIG)	barg (PSIG)	barg (PSIG)	barg (PSIG)	barg (PSIG)	Max Operating Pressure	Max Operating Torque	Swept Volume*
		2.5 (36)	3 (44)	3.5 (51)	4 (58)	4.5 (65)	5 (73)	5.5 (80)	6 (87)	7 (102)	9 (131)	10 (145)	12 (174)				
		Output Torque Nm (ft-lb) @ supply pressure barg (PSIG)															
Nm (ft-lb)	Nm (ft-lb)	Nm (ft-lb)	Nm (ft-lb)	Nm (ft-lb)	Nm (ft-lb)	Nm (ft-lb)	Nm (ft-lb)	Nm (ft-lb)	Nm (ft-lb)	Nm (ft-lb)	Nm (ft-lb)	Nm (ft-lb)	Nm (ft-lb)	barg (PSIG)	Nm (ft-lb)	L (cu in)	
LPS-40A-1050X-F04-2	start	65575 (48366)		33037 (24367)	46504 (34300)	59971 (44232)	73438 (54165)	86906 (64098)	100373 (74031)	113840 (83964)					7.3 (106)	150000 (110634)	486.4 (29682)
	run	30476 (22478)		8767 (6466)	18764 (13840)	26561 (19590)	34229 (25246)	41846 (30864)	49438 (36464)	57014 (42051)							
	end	45768 (33757)		8767 (6466)	23046 (16998)	37325 (27529)	51604 (38061)	65883 (48593)	80162 (59124)	94441 (69656)							
LPS-40A-1200X-F04-2	start	65567 (48360)	40174 (29631)	57764 (42604)	75354 (55578)	92944 (68552)	110534 (81526)	128124 (94499)							5.6 (81)	150000 (110634)	635.3 (38768)
	run	30472 (22475)	14976 (11046)	25294 (18656)	35314 (26046)	45254 (33378)	55156 (40681)	65041 (47972)									
	end	45759 (33750)	16335 (12048)	34985 (25804)	53635 (39559)	72286 (53315)	90936 (67071)	109586 (80826)									
LPS-40A-835X-F04-2	start	65585 (48373)					28894 (21311)	37410 (27592)	45927 (33874)	54444 (40156)	71478 (52719)	105545 (77846)	122578 (90409)		11,6 (168)	150000 (110634)	307,6 (18771)
	run	30482 (22482)					4375 (3227)	13247 (9770)	18425 (13590)	23384 (17247)	33117 (24426)	52351 (38612)	61925 (45673)				
	end	45779 (33765)					4375 (3227)	13405 (9887)	22435 (16547)	31465 (23207)	49525 (36528)	85645 (63168)	103706 (76490)				
LPS-40A-885X-F04-2	start	65583 (48371)				28779 (21226)	38346 (28283)	47913 (35339)	57481 (42396)	67048 (49452)	86183 (63565)	124452 (91791)			10,3 (149)	150000 (110634)	345,5 (21084)
	run	30481 (22482)				4253 (3137)	13841 (10209)	19592 (14450)	25132 (18536)	30598 (22568)	41438 (30563)	62978 (46450)					
	end	45777 (33763)				4253 (3137)	14397 (10619)	24541 (18100)	34685 (25582)	44829 (33064)	65116 (48027)	105692 (77954)					
LPS-40A-985X-F04-2	start	65579 (48369)			35197 (25960)	47048 (34701)	58900 (43442)	70751 (52183)	82603 (60925)	94454 (69666)	118158 (87149)				8,3 (120)	150000 (110634)	428 (26118)
	run	30478 (22479)			11058 (8156)	19084 (14076)	25946 (19137)	32705 (24122)	39416 (29072)	46104 (34005)	59440 (43841)						
	end	45772 (33760)			11058 (8156)	23624 (17424)	36189 (26692)	48755 (35960)	61321 (45228)	73887 (54496)	99018 (73032)						
LPS-40A-1050X-F04-4	start	75055 (55358)			39776 (29337)	53243 (39270)	66710 (49203)	80177 (59135)	93645 (69069)	107112 (79002)	134047 (98868)				7.5 (109)	150000 (110634)	486.4 (29682)
	run	34836 (25694)			11938 (8805)	21428 (15804)	29239 (21566)	36925 (27234)	44557 (32864)	52160 (38471)	67316 (49650)						
	end	52223 (38518)			11938 (8805)	26217 (19337)	40496 (29868)	54774 (40399)	69054 (50932)	83332 (61462)	111890 (82526)						
LPS-40A-1200X-F04-4	start	75047 (55352)	33446 (24668)	51036 (37642)	68626 (50616)	86216 (63590)	103806 (76563)	121396 (89537)							5.8 (84)	150000 (110634)	635.3 (38768)
	run	34832 (25691)	5226 (3854)	20123 (14842)	30338 (22376)	40351 (29761)	50296 (37096)	60205 (44405)									
	end	52214 (38511)	5226 (3854)	23877 (17611)	42527 (31366)	61177 (45122)	79827 (58877)	98477 (72633)									
LPS-40A-835X-F04-4	start	75065 (55365)							39199 (28912)	47716 (35193)	64749 (47756)	98816 (72883)	115850 (85446)		12 (174)	150000 (110634)	307,6 (18771)
	run	34842 (25698)							11326 (8354)	18132 (13373)	28114 (20736)	47478 (35018)	57081 (42101)				
	end	52233 (38525)							11326 (8354)	20356 (15014)	38416 (28334)	74537 (54976)	92597 (68296)				

Actuator Model	METRIC/IMPERIAL TORQUE TABLE																
	Spring Torque	barg (PSIG)	barg (PSIG)	barg (PSIG)	barg (PSIG)	barg (PSIG)	barg (PSIG)	barg (PSIG)	barg (PSIG)	barg (PSIG)	barg (PSIG)	barg (PSIG)	barg (PSIG)	barg (PSIG)	Max Operating Pressure	Max Operating Torque	Swept Volume*
		2.5 (36)	3 (44)	3.5 (51)	4 (58)	4.5 (65)	5 (73)	5.5 (80)	6 (87)	7 (102)	9 (131)	10 (145)	12 (174)				
		Output Torque Nm (ft-lb) @ supply pressure barg (PSIG)															
Nm (ft-lb)	Nm (ft-lb)	Nm (ft-lb)	Nm (ft-lb)	Nm (ft-lb)	Nm (ft-lb)	Nm (ft-lb)	Nm (ft-lb)	Nm (ft-lb)	Nm (ft-lb)	Nm (ft-lb)	Nm (ft-lb)	Nm (ft-lb)	Nm (ft-lb)	barg (PSIG)	Nm (ft-lb)	L (cu in)	
LPS-40A-885X-F04-4	start	75063 (55364)					31618 (23320)	41185 (30376)	50752 (37433)	60320 (44490)	79454 (58602)	117723 (86828)			10,6 (154)	150000 (110634)	345,5 (21084)
	run	34841 (25697)					3288 (2425)	13432 (9907)	19954 (14717)	25557 (18850)	36514 (26931)	58136 (42879)					
	end	52231 (38524)					3288 (2425)	13432 (9907)	23576 (17389)	33720 (24871)	54008 (39834)	94583 (69761)					
LPS-40A-985X-F04-4	start	75058 (55360)				40320 (29738)	52171 (38479)	64023 (47221)	75874 (55962)	87726 (64703)	111429 (82186)			8.6 (125)	150000 (110634)	428 (26118)	
	run	34838 (25695)				12515 (9231)	20795 (15338)	27695 (20427)	34478 (25430)	41207 (30393)	54591 (40264)						
	end	52226 (38520)				12515 (9231)	25081 (18499)	37646 (27766)	50212 (37034)	62778 (46303)	87910 (64839)						
LPS-40A-1050X-F05-3	start	92158 (67972)				37543 (27690)	51010 (37623)	64478 (47556)	77945 (57489)	91412 (67422)	118347 (87288)			8.1 (117)	150000 (110634)	486.4 (29682)	
	run	43664 (32205)				6173 (4553)	18908 (13946)	26909 (19847)	34667 (25569)	42340 (31228)	57569 (42461)						
	end	67284 (49626)				6173 (4553)	20452 (15085)	34731 (25616)	49010 (36148)	63289 (46679)	91847 (67743)						
LPS-40A-1200X-F05-3	start	92150 (67966)	35336 (26062)	52926 (39036)	70516 (52010)	88106 (64984)	105696 (77957)	123286 (90931)						6.2 (90)	150000 (110634)	635.3 (38768)	
	run	43659 (32201)	3833 (2827)	20078 (14809)	30403 (22424)	40460 (29842)	50427 (37193)	60351 (44513)									
	end	67275 (49619)	3833 (2827)	22483 (16583)	41134 (30339)	59784 (44094)	78434 (57850)	97084 (71605)									
LPS-40A-835X-F05-3	start	92168 (67980)									49049 (36177)	83116 (61303)	100150 (73867)	134217 (98993)	12 (174)	150000 (110634)	307,6 (18771)
	run	43669 (32209)									17688 (13046)	37621 (27748)	47291 (34880)	66508 (49054)			
	end	67294 (49633)									18373 (13551)	54493 (40192)	72554 (53513)	108674 (80154)			
LPS-40A-885X-F05-3	start	92166 (67978)							35052 (25853)	44620 (32910)	63754 (47022)	102023 (75248)	121158 (89361)	11.5 (167)	150000 (110634)	345.5 (21084)	
	run	43668 (32208)							3533 (2606)	13677 (10088)	26488 (19537)	48353 (35663)	59153 (43629)				
	end	67292 (49632)							3533 (2606)	13677 (10088)	33964 (25051)	74540 (54978)	94828 (69941)				
LPS-40A-985X-F05-3	start	92162 (67975)				36472 (26900)	48323 (35641)	60175 (44383)	72026 (53124)	95729 (70606)				9.2 (133)	150000 (110634)	428 (26118)	
	run	43666 (32206)				5037 (3715)	17228 (12707)	24394 (17992)	31274 (23066)	44786 (33032)							
	end	67287 (49628)				5037 (3715)	17603 (12983)	30169 (22251)	42735 (31520)	67866 (50055)							
LPS-50A-1050X-F01-4	start	92924 (68537)		57220 (42203)	73896 (54503)	90573 (66803)	107250 (79103)	123927 (91404)	140604 (103704)	173957 (128304)	240664 (177504)			10,7 (155)	300000 (221269)	617,2 (37664)	
	run	40914 (30177)		14804 (10919)	28419 (20961)	38230 (28197)	47822 (35272)	57323 (42279)	66771 (49248)	85586 (63125)	123089 (90786)						
	end	57027 (42061)		14804 (10919)	32485 (23960)	50167 (37001)	67849 (50043)	85531 (63084)	103213 (76126)	138577 (102209)	209304 (154374)						

Actuator Model	METRIC/IMPERIAL TORQUE TABLE															Max Operating Pressure	Max Operating Torque	Swept Volume*			
	Spring Torque	barg (PSIG)	barg (PSIG)	barg (PSIG)	barg (PSIG)	barg (PSIG)	barg (PSIG)	barg (PSIG)	barg (PSIG)	barg (PSIG)	barg (PSIG)	barg (PSIG)	barg (PSIG)	barg (PSIG)	barg (PSIG)						
		2.5 (36)	3 (44)	3.5 (51)	4 (58)	4.5 (65)	5 (73)	5.5 (80)	6 (87)	7 (102)	9 (131)	10 (145)	12 (174)								
		Output Torque Nm (ft-lb) @ supply pressure barg (PSIG)																			
Nm (ft-lb)	Nm (ft-lb)	Nm (ft-lb)	Nm (ft-lb)	Nm (ft-lb)	Nm (ft-lb)	Nm (ft-lb)	Nm (ft-lb)	Nm (ft-lb)	Nm (ft-lb)	Nm (ft-lb)	Nm (ft-lb)	Nm (ft-lb)	Nm (ft-lb)	Nm (ft-lb)	barg (PSIG)	Nm (ft-lb)	L (cu in)				
LPS-50A-1200X-F01-4	start	92913 (68529)	49382 (36422)	71164 (52488)	92945 (68553)	114727 (84618)	136509 (100684)	158291 (116749)	180073 (132815)	201855 (148880)	245419 (181011)					8,2 (119)	300000 (221269)	806,1 (49191)			
	run	40908 (30172)	6493 (4789)	26766 (19742)	39605 (29211)	52090 (38420)	64454 (47539)	76761 (56616)	89031 (65666)	101280 (74700)	125761 (92756)										
	end	57017 (42054)	6493 (4789)	29588 (21823)	52682 (38856)	75777 (55890)	98872 (72924)	121966 (89957)	145061 (106991)	168156 (124025)	214345 (158093)										
LPS-50A-1300X-F01-4	start	92906 (68524)	68282 (50362)	93845 (69216)	119409 (88071)	144972 (106926)	170536 (125781)	196099 (144635)	221663 (163490)	247226 (182344)						7 (102)	300000 (221269)	946 (57728)			
	run	40903 (30168)	24993 (18434)	40124 (29594)	54753 (40384)	69239 (51068)	83659 (61704)	98045 (72314)	112411 (82910)	126776 (93505)											
	end	57009 (42048)	26533 (19570)	53637 (39561)	80741 (59551)	107845 (79542)	134949 (99533)	162053 (119524)	189158 (139516)	216262 (159506)											
LPS-50A-1400X-F01-4	start	92898 (68518)	88694 (65417)	118342 (87284)	147990 (109152)	177637 (131018)	207285 (152885)	236932 (174752)	266580 (196619)							6 (87)	300000 (221269)	1097,2 (66955)			
	run	40899 (30166)	37140 (27393)	54146 (39936)	70943 (52325)	87659 (64654)	104331 (76950)	120992 (89239)	137652 (101527)												
	end	57000 (42041)	48175 (35532)	79610 (58717)	111044 (81902)	142478 (105086)	173913 (128271)	205347 (151456)	236782 (174641)												
LPS-50A-1500X-F01-4	start	92889 (68511)	110619 (81588)	144653 (106690)	178687 (131793)	212721 (156895)	246756 (181998)									5,2 (75)	300000 (221269)	1259,5 (76859)			
	run	40894 (30162)	49746 (36691)	69058 (50934)	88250 (65090)	107386 (79204)	126512 (93310)														
	end	56991 (42034)	71421 (52677)	107506 (79292)	143592 (105908)	179677 (132523)	215763 (159138)														
LPS-50A-1050X-F02-2	start	132429 (97674)						78653 (58011)	95330 (70312)	112006 (82611)	145360 (107212)	212067 (156412)	245420 (181012)			11,6 (168)	300000 (221269)	617,2 (37664)			
	run	59249 (43700)						21554 (15897)	35709 (26338)	45654 (33673)	64910 (47875)	102731 (75770)	121520 (89628)								
	end	84460 (62294)						21554 (15897)	39236 (28939)	56918 (41980)	92281 (68063)	163009 (120229)	198372 (146311)								
LPS-50A-1200X-F02-2	start	132419 (97667)			64348 (47461)	86130 (63526)	107912 (79592)	129694 (95657)	151476 (111723)	173258 (127788)	216822 (159919)					8,9 (129)	300000 (221269)	806,1 (49191)			
	run	59243 (43695)			6387 (4711)	29482 (21745)	43246 (31897)	55923 (41247)	68403 (50451)	80785 (59584)	105412 (77748)										
	end	84450 (62287)			6387 (4711)	29482 (21745)	52576 (38778)	75671 (55812)	98766 (72846)	121860 (89879)	168050 (123947)										
LPS-50A-1300X-F02-2	start	132411 (97661)		65248 (48124)	90812 (66979)	116375 (85834)	141939 (104689)	167502 (123543)	193066 (142398)	218629 (161252)	269756 (198962)					7,5 (109)	300000 (221269)	946 (57728)			
	run	59239 (43692)		7341 (5414)	32916 (24278)	48207 (35556)	62956 (46434)	77522 (57177)	91999 (67855)	106430 (78499)	135204 (99721)										
	end	84442 (62281)		7341 (5414)	34446 (25406)	61550 (45397)	88654 (65388)	115758 (85379)	142862 (105369)	169966 (125360)	224175 (165343)										
LPS-50A-1400X-F02-2	start	132403 (97655)		89745 (66192)	119392 (88059)	149040 (109926)	178688 (131793)	208335 (153660)	237983 (175527)	267630 (197393)						6,5 (94)	300000 (221269)	1097,2 (66955)			
	run	59234 (43689)		32244 (23782)	49964 (36851)	67012 (49425)	83862 (61853)	100623 (74216)	117331 (86539)	134009 (98840)											
	end	84433 (62274)		33314 (24571)	64749 (47756)	96183 (70941)	127618 (94126)	159052 (117311)	190486 (140495)	221921 (163680)											

Limitorque™ LPS Series Actuator

Actuator Model	METRIC/IMPERIAL TORQUE TABLE																			
	Spring Torque	barg (PSIG)	barg (PSIG)	barg (PSIG)	barg (PSIG)	barg (PSIG)	barg (PSIG)	barg (PSIG)	barg (PSIG)	barg (PSIG)	barg (PSIG)	barg (PSIG)	barg (PSIG)	barg (PSIG)	Max Operating Pressure	Max Operating Torque	Swept Volume*			
		2.5 (36)	3 (44)	3.5 (51)	4 (58)	4.5 (65)	5 (73)	5.5 (80)	6 (87)	7 (102)	9 (131)	10 (145)	12 (174)							
		Output Torque Nm (ft-lb) @ supply pressure barg (PSIG)																		
Nm (ft-lb)	Nm (ft-lb)	Nm (ft-lb)	Nm (ft-lb)	Nm (ft-lb)	Nm (ft-lb)	Nm (ft-lb)	Nm (ft-lb)	Nm (ft-lb)	Nm (ft-lb)	Nm (ft-lb)	Nm (ft-lb)	Nm (ft-lb)	Nm (ft-lb)	barg (PSIG)	Nm (ft-lb)	L (cu in)				
LPS-50A-1500X-F02-2	start	132394 (97649)	82022 (60496)	116056 (85598)	150090 (110701)	184124 (135803)	218158 (160905)	252193 (186008)							5,7 (83)	300000 (221269)	1259,5 (76859)			
	run	59229 (43685)	25126 (18532)	48021 (35418)	67611 (49867)	86942 (64125)	106165 (78303)	125334 (92441)												
	end	84424 (62268)	25126 (18532)	61211 (45147)	97296 (71762)	133382 (98377)	169467 (124992)	205553 (151608)												
LPS-50A-1050X-F03-1	start	127044 (93703)					67928 (50101)	84604 (62401)	101281 (74701)	117958 (87001)	151311 (111601)	218018 (160802)	251372 (185402)		11,4 (165)	300000 (221269)	617,2 (37664)			
	run	56171 (41430)					10182 (7510)	27864 (20551)	39307 (28991)	49131 (36237)	68309 (50382)	106086 (78245)	124872 (92101)							
	end	78751 (58084)					10182 (7510)	27864 (20551)	45546 (33593)	63228 (46635)	98591 (72717)	169319 (124883)	204682 (150965)							
LPS-50A-1200X-F03-1	start	127034 (93695)			70300 (51851)	92082 (67916)	113864 (83982)	135645 (100046)	157427 (116112)	179209 (132178)	222773 (164309)				8,7 (126)	300000 (221269)	806,1 (49191)			
	run	56165 (41425)			12697 (9365)	33709 (24862)	46741 (34474)	59345 (43771)	71792 (52951)	84157 (62071)	108764 (80220)									
	end	78740 (58076)			12697 (9365)	35792 (26399)	58887 (43433)	81981 (60466)	105076 (77500)	128171 (94534)	174360 (128601)									
LPS-50A-1300X-F03-1	start	127027 (93690)		71200 (52514)	96763 (71369)	122327 (90224)	147890 (109078)	173454 (127933)	199017 (146787)	224580 (165641)					7,4 (107)	300000 (221269)	946 (57728)			
	run	56161 (41422)		13652 (10069)	36582 (26981)	51666 (38107)	66355 (48941)	80896 (59666)	95360 (70334)	109782 (80971)										
	end	78732 (58070)		13652 (10069)	40756 (30060)	67860 (50051)	94964 (70042)	122068 (90033)	149172 (110023)	176276 (130014)										
LPS-50A-1400X-F03-1	start	127018 (93684)	66049 (48715)	95696 (70582)	125344 (92449)	154991 (114315)	184639 (136183)	214286 (158049)	243934 (179916)						6,4 (93)	300000 (221269)	1097,2 (66955)			
	run	56156 (41418)	8190 (6041)	35933 (26503)	53414 (39396)	70407 (51929)	87234 (64340)	103984 (76695)	120683 (89011)											
	end	78724 (58064)	8190 (6041)	39624 (29225)	71059 (52410)	102493 (75595)	133928 (98780)	165362 (121965)	196796 (145149)											
LPS-50A-1500X-F03-1	start	127010 (93678)	87973 (64885)	122007 (89988)	156041 (115090)	190076 (140193)	224110 (165295)	258144 (190397)							5,6 (81)	300000 (221269)	1259,5 (76859)			
	run	56151 (41415)	31115 (22949)	51481 (37970)	71004 (52370)	90310 (66609)	109517 (80775)	128678 (94908)												
	end	78714 (58056)	31436 (23186)	67521 (49801)	103606 (76416)	139692 (103031)	175777 (129646)	211863 (156262)												
LPS-50A-1050X-F03-3	start	176224 (129976)									116396 (85849)	183103 (135050)	216457 (159650)		12 (174)	300000 (221269)	617,2 (37664)			
	run	78800 (58120)									40905 (30170)	80414 (59310)	99450 (73350)							
	end	112245 (82788)									40959 (30210)	111686 (82375)	147050 (108458)							
LPS-50A-1200X-F03-3	start	176214 (129969)									100730 (74295)	122512 (90360)	144294 (106426)	187858 (138557)		9,5 (138)	300000 (221269)	806,1 (49191)		
	run	78795 (58116)									24349 (17959)	44781 (33029)	57905 (42708)	83143 (61323)						
	end	112234 (82779)									24349 (17959)	47443 (34992)	70538 (52026)	116727 (86093)						

Actuator Model	METRIC/IMPERIAL TORQUE TABLE															Max Operating Pressure	Max Operating Torque	Swept Volume*
	Spring Torque	barg (PSIG)	barg (PSIG)	barg (PSIG)	barg (PSIG)	barg (PSIG)	barg (PSIG)	barg (PSIG)	barg (PSIG)	barg (PSIG)	barg (PSIG)	barg (PSIG)	barg (PSIG)	barg (PSIG)	barg (PSIG)			
		2.5 (36)	3 (44)	3.5 (51)	4 (58)	4.5 (65)	5 (73)	5.5 (80)	6 (87)	7 (102)	9 (131)	10 (145)	12 (174)					
		Output Torque Nm (ft-lb) @ supply pressure barg (PSIG)																
Nm (ft-lb)	Nm (ft-lb)	Nm (ft-lb)	Nm (ft-lb)	Nm (ft-lb)	Nm (ft-lb)	Nm (ft-lb)	Nm (ft-lb)	Nm (ft-lb)	Nm (ft-lb)	Nm (ft-lb)	Nm (ft-lb)	Nm (ft-lb)	Nm (ft-lb)	barg (PSIG)	Nm (ft-lb)	L (cu in)		
LPS-50A-1300X-FO3-3	start	176206 (129963)			87412 (64472)	112975 (83326)	138538 (102180)	164102 (121035)	189665 (139890)	240792 (177599)								
	run	78790 (58112)			10227 (7543)	37331 (27534)	54495 (40193)	69468 (51237)	84177 (62086)	113256 (83533)					8,1 (117)	300000 (221269)	946 (57728)	
	end	112226 (82774)			10227 (7543)	37331 (27534)	64436 (47525)	91540 (67516)	118644 (87507)	172852 (127489)								
LPS-50A-1400X-FO3-3	start	176198 (129957)			90429 (66697)	120076 (88563)	149724 (110431)	179371 (132297)	209019 (154164)	238666 (176031)								
	run	78786 (58109)			13426 (9902)	43255 (31903)	61096 (45062)	78273 (57731)	95220 (70231)	112052 (82645)					7 (102)	300000 (221269)	1097,2 (66955)	
	end	112218 (82768)			13426 (9902)	44861 (33088)	76295 (56272)	107729 (79457)	139164 (102642)	170598 (125826)								
LPS-50A-1500X-FO3-3	start	176189 (129950)			87092 (64236)	121126 (89338)	155160 (114440)	189195 (139543)	223229 (164645)	257263 (189747)								
	run	78781 (58106)			9888 (7293)	43916 (32391)	64273 (47405)	83908 (61887)	103302 (76192)	122576 (90407)					6,1 (88)	300000 (221269)	1259,5 (76859)	
	end	112208 (82760)			9888 (7293)	45974 (33909)	82059 (60524)	118145 (87139)	154230 (113754)	190316 (140370)								
LPS-50C-1050X-FC1-4	start	75763 (55880)			89767 (66209)	115062 (84865)	140357 (103522)	165651 (122178)	190946 (140834)	216241 (159491)	266830 (196803)							
	run	42573 (31400)			11390 (8401)	24463 (18043)	34438 (25400)	44041 (32483)	53519 (39474)	62938 (46421)	81681 (60245)				7,6 (110)	300000 (221269)	595,4 (36334)	
	end	84528 (62345)			11390 (8401)	24988 (18430)	38586 (28460)	52183 (38488)	65781 (48518)	79379 (58547)	106575 (78606)							
LPS-50C-1200X-FC1-4	start	75755 (55874)			110917 (81808)	143955 (106176)	176993 (130543)	210031 (154911)	243069 (179278)									
	run	42568 (31396)			22704 (16746)	35817 (26417)	48301 (35625)	60629 (44718)	72890 (53761)						5,8 (84)	300000 (221269)	777,6 (47452)	
	end	84511 (62332)			22759 (16786)	40520 (29886)	58280 (42985)	76041 (56085)	93801 (69184)									
LPS-50C-1300X-FC1-4	start	75749 (55870)	106546 (78584)	145320 (107182)	184094 (135781)	222867 (164378)	261641 (192976)											
	run	42563 (31393)	20410 (15054)	36338 (26801)	50958 (37585)	65397 (48234)	79761 (58829)								4,9 (71)	300000 (221269)	912,6 (55690)	
	end	84499 (62323)	20410 (15054)	41254 (30427)	62098 (45801)	82941 (61174)	103785 (76548)											
LPS-50C-1400X-FC1-4	start	75742 (55864)	137507 (101420)	182475 (134586)	227444 (167754)													
	run	42559 (31390)	33343 (24592)	50353 (37138)	67095 (49487)										4,3 (62)	300000 (221269)	1058,4 (64588)	
	end	84485 (62313)	37054 (27330)	61228 (45159)	85401 (62988)													
LPS-50C-1500X-FC1-4	start	75735 (55859)	170761 (125947)	222383 (164021)														
	run	42554 (31386)	45962 (33900)	65217 (48102)											3,7 (54)	300000 (221269)	1215 (74144)	
	end	84471 (62303)	54930 (40514)	82681 (60982)														

Actuator Model	METRIC/IMPERIAL TORQUE TABLE																			
	Spring Torque	barg (PSIG)	barg (PSIG)	barg (PSIG)	barg (PSIG)	barg (PSIG)	barg (PSIG)	barg (PSIG)	barg (PSIG)	barg (PSIG)	barg (PSIG)	barg (PSIG)	barg (PSIG)	barg (PSIG)	Max Operating Pressure	Max Operating Torque	Swept Volume*			
		2.5 (36)	3 (44)	3.5 (51)	4 (58)	4.5 (65)	5 (73)	5.5 (80)	6 (87)	7 (102)	9 (131)	10 (145)	12 (174)							
		Output Torque Nm (ft-lb) @ supply pressure barg (PSIG)																		
Nm (ft-lb)	Nm (ft-lb)	Nm (ft-lb)	Nm (ft-lb)	Nm (ft-lb)	Nm (ft-lb)	Nm (ft-lb)	Nm (ft-lb)	Nm (ft-lb)	Nm (ft-lb)	Nm (ft-lb)	Nm (ft-lb)	Nm (ft-lb)	Nm (ft-lb)	barg (PSIG)	Nm (ft-lb)	L (cu in)				
LPS-50C-1050X-FC2-2	start	107973 (79637)						123314 (90952)	148609 (109608)	173904 (128265)	224493 (165577)				8,4 (122)	300000 (221269)	595,4 (36334)			
	run	61413 (45296)						16583 (12231)	30181 (22260)	40495 (29868)	59813 (44116)									
	end	125572 (92617)						16583 (12231)	30181 (22260)	43779 (32290)	70975 (52348)									
LPS-50C-1200X-FC2-2	start	107964 (79630)			134655 (99316)	167693 (123684)	200731 (148051)	233769 (172419)	266807 (196786)						6,5 (94)	300000 (221269)	777,6 (47452)			
	run	61407 (45291)			22680 (16728)	38051 (28065)	50824 (37486)	63296 (46685)	75649 (55796)											
	end	125556 (92605)			22680 (16728)	40441 (29828)	58201 (42927)	75961 (56026)	93722 (69126)											
LPS-50C-1300X-FC2-2	start	107958 (79626)			141756 (104554)	180530 (133152)	219304 (161750)	258078 (190348)							5,5 (80)	300000 (221269)	912,6 (55690)			
	run	61403 (45288)			26497 (19543)	43074 (31770)	57855 (42672)	72394 (53395)												
	end	125543 (92596)			26497 (19543)	47341 (34917)	68185 (50291)	89029 (65664)												
LPS-50C-1400X-FC2-2	start	107952 (79621)	140138 (103360)	185106 (136527)	230075 (169694)									4,7 (68)	300000 (221269)	1058,4 (64588)				
	run	61399 (45286)	25627 (18901)	44843 (33074)	61909 (45662)															
	end	125530 (92586)	25627 (18901)	49801 (36731)	73975 (54561)															
LPS-50C-1500X-FC2-2	start	107945 (79616)	128424 (94721)	180046 (132795)	231667 (170869)									4,1 (59)	300000 (221269)	1215 (74144)				
	run	61394 (45282)	19330 (14257)	42887 (31632)	62507 (46103)															
	end	125516 (92576)	19330 (14257)	47081 (34725)	74831 (55192)															
LPS-50C-1050X-FC3-1	start	103582 (76398)					107046 (78953)	132341 (97610)	157636 (116266)	182930 (134922)	233520 (172235)			8,3 (120)	300000 (221269)	595,4 (36334)				
	run	58388 (43065)					7838 (5781)	21436 (15810)	34012 (25086)	44002 (32454)	63203 (46616)									
	end	116821 (86163)					7838 (5781)	21436 (15810)	35034 (25840)	48632 (35869)	75827 (55927)									
LPS-50C-1200X-FC3-1	start	103574 (76392)			110644 (81607)	143682 (105974)	176720 (130342)	209758 (154709)	242796 (179077)					6,3 (91)	300000 (221269)	777,6 (47452)				
	run	58382 (43060)			9772 (7207)	27533 (20307)	41594 (30678)	54250 (40013)	66682 (49182)											
	end	116804 (86150)			9772 (7207)	27533 (20307)	45293 (33406)	63054 (46506)	80814 (59605)											
LPS-50C-1300X-FC3-1	start	103568 (76388)		112010 (82614)	150783 (111212)	189557 (139810)	228331 (168408)	267105 (197006)						5,4 (78)	300000 (221269)	912,6 (55690)				
	run	58378 (43057)		10506 (7749)	31147 (22973)	46553 (34336)	61255 (45179)	75760 (55878)												
	end	116792 (86141)		10506 (7749)	31350 (23123)	52194 (38496)	73038 (53870)	93882 (69244)												

Actuator Model	METRIC/IMPERIAL TORQUE TABLE																
	Spring Torque	barg (PSIG)	barg (PSIG)	barg (PSIG)	barg (PSIG)	barg (PSIG)	barg (PSIG)	barg (PSIG)	barg (PSIG)	barg (PSIG)	barg (PSIG)	barg (PSIG)	barg (PSIG)	barg (PSIG)	Max Operating Pressure	Max Operating Torque	Swept Volume*
		2.5 (36)	3 (44)	3.5 (51)	4 (58)	4.5 (65)	5 (73)	5.5 (80)	6 (87)	7 (102)	9 (131)	10 (145)	12 (174)				
		Output Torque Nm (ft-lb) @ supply pressure barg (PSIG)															
Nm (ft-lb)	Nm (ft-lb)	Nm (ft-lb)	Nm (ft-lb)	Nm (ft-lb)	Nm (ft-lb)	Nm (ft-lb)	Nm (ft-lb)	Nm (ft-lb)	Nm (ft-lb)	Nm (ft-lb)	Nm (ft-lb)	Nm (ft-lb)	Nm (ft-lb)	barg (PSIG)	Nm (ft-lb)	L (cu in)	
LPS-50C-1400X-FC3-1	start	103561 (76383)	104196 (76851)	149165 (110018)	194133 (143185)	239102 (176352)									4,6 (67)	300000 (221269)	1058,4 (64588)
	run	58373 (43054)	6306 (4651)	30443 (22454)	48307 (35629)	65298 (48161)											
	end	116779 (86132)	6306 (4651)	30480 (22481)	54654 (40311)	78828 (58140)											
LPS-50C-1500X-FC3-1	start	103554 (76377)	137451 (101378)	189072 (139452)	240694 (177527)										4 (58)	300000 (221269)	1215 (74144)
	run	58368 (43050)	24183 (17836)	46367 (34198)	65896 (48602)												
	end	116764 (86121)	24183 (17836)	51934 (38304)	79684 (58772)												
LPS-50C-1050X-FC3-3	start	143680 (105973)											181901 (134163)		9,3 (135)	300000 (221269)	595,4 (36334)
	run	81689 (60251)											31509 (23240)				
	end	166864 (123072)											31509 (23240)				
LPS-50C-1200X-FC3-3	start	143672 (105967)						158139 (116637)	191177 (141005)	224215 (165372)					7,1 (103)	300000 (221269)	777,6 (47452)
	run	81683 (60246)						18735 (13818)	36496 (26918)	50982 (37602)							
	end	166848 (123061)						18735 (13818)	36496 (26918)	54256 (40017)							
LPS-50C-1300X-FC3-3	start	143666 (105962)				137938 (101738)	176712 (130336)	215485 (158933)	254259 (187532)						6 (87)	300000 (221269)	912,6 (55690)
	run	81679 (60243)				7876 (5809)	28719 (21182)	47500 (35034)	62653 (46210)								
	end	166835 (123051)				7876 (5809)	28719 (21182)	49563 (36556)	70407 (51929)								
LPS-50C-1400X-FC3-3	start	143659 (105957)			142514 (105113)	187482 (138279)	232451 (171447)								5,2 (75)	300000 (221269)	1058,4 (64588)
	run	81674 (60240)			10336 (7623)	34510 (25453)	54221 (39991)										
	end	166822 (123041)			10336 (7623)	34510 (25453)	58683 (43282)										
LPS-50C-1500X-FC3-3	start	143652 (105952)		137453 (101380)	189075 (139454)	240697 (177529)									4,5 (65)	300000 (221269)	1215 (74144)
	run	81669 (60236)		7615 (5617)	35366 (26085)	57429 (42357)											
	end	166808 (123031)		7615 (5617)	35366 (26085)	63116 (46552)											

(*) Note: MAWP (Maximum Allowable Working Pressure) : 12 barg. Actuators with (**) have exceptionally MAWP = 10,5 barg.

LPS Double Acting: Performance Tables - barg 2.5 - 4.5

Actuator Model		METRIC/IMPERIAL TORQUE TABLE													Max Operating Pressure	Max Operating Torque	Swept Volume*
		barg (PSIG)		barg (PSIG)		barg (PSIG)		barg (PSIG)		barg (PSIG)		barg (PSIG)	Nm (ft-lb)	L (cu in)			
		2.5 (36)		3 (44)		3.5 (5.1)		4 (58)		4.5 (65)							
		Output Torque Nm (ft-lb) @ supply pressure															
		OPEN	CLOSE	OPEN	CLOSE	OPEN	CLOSE	OPEN	CLOSE	OPEN	CLOSE	OPEN	CLOSE				
Nm (ft-lb)	Nm (ft-lb)	Nm (ft-lb)	Nm (ft-lb)	Nm (ft-lb)	Nm (ft-lb)	Nm (ft-lb)	Nm (ft-lb)	Nm (ft-lb)	Nm (ft-lb)	Nm (ft-lb)	Nm (ft-lb)						
LPS-15A-255X-D1	start	1227 (905)	1210 (892)	1474 (1087)	1454 (1072)	1721 (1269)	1697 (1252)	1968 (1452)	1941 (1432)	2215 (1634)	2184 (1611)	11,4 (165)	6000 (4425)	9,2 (561)			
	run	690 (509)	680 (502)	828 (611)	817 (603)	967 (713)	954 (704)	1106 (816)	1091 (805)	1245 (918)	1227 (905)						
	end	1301 (960)	1283 (946)	1563 (1153)	1541 (1137)	1825 (1346)	1799 (1327)	2087 (1539)	2058 (1518)	2348 (1732)	2316 (1708)						
LPS-15A-285X-D1	start	1533 (1131)	1516 (1118)	1841 (1358)	1821 (1343)	2150 (1586)	2126 (1568)	2458 (1813)	2431 (1793)	2767 (2041)	2736 (2018)	9,1 (132)	6000 (4425)	11,4 (696)			
	run	862 (636)	852 (628)	1035 (763)	1023 (755)	1208 (891)	1195 (881)	1381 (1019)	1366 (1008)	1555 (1147)	1538 (1134)						
	end	1625 (1199)	1607 (1185)	1952 (1440)	1931 (1424)	2279 (1681)	2254 (1662)	2606 (1922)	2577 (1901)	2933 (2163)	2901 (2140)						
LPS-15A-300X-D1	start	1699 (1253)	1682 (1241)	2040 (1505)	2020 (1490)	2382 (1757)	2358 (1739)	2724 (2009)	2696 (1988)	3066 (2261)	3035 (2238)	8,2 (119)	6000 (4425)	12,7 (775)			
	run	954 (704)	945 (697)	1147 (846)	1135 (837)	1339 (988)	1325 (977)	1531 (1129)	1515 (1117)	1723 (1271)	1706 (1258)						
	end	1801 (1328)	1783 (1315)	2163 (1595)	2142 (1580)	2526 (1863)	2500 (1844)	2888 (2130)	2859 (2109)	3250 (2397)	3218 (2373)						
LPS-15A-335X-D1	start	2118 (1562)	2101 (1550)	2544 (1876)	2524 (1862)	2970 (2191)	2946 (2173)	3396 (2505)	3369 (2485)	3823 (2820)	3792 (2797)	6,6 (96)	6000 (4425)	15,8 (964)			
	run	1190 (878)	1181 (871)	1430 (1055)	1418 (1046)	1669 (1231)	1656 (1221)	1909 (1408)	1893 (1396)	2148 (1584)	2131 (1572)						
	end	2246 (1657)	2228 (1643)	2698 (1990)	2676 (1974)	3149 (2323)	3124 (2304)	3601 (2656)	3572 (2635)	4053 (2989)	4020 (2965)						
LPS-15A-360X-D1	start	2446 (1804)	2429 (1792)	2938 (2167)	2918 (2152)	3430 (2530)	3406 (2512)	3922 (2893)	3895 (2873)	4414 (3256)	4384 (3233)	5,7 (83)	6000 (4425)	18,3 (1117)			
	run	1374 (1013)	1365 (1007)	1651 (1218)	1640 (1210)	1928 (1422)	1914 (1412)	2204 (1626)	2189 (1615)	2481 (1830)	2464 (1817)						
	end	2593 (1912)	2575 (1899)	3115 (2298)	3093 (2281)	3637 (2683)	3612 (2664)	4159 (3068)	4130 (3046)	4680 (3452)	4648 (3428)						
LPS-15A-385X-D1	start	2797 (2063)	2780 (2050)	3360 (2478)	3340 (2463)	3923 (2893)	3899 (2876)	4486 (3309)	4459 (3289)	5049 (3724)	5018 (3701)	5 (73)	6000 (4425)	20,9 (1275)			
	run	1572 (1159)	1562 (1152)	1888 (1393)	1877 (1384)	2205 (1626)	2191 (1616)	2521 (1859)	2506 (1848)	2837 (2092)	2820 (2080)						
	end	2966 (2188)	2948 (2174)	3563 (2628)	3541 (2612)	4160 (3068)	4134 (3049)	4756 (3508)	4727 (3486)	5353 (3948)	5320 (3924)						
LPS-15C-255X-D1	start	1861 (1373)	987 (728)	2236 (1649)	1185 (874)	2610 (1925)	1384 (1021)	2985 (2202)	1582 (1167)	3360 (2478)	1781 (1314)	7,5 (109)	6000 (4425)	9,2 (561)			
	run	684 (504)	672 (496)	821 (606)	808 (596)	959 (707)	943 (696)	1096 (808)	1078 (795)	1234 (910)	1213 (895)						
	end	1001 (738)	1967 (1451)	1202 (887)	2362 (1742)	1403 (1035)	2758 (2034)	1605 (1184)	3154 (2326)	1806 (1332)	3550 (2618)						

Actuator Model		METRIC/IMPERIAL TORQUE TABLE												Max Operating Pressure	Max Operating Torque	Swept Volume*	
		barg (PSIG)		barg (PSIG)		barg (PSIG)		barg (PSIG)		barg (PSIG)		barg (PSIG)	Nm (ft-lb)				L (cu in)
		2.5 (36)		3 (44)		3.5 (5.1)		4 (58)		4.5 (65)							
		Output Torque Nm (ft-lb) @ supply pressure															
		OPEN	CLOSE	OPEN	CLOSE	OPEN	CLOSE	OPEN	CLOSE	OPEN	CLOSE	OPEN	CLOSE				
Nm (ft-lb)	Nm (ft-lb)	Nm (ft-lb)	Nm (ft-lb)	Nm (ft-lb)	Nm (ft-lb)	Nm (ft-lb)	Nm (ft-lb)	Nm (ft-lb)	Nm (ft-lb)	Nm (ft-lb)	Nm (ft-lb)						
LPS-15C-285X-D1	start	2325 (1715)	1236 (912)	2793 (2060)	1485 (1095)	3261 (2405)	1733 (1278)	3729 (2750)	1982 (1462)	4196 (3095)	2231 (1645)	6 (87)	6000 (4425)	11,6 (708)			
	run	854 (630)	842 (621)	1026 (757)	1012 (746)	1198 (884)	1181 (871)	1370 (1010)	1350 (996)	1542 (1137)	1520 (1121)						
	end	1250 (922)	2464 (1817)	1501 (1107)	2959 (2182)	1753 (1293)	3455 (2548)	2004 (1478)	3951 (2914)	2256 (1664)	4447 (3280)						
LPS-15C-300X-D1	start	2576 (1900)	1371 (1011)	3095 (2283)	1647 (1215)	3613 (2665)	1923 (1418)	4131 (3047)	2199 (1622)	4650 (3430)	2474 (1825)	5,4 (78)	6000 (4425)	12,8 (781)			
	run	946 (698)	934 (689)	1137 (839)	1122 (828)	1327 (979)	1310 (966)	1518 (1120)	1498 (1105)	1708 (1260)	1686 (1244)						
	end	1385 (1022)	2733 (2016)	1664 (1227)	3283 (2421)	1942 (1432)	3833 (2827)	2221 (1638)	4382 (3232)	2500 (1844)	4932 (3638)						
LPS-15C-335X-D1	start	3212 (2369)	1713 (1263)	3859 (2846)	2058 (1518)	4505 (3323)	2402 (1772)					4,3 (62)	6000 (4425)	16 (976)			
	run	1180 (870)	1167 (861)	1418 (1046)	1402 (1034)	1655 (1221)	1637 (1207)										
	end	1727 (1274)	3414 (2518)	2074 (1530)	4102 (3025)	2422 (1786)	4789 (3532)										
LPS-15C-360X-D1	start	3710 (2736)	1980 (1460)	4456 (3287)	2379 (1755)							3,7 (54)	6000 (4425)	18,4 (1123)			
	run	1363 (1005)	1349 (995)	1637 (1207)	1621 (1196)												
	end	1994 (1471)	3947 (2911)	2396 (1767)	4742 (3498)												
LPS-15C-385X-D1	start	4243 (3129)	2267 (1672)									3,3 (48)	6000 (4425)	21,1 (1288)			
	run	1559 (1150)	1545 (1140)														
	end	2281 (1682)	4519 (3333)														
LPS-20A-335X-D1	start	2801 (2066)	2770 (2043)	3365 (2482)	3328 (2455)	3928 (2897)	3885 (2865)	4492 (3313)	4443 (3277)	5056 (3729)	5000 (3688)	10 (145)	12000 (8851)	20 (1220)			
	run	1574 (1161)	1557 (1148)	1891 (1395)	1870 (1379)	2208 (1629)	2183 (1610)	2524 (1862)	2497 (1842)	2841 (2095)	2810 (2073)						
	end	2970 (2191)	2937 (2166)	3568 (2632)	3528 (2602)	4165 (3072)	4120 (3039)	4763 (3513)	4711 (3475)	5360 (3953)	5302 (3911)						
LPS-20A-360X-D1	start	3235 (2386)	3204 (2363)	3886 (2866)	3849 (2839)	4537 (3346)	4494 (3315)	5188 (3826)	5138 (3790)	5838 (4306)	5783 (4265)	8.7 (126)	12000 (8851)	23,1 (1410)			
	run	1818 (1341)	1801 (1328)	2184 (1611)	2163 (1595)	2549 (1880)	2525 (1862)	2915 (2150)	2888 (2130)	3281 (2420)	3250 (2397)						
	end	3430 (2530)	3397 (2505)	4120 (3039)	4081 (3010)	4810 (3548)	4764 (3514)	5500 (4057)	5448 (4018)	6190 (4566)	6132 (4523)						

Actuator Model		METRIC/IMPERIAL TORQUE TABLE													Max Operating Pressure	Max Operating Torque	Swept Volume*
		barg (PSIG)		barg (PSIG)		barg (PSIG)		barg (PSIG)		barg (PSIG)		barg (PSIG)	Nm (ft-lb)	L (cu in)			
		2.5 (36)		3 (44)		3.5 (5.1)		4 (58)		4.5 (65)							
		Output Torque Nm (ft-lb) @ supply pressure															
		OPEN	CLOSE	OPEN	CLOSE	OPEN	CLOSE	OPEN	CLOSE	OPEN	CLOSE	OPEN	CLOSE				
Nm (ft-lb)	Nm (ft-lb)	Nm (ft-lb)	Nm (ft-lb)	Nm (ft-lb)	Nm (ft-lb)	Nm (ft-lb)	Nm (ft-lb)	Nm (ft-lb)	Nm (ft-lb)	Nm (ft-lb)	Nm (ft-lb)						
LPS-20A-385X-D1	start	3700 (2729)	3669 (2706)	4444 (3278)	4407 (3250)	5189 (3827)	5146 (3795)	5933 (4376)	5884 (4340)	6677 (4925)	6622 (4884)	7.6 (110)	12000 (8851)	26,4 (1611)			
	run	2079 (1533)	2062 (1521)	2497 (1842)	2477 (1827)	2916 (2151)	2892 (2133)	3334 (2459)	3306 (2438)	3752 (2767)	3721 (2744)						
	end	3923 (2893)	3890 (2869)	4712 (3475)	4673 (3447)	5501 (4057)	5456 (4024)	6291 (4640)	6238 (4601)	7080 (5222)	7021 (5178)						
LPS-20A-435X-D1	start	4723 (3484)	4692 (3461)	5673 (4184)	5636 (4157)	6624 (4886)	6581 (4854)	7574 (5586)	7525 (5550)	8524 (6287)	8469 (6246)	5.9 (86)	12000 (8851)	33,7 (2057)			
	run	2654 (1957)	2637 (1945)	3188 (2351)	3168 (2337)	3722 (2745)	3698 (2728)	4256 (3139)	4229 (3119)	4790 (3533)	4759 (3510)						
	end	5008 (3694)	4975 (3669)	6015 (4436)	5976 (4408)	7023 (5180)	6977 (5146)	8031 (5923)	7978 (5884)	9038 (6666)	8980 (6623)						
LPS-20A-485X-D1	start	5871 (4330)	5840 (4307)	7053 (5202)	7016 (5175)	8234 (6073)	8191 (6041)	9415 (6944)	9366 (6908)			4.8 (70)	12000 (8851)	41,9 (2557)			
	run	3299 (2433)	3282 (2421)	3963 (2923)	3942 (2907)	4627 (3413)	4603 (3395)	5291 (3902)	5263 (3882)								
	end	6225 (4591)	6192 (4567)	7478 (5515)	7438 (5486)	8730 (6439)	8685 (6406)	9983 (7363)	9931 (7325)								
LPS-20C-335X-D1	start	4249 (3134)	2259 (1666)	5104 (3765)	2714 (2002)	5958 (4394)	3168 (2337)	6813 (5025)	3623 (2672)	7668 (5656)	4077 (3007)	6,6 (96)	12000 (8851)	20,4 (1245)			
	run	1561 (1151)	1539 (1135)	1875 (1383)	1849 (1364)	2189 (1615)	2158 (1592)	2503 (1846)	2468 (1820)	2817 (2078)	2778 (2049)						
	end	2284 (1685)	4503 (3321)	2744 (2024)	5409 (3989)	3203 (2362)	6315 (4658)	3663 (2702)	7221 (5326)	4122 (3040)	8127 (5994)						
LPS-20C-360X-D1	start	4906 (3618)	2613 (1927)	5894 (4347)	3138 (2314)	6881 (5075)	3664 (2702)	7868 (5803)	4190 (3090)	8855 (6531)	4715 (3478)	5,7 (83)	12000 (8851)	23,6 (1440)			
	run	1802 (1329)	1780 (1313)	2165 (1597)	2138 (1577)	2528 (1865)	2496 (1841)	2890 (2132)	2854 (2105)	3253 (2399)	3213 (2370)						
	end	2638 (1946)	5207 (3840)	3168 (2337)	6255 (4613)	3699 (2728)	7303 (5386)	4230 (3120)	8351 (6159)	4760 (3511)	9399 (6932)						
LPS-20C-385X-D1	start	5612 (4139)	2992 (2207)	6741 (4972)	3594 (2651)	7870 (5805)	4196 (3095)	8999 (6637)	4798 (3539)	10128 (7470)	5400 (3983)	5 (73)	12000 (8851)	27 (1648)			
	run	2061 (1520)	2038 (1503)	2476 (1826)	2448 (1806)	2891 (2132)	2858 (2108)	3306 (2438)	3269 (2411)	3720 (2744)	3679 (2713)						
	end	3017 (2225)	5963 (4398)	3624 (2673)	7163 (5283)	4231 (3121)	8363 (6168)	4838 (3568)	9562 (7053)	5445 (4016)	10762 (7938)						
LPS-20C-435X-D1	start	7164 (5284)	3826 (2822)	8605 (6347)	4596 (3390)	10047 (7410)	5366 (3958)					3,9 (57)	12000 (8851)	34,4 (2099)			
	run	2632 (1941)	2607 (1923)	3161 (2331)	3131 (2309)	3691 (2722)	3656 (2697)										
	end	3851 (2840)	7626 (5625)	4626 (3412)	9161 (6757)	5401 (3984)	10695 (7888)										

Actuator Model		METRIC/IMPERIAL TORQUE TABLE													Max Operating Pressure	Max Operating Torque	Swept Volume*
		barg (PSIG)		barg (PSIG)		barg (PSIG)		barg (PSIG)		barg (PSIG)		barg (PSIG)	Nm (ft-lb)	L (cu in)			
		2.5 (36)		3 (44)		3.5 (5.1)		4 (58)		4.5 (65)							
		Output Torque Nm (ft-lb) @ supply pressure															
		OPEN	CLOSE	OPEN	CLOSE	OPEN	CLOSE	OPEN	CLOSE	OPEN	CLOSE	OPEN	CLOSE				
Nm (ft-lb)	Nm (ft-lb)	Nm (ft-lb)	Nm (ft-lb)	Nm (ft-lb)	Nm (ft-lb)	Nm (ft-lb)	Nm (ft-lb)	Nm (ft-lb)	Nm (ft-lb)	Nm (ft-lb)	Nm (ft-lb)						
LPS-20C-485X-D1	start	8905 (6568)	4762 (3512)											3,1 (45)	12000 (8851)	42,8 (2612)	
	run	3271 (2413)	3245 (2393)														
	end	4787 (3531)	9492 (7001)														
LPS-25A-435X-D1	start	5834 (4303)	5785 (4267)	7008 (5169)	6949 (5125)	8182 (6035)	8113 (5984)	9356 (6901)	9277 (6842)	10530 (7767)	10441 (7701)			8,4 (122)	21000 (15489)	41,6 (2539)	
	run	3279 (2418)	3251 (2398)	3938 (2905)	3905 (2880)	4598 (3391)	4559 (3363)	5258 (3878)	5213 (3845)	5918 (4365)	5867 (4327)						
	end	6186 (4563)	6133 (4523)	7431 (5481)	7368 (5434)	8675 (6398)	8602 (6344)	9920 (7317)	9836 (7255)	11165 (8235)	11070 (8165)						
LPS-25A-485X-D1	start	7253 (5350)	7203 (5313)	8712 (6426)	8652 (6381)	10171 (7502)	10102 (7451)	11631 (8579)	11551 (8520)	13090 (9655)	13001 (9589)			6,8 (99)	21000 (15489)	51,7 (3155)	
	run	4076 (3006)	4048 (2986)	4896 (3611)	4862 (3586)	5716 (4216)	5677 (4187)	6536 (4821)	6491 (4788)	7356 (5425)	7306 (5389)						
	end	7690 (5672)	7637 (5633)	9237 (6813)	9174 (6766)	10784 (7954)	10711 (7900)	12332 (9096)	12248 (9034)	13879 (10237)	13784 (10167)						
LPS-25A-535X-D1	start	8825 (6509)	8776 (6473)	10601 (7819)	10541 (7775)	12377 (9129)	12307 (9077)	14152 (10438)	14073 (10380)	15928 (11748)	15839 (11682)			5,5 (80)	21000 (15489)	63 (3844)	
	run	4959 (3658)	4932 (3638)	5957 (4394)	5924 (4369)	6955 (5130)	6916 (5101)	7953 (5866)	7908 (5833)	8951 (6602)	8901 (6565)						
	end	9357 (6901)	9304 (6862)	11240 (8290)	11177 (8244)	13123 (9679)	13049 (9624)	15005 (11067)	14921 (11005)	16888 (12456)	16793 (12386)						
LPS-25A-585X-D1	start	10611 (7826)	10562 (7790)	12734 (9392)	12675 (9349)	14858 (10959)	14788 (10907)	16981 (12525)	16901 (12466)					4,6 (67)	21000 (15489)	75,3 (4595)	
	run	5963 (4398)	5935 (4377)	7156 (5278)	7123 (5254)	8349 (6158)	8310 (6129)	9542 (7038)	9498 (7005)								
	end	11251 (8298)	11198 (8259)	13502 (9959)	13439 (9912)	15753 (11619)	15679 (11564)	18004 (13279)	17920 (13217)								
LPS-25C-435X-D1	start	8850 (6527)	4717 (3479)	10630 (7840)	5666 (4179)	12411 (9154)	6615 (4879)	14191 (10467)	7564 (5579)	15972 (11780)	8513 (6279)			5,5 (80)	21000 (15489)	42,1 (2569)	
	run	3251 (2398)	3214 (2371)	3905 (2880)	3860 (2847)	4559 (3363)	4507 (3324)	5213 (3845)	5154 (3801)	5867 (4327)	5800 (4278)						
	end	4757 (3509)	9402 (6935)	5714 (4214)	11294 (8330)	6672 (4921)	13185 (9725)	7629 (5627)	15077 (11120)	8586 (6333)	16969 (12516)						
LPS-25C-485X-D1	start	11001 (8114)	5873 (4332)	13214 (9746)	7055 (5203)	15428 (11379)	8237 (6075)	17641 (13011)	9419 (6947)					4,4 (64)	21000 (15489)	52,3 (3192)	
	run	4041 (2980)	4002 (2952)	4854 (3580)	4807 (3545)	5667 (4180)	5612 (4139)	6480 (4779)	6417 (4733)								
	end	5914 (4362)	11707 (8635)	7104 (5240)	14062 (10372)	8294 (6117)	16418 (12109)	9483 (6994)	18774 (13847)								

Actuator Model		METRIC/IMPERIAL TORQUE TABLE													Max Operating Pressure	Max Operating Torque	Swept Volume*
		barg (PSIG)		barg (PSIG)		barg (PSIG)		barg (PSIG)		barg (PSIG)		barg (PSIG)	Nm (ft-lb)	L (cu in)			
		2.5 (36)		3 (44)		3.5 (5.1)		4 (58)		4.5 (65)							
		Output Torque Nm (ft-lb) @ supply pressure															
		OPEN	CLOSE	OPEN	CLOSE	OPEN	CLOSE	OPEN	CLOSE	OPEN	CLOSE	OPEN	CLOSE				
Nm (ft-lb)	Nm (ft-lb)	Nm (ft-lb)	Nm (ft-lb)	Nm (ft-lb)	Nm (ft-lb)	Nm (ft-lb)	Nm (ft-lb)	Nm (ft-lb)	Nm (ft-lb)	Nm (ft-lb)	Nm (ft-lb)						
LPS-25C-535X-D1	start	13386 (9873)	7156 (5278)	16079 (11859)	8595 (6339)									3,6 (52)	21000 (15489)	63,7 (3887)	
	run	4917 (3627)	4875 (3596)	5907 (4357)	5856 (4319)												
	end	7196 (5307)	14262 (10519)	8644 (6375)	17132 (12636)												
LPS-25C-585X-D1	start	16095 (11871)	8612 (6352)											3 (44)	21000 (15489)	76,1 (4644)	
	run	5912 (4360)	5868 (4328)														
	end	8652 (6381)	17165 (12660)														
LPS-30A-535X-D1	start	11474 (8463)	11373 (8388)	13783 (10166)	13662 (10077)	16092 (11869)	15950 (11764)	18400 (13571)	18239 (13452)	20709 (15274)	20528 (15141)			8,2 (119)	40500 (29871)	80,5 (4912)	
	run	6448 (4756)	6391 (4714)	7746 (5713)	7678 (5663)	9043 (6670)	8964 (6611)	10340 (7626)	10250 (7560)	11638 (8584)	11536 (8509)						
	end	12166 (8973)	12059 (8894)	14614 (10779)	14485 (10684)	17062 (12584)	16912 (12474)	19509 (14389)	19338 (14263)	21957 (16195)	21765 (16053)						
LPS-30A-585X-D1	start	13796 (10175)	13696 (10102)	16557 (12212)	16436 (12123)	19317 (14247)	19176 (14143)	22078 (16284)	21916 (16164)	24838 (18320)	24657 (18186)			6,9 (100)	40500 (29871)	96,2 (5870)	
	run	7753 (5718)	7696 (5676)	9304 (6862)	9236 (6812)	10856 (8007)	10776 (7948)	12407 (9151)	12316 (9084)	13958 (10295)	13856 (10220)						
	end	14628 (10789)	14521 (10710)	17555 (12948)	17426 (12853)	20482 (15107)	20332 (14996)	23408 (17265)	23237 (17139)	26335 (19424)	26143 (19282)						
LPS-30A-635X-D1	start	16256 (11990)	16155 (11915)	19508 (14388)	19387 (14299)	22760 (16787)	22619 (16683)	26013 (19186)	25852 (19067)	29265 (21585)	29084 (21451)			5,8 (84)	40500 (29871)	113,4 (6920)	
	run	9135 (6738)	9078 (6696)	10963 (8086)	10895 (8036)	12790 (9433)	12711 (9375)	14618 (10782)	14528 (10715)	16446 (12130)	16344 (12055)						
	end	17235 (12712)	17128 (12633)	20684 (15256)	20556 (15161)	24132 (17799)	23983 (17689)	27581 (20343)	27410 (20217)	31029 (22886)	30837 (22744)						
LPS-30A-685X-D1	start	18916 (13952)	18816 (13878)	22701 (16743)	22580 (16654)	26486 (19535)	26345 (19431)	30271 (22327)	30109 (22207)	34056 (25118)	33874 (24984)			5 (73)	40500 (29871)	131,9 (8049)	
	run	10630 (7840)	10574 (7799)	12757 (9409)	12689 (9359)	14884 (10978)	14805 (10920)	17011 (12547)	16920 (12480)	19138 (14115)	19036 (14040)						
	end	20056 (14793)	19950 (14714)	24069 (17752)	23941 (17658)	28082 (20712)	27933 (20602)	32095 (23672)	31924 (23546)	36108 (26632)	35916 (26490)						
LPS-30C-535X-D1	start	17404 (12837)	9274 (6840)	20906 (15419)	11140 (8216)	24407 (18002)	13006 (9593)	27909 (20585)	14872 (10969)	31411 (23168)	16738 (12345)			5,4 (78)	40500 (29871)	80,7 (4925)	
	run	6393 (4715)	6318 (4660)	7680 (5664)	7590 (5598)	8966 (6613)	8861 (6536)	10252 (7561)	10133 (7474)	11538 (8510)	11404 (8411)						
	end	9356 (6901)	18485 (13634)	11238 (8289)	22204 (16377)	13121 (9678)	25923 (19120)	15003 (11066)	29643 (21864)	16886 (12454)	33362 (24607)						

Actuator Model		METRIC/IMPERIAL TORQUE TABLE													Max Operating Pressure	Max Operating Torque	Swept Volume*
		barg (PSIG)		barg (PSIG)		barg (PSIG)		barg (PSIG)		barg (PSIG)		barg (PSIG)	Nm (ft-lb)	L (cu in)			
		2.5 (36)		3 (44)		3.5 (5.1)		4 (58)		4.5 (65)							
		Output Torque Nm (ft-lb) @ supply pressure															
		OPEN	CLOSE	OPEN	CLOSE	OPEN	CLOSE	OPEN	CLOSE	OPEN	CLOSE	OPEN	CLOSE				
Nm (ft-lb)	Nm (ft-lb)	Nm (ft-lb)	Nm (ft-lb)	Nm (ft-lb)	Nm (ft-lb)	Nm (ft-lb)	Nm (ft-lb)	Nm (ft-lb)	Nm (ft-lb)	Nm (ft-lb)	Nm (ft-lb)						
LPS-30C-585X-D1	start	20926 (15434)	11167 (8236)	25113 (18522)	13402 (9885)	29300 (21611)	15636 (11533)	33487 (24699)	17870 (13180)					4,5 (65)	40500 (29871)	96,5 (5889)	
	run	7687 (5670)	7608 (5611)	9225 (6804)	9131 (6735)	10763 (7938)	10653 (7857)	12301 (9073)	12176 (8981)								
	end	11249 (8297)	22259 (16417)	13500 (9957)	26712 (19702)	15751 (11617)	31166 (22987)	18002 (13278)	35619 (26271)								
LPS-30C-635X-D1	start	24656 (18185)	13172 (9715)	29589 (21824)	15808 (11659)									3,8 (55)	40500 (29871)	113,7 (6938)	
	run	9057 (6680)	8975 (6620)	10869 (8017)	10770 (7944)												
	end	13254 (9776)	26256 (19365)	15906 (11732)	31509 (23240)												
LPS-30C-685X-D1	start	28692 (21162)	15342 (11316)											3,3 (48)	40500 (29871)	132,3 (8073)	
	run	10540 (7774)	10453 (7710)														
	end	15424 (11376)	30580 (22555)														
LPS-35A-685X-D1	start	23377 (17242)	23166 (17086)	28054 (20692)	27802 (20506)	32731 (24141)	32437 (23924)	37409 (27591)	37072 (27343)	42086 (31041)	41707 (30761)			7,5 (109)	75000 (55317)	164,6 (10045)	
	run	13137 (9689)	13018 (9602)	15765 (11628)	15623 (11523)	18394 (13567)	18228 (13444)	21022 (15505)	20833 (15366)	23650 (17443)	23438 (17287)						
	end	24786 (18281)	24562 (18116)	29745 (21939)	29477 (21741)	34704 (25596)	34392 (25366)	39663 (29254)	39306 (28991)	44622 (32911)	44220 (32615)						
LPS-35A-735X-D1	start	26914 (19851)	26704 (19696)	32299 (23822)	32046 (23636)	37684 (27794)	37389 (27577)	43069 (31766)	42732 (31517)	48454 (35738)	48075 (35458)			6,5 (94)	75000 (55317)	189,6 (11570)	
	run	15125 (11156)	15006 (11068)	18151 (13387)	18009 (13283)	21177 (15619)	21011 (15497)	24203 (17851)	24014 (17712)	27229 (20083)	27016 (19926)						
	end	28536 (21047)	28313 (20883)	34246 (25259)	33978 (25061)	39955 (29469)	39643 (29239)	45665 (33681)	45308 (33417)	51374 (37891)	50972 (37595)						
LPS-35A-785X-D1	start	30700 (22643)	30490 (22488)	36843 (27174)	36590 (26987)	42986 (31705)	42691 (31487)	49128 (36235)	48791 (35986)	55271 (40766)	54892 (40486)			5,7 (83)	75000 (55317)	216,2 (13193)	
	run	17252 (12724)	17134 (12637)	20704 (15270)	20562 (15166)	24156 (17817)	23990 (17694)	27608 (20363)	27419 (20223)	31060 (22909)	30847 (22752)						
	end	32551 (24008)	32328 (23844)	39064 (28812)	38796 (28614)	45576 (33615)	45264 (33385)	52089 (38419)	51732 (38156)	58602 (43223)	58200 (42926)						
LPS-35A-835X-D1	start	34736 (25620)	34525 (25464)	41686 (30746)	41433 (30559)	48636 (35872)	48341 (35654)	55586 (40998)	55249 (40750)	62536 (46124)	62157 (45845)			5 (73)	75000 (55317)	244,7 (14933)	
	run	19520 (14397)	19402 (14310)	23426 (17278)	23284 (17173)	27331 (20158)	27166 (20037)	31237 (23039)	31048 (22900)	35142 (25919)	34930 (25763)						
	end	36829 (27164)	36606 (26999)	44198 (32599)	43930 (32401)	51567 (38034)	51254 (37803)	58936 (43469)	58579 (43206)	66305 (48904)	65903 (48607)						

Actuator Model	METRIC/IMPERIAL TORQUE TABLE													Max Operating Pressure	Max Operating Torque	Swept Volume*
	barg (PSIG)		barg (PSIG)		barg (PSIG)		barg (PSIG)		barg (PSIG)		barg (PSIG)	Nm (ft-lb)	L (cu in)			
	2.5 (36)		3 (44)		3.5 (5.1)		4 (58)		4.5 (65)							
	Output Torque Nm (ft-lb) @ supply pressure															
	OPEN	CLOSE	OPEN	CLOSE	OPEN	CLOSE	OPEN	CLOSE	OPEN	CLOSE	OPEN	CLOSE				
Nm (ft-lb)	Nm (ft-lb)	Nm (ft-lb)	Nm (ft-lb)	Nm (ft-lb)	Nm (ft-lb)	Nm (ft-lb)	Nm (ft-lb)	Nm (ft-lb)	Nm (ft-lb)	Nm (ft-lb)	Nm (ft-lb)					
LPS-35A-885X-D1	start	39020 (28780)	38810 (28625)	46828 (34539)	46575 (34352)	54635 (40297)	54340 (40079)	62442 (46055)	62105 (45806)					4,5 (65)	75000 (55317)	274,8 (16769)
	run	21928 (16173)	21810 (16086)	26315 (19409)	26173 (19304)	30703 (22645)	30537 (22523)	35090 (25881)	34901 (25742)							
	end	41372 (30514)	41149 (30350)	49650 (36620)	49382 (36422)	57928 (42725)	57615 (42495)	66205 (48830)	65848 (48567)							
LPS-35A-935X-D1	start	43554 (32124)	43344 (31969)	52268 (38551)	52016 (38365)	60983 (44979)	60688 (44761)							4 (58)	75000 (55317)	306,8 (18722)
	run	24476 (18053)	24357 (17965)	29373 (21664)	29231 (21560)	34270 (25276)	34104 (25154)									
	end	46179 (34060)	45956 (33895)	55419 (40875)	55151 (40677)	64658 (47689)	64346 (47459)									
LPS-35C-685X-D1	start	35457 (26152)	18889 (13932)	42552 (31385)	22669 (16720)	49646 (36617)	26448 (19507)	56740 (41849)	30228 (22295)					4,9 (71)	75000 (55317)	165,2 (10081)
	run	13025 (9607)	12870 (9492)	15631 (11529)	15445 (11392)	18237 (13451)	18020 (13291)	20843 (15373)	20595 (15190)							
	end	19061 (14059)	37651 (27770)	22875 (16872)	45184 (33326)	26688 (19684)	52717 (38882)	30502 (22497)	60251 (44439)							
LPS-35C-735X-D1	start	40822 (30109)	21774 (16060)	48990 (36133)	26130 (19272)	57158 (42158)	30486 (22485)							4,3 (62)	75000 (55317)	190,2 (11607)
	run	14996 (11060)	14835 (10942)	17996 (13273)	17803 (13131)	20997 (15487)	20771 (15320)									
	end	21945 (16186)	43400 (32010)	26336 (19424)	52083 (38414)	30727 (22663)	60767 (44819)									
LPS-35C-785X-D1	start	46565 (34345)	24861 (18337)	55882 (41216)	29835 (22005)									3,7 (54)	75000 (55317)	217 (13242)
	run	17106 (12617)	16938 (12493)	20528 (15141)	20328 (14993)											
	end	25032 (18463)	49554 (36549)	30041 (22157)	59468 (43861)											
LPS-35C-835X-D1	start	52686 (38859)	28151 (20763)	63228 (46635)	33784 (24918)									3,3 (48)	75000 (55317)	245,5 (14981)
	run	19354 (14275)	19180 (14146)	23226 (17131)	23018 (16977)											
	end	28323 (20890)	56112 (41386)	33990 (25070)	67339 (49667)											
LPS-35C-885X-D1	start	59185 (43653)	31645 (23340)											2,9 (42)	75000 (55317)	275,8 (16830)
	run	21741 (16035)	21561 (15903)													
	end	31816 (23466)	63076 (46522)													

Actuator Model		METRIC/IMPERIAL TORQUE TABLE													Max Operating Pressure	Max Operating Torque	Swept Volume*
		barg (PSIG)		barg (PSIG)		barg (PSIG)		barg (PSIG)		barg (PSIG)		barg (PSIG)	Nm (ft-lb)	L (cu in)			
		2.5 (36)		3 (44)		3.5 (5.1)		4 (58)		4.5 (65)							
		Output Torque Nm (ft-lb) @ supply pressure															
		OPEN	CLOSE	OPEN	CLOSE	OPEN	CLOSE	OPEN	CLOSE	OPEN	CLOSE	OPEN	CLOSE				
Nm (ft-lb)	Nm (ft-lb)	Nm (ft-lb)	Nm (ft-lb)	Nm (ft-lb)	Nm (ft-lb)	Nm (ft-lb)	Nm (ft-lb)	Nm (ft-lb)	Nm (ft-lb)	Nm (ft-lb)	Nm (ft-lb)						
LPS-40A-835X-D1	start	42567 (31396)	42176 (31107)	51084 (37678)	50614 (37331)	59600 (43959)	59053 (43555)	68117 (50240)	67492 (49779)	76634 (56522)	75930 (56003)	8.3 (120)	150000 (110634)	307,6 (18771)			
	run	23921 (17643)	23701 (17481)	28707 (21173)	28443 (20978)	33493 (24703)	33185 (24476)	38279 (28233)	37928 (27974)	43065 (31763)	42670 (31472)						
	end	45132 (33288)	44718 (32982)	54162 (39948)	53665 (39581)	63192 (46608)	62612 (46180)	72222 (53268)	71559 (52779)	81253 (59929)	80507 (59379)						
LPS-40A-885X-D1	start	47817 (35268)	47426 (34980)	57384 (42324)	56916 (41979)	66952 (49381)	66405 (48978)	76519 (56437)	75894 (55976)	86086 (63494)	85383 (62975)	7.3 (106)	150000 (110634)	345,5 (21084)			
	run	26871 (19819)	26652 (19657)	32248 (23785)	31984 (23590)	37624 (27750)	37317 (27524)	43001 (31716)	42649 (31456)	48377 (35681)	47982 (35390)						
	end	50699 (37394)	50285 (37088)	60843 (44875)	60346 (44509)	70987 (52357)	70407 (51929)	81131 (59839)	80468 (59350)	91275 (67321)	90529 (66771)						
LPS-40A-985X-D1	start	59234 (43689)	58843 (43400)	71086 (52430)	70616 (52084)	82937 (61171)	82390 (60768)	94788 (69912)	94163 (69451)	106640 (78654)	105936 (78134)	5.9 (86)	150000 (110634)	428 (26118)			
	run	33287 (24551)	33067 (24389)	39947 (29463)	39684 (29269)	46607 (34376)	46300 (34149)	53267 (39288)	52916 (39029)	59927 (44200)	59532 (43908)						
	end	62804 (46322)	62390 (46016)	75370 (55590)	74872 (55223)	87936 (64858)	87355 (64430)	100501 (74126)	99838 (73637)	113067 (83394)	112321 (82844)						
LPS-40A-1050X-D1	start	67310 (49645)	66919 (49357)	80777 (59578)	80308 (59232)	94244 (69511)	93697 (69107)	107712 (79444)	107086 (78982)	121179 (89377)	120475 (88858)	5.2 (75)	150000 (110634)	486,4 (29682)			
	run	37825 (27898)	37606 (27737)	45393 (33480)	45130 (33286)	52961 (39062)	52654 (38836)	60529 (44644)	60178 (44385)	68098 (50226)	67702 (49934)						
	end	71366 (52637)	70952 (52331)	85645 (63168)	85148 (62802)	99924 (73700)	99344 (73272)	114203 (84232)	113540 (83743)	128482 (94763)	127736 (94213)						
LPS-40A-1200X-D1	start	87914 (64842)	87524 (64554)	105504 (77816)	105035 (77470)	123094 (90789)	122547 (90386)					4 (58)	150000 (110634)	635,3 (38768)			
	run	49404 (36438)	49185 (36277)	59289 (43729)	59026 (43535)	69174 (51020)	68866 (50793)										
	end	93213 (68750)	92799 (68445)	111863 (82506)	111366 (82139)	130513 (96261)	129933 (95834)										
LPS-40C-835X-D1	start	64564 (47620)	34389 (25364)	77482 (57148)	41270 (30439)	90400 (66676)	48151 (35514)	103318 (76203)	55031 (40589)	116236 (85731)	61912 (45664)	5.4 (78)	150000 (110634)	308,6 (18832)			
	run	23717 (17493)	23431 (17282)	28462 (20992)	28119 (20739)	33208 (24493)	32807 (24197)	37953 (27993)	37495 (27655)	42698 (31492)	42183 (31113)						
	end	34708 (25599)	68546 (50557)	41652 (30721)	82261 (60673)	48597 (35843)	95976 (70788)	55541 (40965)	109690 (80903)	62485 (46086)	123405 (91019)						
LPS-40C-885X-D1	start	72528 (53494)	38671 (28522)	87039 (64197)	46408 (34229)	101550 (74899)	54145 (39935)	116062 (85603)	61882 (45642)			4.8 (70)	150000 (110634)	346,6 (21151)			
	run	26642 (19650)	26347 (19433)	31973 (23582)	31619 (23321)	37304 (27514)	36891 (27209)	42634 (31445)	42162 (31097)								
	end	38989 (28757)	77079 (56850)	46790 (34510)	92502 (68226)	54591 (40264)	107924 (79601)	62392 (46018)	123346 (90975)								

Actuator Model		METRIC/IMPERIAL TORQUE TABLE													Max Operating Pressure	Max Operating Torque	Swept Volume*
		barg (PSIG)		barg (PSIG)		barg (PSIG)		barg (PSIG)		barg (PSIG)		barg (PSIG)	Nm (ft-lb)	L (cu in)			
		2.5 (36)		3 (44)		3.5 (5.1)		4 (58)		4.5 (65)							
		Output Torque Nm (ft-lb) @ supply pressure															
		OPEN	CLOSE	OPEN	CLOSE	OPEN	CLOSE	OPEN	CLOSE	OPEN	CLOSE	OPEN	CLOSE				
Nm (ft-lb)	Nm (ft-lb)	Nm (ft-lb)	Nm (ft-lb)	Nm (ft-lb)	Nm (ft-lb)	Nm (ft-lb)	Nm (ft-lb)	Nm (ft-lb)	Nm (ft-lb)	Nm (ft-lb)	Nm (ft-lb)						
LPS-40C-985X-D1	start	89844 (66265)	47980 (35388)	107820 (79524)	57579 (42468)	125796 (92782)	67179 (49549)							3.9 (57)	150000 (110634)	429,4 (26204)	
	run	33004 (24342)	32690 (24111)	39607 (29213)	39230 (28935)	46210 (34083)	45771 (33759)										
	end	48298 (35623)	95634 (70536)	57961 (42750)	114769 (84649)	67625 (49878)	133903 (98762)										
LPS-40C-1050X-D1	start	102093 (75300)	54564 (40244)	122520 (90366)	65481 (48296)									3.4 (49)	150000 (110634)	487,9 (29773)	
	run	37503 (27661)	37176 (27420)	45007 (33195)	44614 (32906)												
	end	54883 (40480)	108759 (80216)	65864 (48579)	130520 (96266)												
LPS-50A-1050X-D1	start	83350 (61476)	82594 (60918)	100027 (73776)	99120 (73107)	116704 (86076)	115645 (85295)	133381 (98377)	132171 (97484)	150058 (110677)	148696 (109672)			8,4 (122)	300000 (221269)	617,2 (37664)	
	run	46840 (34547)	46414 (34233)	56211 (41459)	55701 (41083)	65583 (48371)	64988 (47933)	74954 (55283)	74274 (54782)	84326 (62196)	83561 (61631)						
	end	88374 (65181)	87572 (64590)	106056 (78223)	105094 (77513)	123738 (91264)	122615 (90436)	141420 (104306)	140136 (103359)	159101 (117347)	157658 (116282)						
LPS-50A-1200X-D1	start	108866 (80295)	108110 (79738)	130648 (96361)	129740 (95691)	152430 (112426)	151371 (111645)	174212 (128492)	173002 (127600)	195994 (144558)	194632 (143553)			6,4 (93)	300000 (221269)	806,1 (49191)	
	run	61178 (45123)	60753 (44809)	73419 (54151)	72909 (53775)	85659 (63179)	85064 (62740)	97900 (72207)	97220 (71706)	110140 (81235)	109375 (80671)						
	end	115427 (85134)	114625 (84543)	138522 (102168)	137560 (101459)	161616 (119202)	160494 (118374)	184711 (136236)	183428 (135289)	207806 (153270)	206362 (152205)						
LPS-50A-1300X-D1	start	127766 (94235)	127010 (93678)	153330 (113090)	152422 (112421)	178893 (131944)	177834 (131163)	204457 (150800)	203247 (149907)	230020 (169654)	228659 (168650)			5,5 (80)	300000 (221269)	946 (57728)	
	run	71799 (52956)	71374 (52643)	86165 (63552)	85655 (63176)	100531 (74148)	99936 (73709)	114896 (84743)	114216 (84241)	129262 (95339)	128497 (94774)						
	end	135467 (99915)	134665 (99324)	162571 (119906)	161608 (119196)	189675 (139897)	188552 (139069)	216779 (159888)	215496 (158941)	243883 (179879)	242440 (178814)						
LPS-50A-1400X-D1	start	148179 (109291)	147422 (108733)	177826 (131158)	176919 (130489)	207474 (153025)	206415 (152244)	237121 (174891)	235911 (173999)					4,7 (68)	300000 (221269)	1097,2 (66955)	
	run	83270 (61417)	82845 (61103)	99931 (73705)	99421 (73329)	116592 (85994)	115997 (85555)	133252 (98281)	132572 (97780)								
	end	157109 (115877)	156307 (115286)	188544 (139063)	187581 (138352)	219978 (162247)	218855 (161419)	251412 (185432)	250130 (184486)								
LPS-50A-1500X-D1	start	170103 (125461)	169347 (124904)	204137 (150563)	203230 (149895)	238171 (175666)	237113 (174885)							4,1 (59)	300000 (221269)	1259,5 (76859)	
	run	95591 (70504)	95166 (70191)	114717 (84611)	114207 (84235)	133843 (98717)	133248 (98279)										
	end	180355 (133023)	179553 (132431)	216440 (159638)	215478 (158928)	252526 (186253)	251403 (185425)										

Actuator Model		METRIC/IMPERIAL TORQUE TABLE												Max Operating Pressure	Max Operating Torque	Swept Volume*
		barg (PSIG)		barg (PSIG)		barg (PSIG)		barg (PSIG)		barg (PSIG)						
		2.5 (36)		3 (44)		3.5 (5.1)		4 (58)		4.5 (65)						
		Output Torque Nm (ft-lb) @ supply pressure														
		OPEN	CLOSE	OPEN	CLOSE	OPEN	CLOSE	OPEN	CLOSE	OPEN	CLOSE	OPEN	CLOSE			
Nm (ft-lb)	Nm (ft-lb)	Nm (ft-lb)	Nm (ft-lb)	Nm (ft-lb)	Nm (ft-lb)	Nm (ft-lb)	Nm (ft-lb)	Nm (ft-lb)	Nm (ft-lb)	Nm (ft-lb)	Nm (ft-lb)	barg (PSIG)	Nm (ft-lb)	L (cu in)		
LPS-50C-1050X-D1	start	126423 (93245)	67346 (49672)	151718 (111901)	80820 (59610)	177012 (130557)	94295 (69548)	202307 (149214)	107769 (79486)	227602 (167870)	121244 (89425)	5,5 (80)	300000 (221269)	595,4 (36334)		
	run	46441 (34253)	45885 (33843)	55733 (41106)	55065 (40614)	65024 (47959)	64246 (47385)	74316 (54813)	73426 (54156)	83608 (61666)	82607 (60928)					
	end	67962 (50126)	134236 (99007)	81560 (60155)	161094 (118817)	95158 (70185)	187952 (138626)	108755 (80213)	214810 (158435)	122353 (90243)	241667 (178244)					
LPS-50C-1200X-D1	start	165124 (121789)	88150 (65016)	198162 (146157)	105788 (78025)	231200 (170524)	123425 (91033)					4,2 (61)	300000 (221269)	777,6 (47452)		
	run	60657 (44738)	60060 (44298)	72794 (53690)	72076 (53160)	84930 (62641)	84093 (62024)									
	end	88767 (65471)	175704 (129592)	106527 (78570)	210859 (155521)	124287 (91669)	246014 (181450)									
LPS-50C-1300X-D1	start	193791 (142933)	103561 (76383)	232565 (171531)	124282 (91666)							3,6 (52)	300000 (221269)	912,6 (55690)		
	run	71188 (52505)	70560 (52042)	85431 (63011)	84677 (62454)											
	end	104177 (76837)	206422 (152249)	125021 (92211)	247723 (182711)											
LPS-50C-1400X-D1	start	224752 (165768)	120205 (88659)									3,1 (45)	300000 (221269)	1058,4 (64588)		
	run	82561 (60894)	81900 (60406)													
	end	120821 (89113)	239597 (176717)													

(*) Note: MAWP (Maximum Allowable Working Pressure) : 12 barg. Actuators with (**) have exceptionally MAWP = 10,5 barg.

LPS Double Acting: Performance Tables - barg 5 - 9

Actuator Model	METRIC/IMPERIAL TORQUE TABLE													Max Operating Pressure	Max Operating Torque	Swept Volume*
	barg (PSIG)		barg (PSIG)		barg (PSIG)		barg (PSIG)		barg (PSIG)		barg (PSIG)	Nm (ft-lb)	L (cu in)			
	5 (73)		5.5 (80)		6 (87)		7 (102)		9 (131)							
	Output Torque Nm (ft-lb) @ supply pressure															
	OPEN	CLOSE	OPEN	CLOSE	OPEN	CLOSE	OPEN	CLOSE	OPEN	CLOSE	OPEN	CLOSE				
Nm (ft-lb)	Nm (ft-lb)	Nm (ft-lb)	Nm (ft-lb)	Nm (ft-lb)	Nm (ft-lb)	Nm (ft-lb)	Nm (ft-lb)	Nm (ft-lb)	Nm (ft-lb)	Nm (ft-lb)	Nm (ft-lb)					
LPS-15A-255X-D1	start	2462 (1816)	2428 (1791)	2709 (1998)	2671 (1970)	2956 (2180)	2915 (2150)	3450 (2545)	3402 (2509)	4437 (3273)	4376 (3228)	11,4 (165)	6000 (4425)	9,2 (561)		
	run	1383 (1020)	1364 (1006)	1522 (1123)	1501 (1107)	1661 (1225)	1638 (1208)	1938 (1429)	1912 (1410)	2494 (1839)	2459 (1814)					
	end	2610 (1925)	2574 (1898)	2872 (2118)	2832 (2089)	3134 (2312)	3090 (2279)	3657 (2697)	3607 (2660)	4705 (3470)	4639 (3422)					
LPS-15A-285X-D1	start	3075 (2268)	3041 (2243)	3384 (2496)	3346 (2468)	3692 (2723)	3651 (2693)	4309 (3178)	4261 (3143)	9,1 (132)	6000 (4425)	11,4 (696)				
	run	1728 (1275)	1709 (1260)	1901 (1402)	1880 (1387)	2075 (1530)	2052 (1513)	2421 (1786)	2394 (1766)							
	end	3260 (2404)	3224 (2378)	3588 (2646)	3548 (2617)	3914 (2887)	3871 (2855)	4569 (3370)	4518 (3332)							
LPS-15A-300X-D1	start	3407 (2513)	3373 (2488)	3749 (2765)	3712 (2738)	4091 (3017)	4050 (2987)	4774 (3521)	4727 (3486)	8,2 (119)	6000 (4425)	12,7 (775)				
	run	1915 (1412)	1896 (1398)	2107 (1554)	2086 (1539)	2299 (1696)	2276 (1679)	2683 (1979)	2656 (1959)							
	end	3613 (2665)	3576 (2638)	3975 (2932)	3935 (2902)	4337 (3199)	4294 (3167)	5062 (3734)	5011 (3696)							
LPS-15A-335X-D1	start	4249 (3134)	4215 (3109)	4675 (3448)	4637 (3420)	6,6 (96)	6000 (4425)	15,8 (964)								
	run	2388 (1761)	2368 (1747)	2627 (1938)	2606 (1922)											
	end	4505 (3323)	4469 (3296)	4957 (3656)	4917 (3627)											
LPS-15A-360X-D1	start	4907 (3619)	4872 (3593)	5,7 (83)	6000 (4425)	18,3 (1117)										
	run	2757 (2033)	2738 (2019)													
	end	5202 (3837)	5166 (3810)													
LPS-15C-255X-D1	start	3734 (2754)	1980 (1460)	4108 (3030)	2178 (1606)	4483 (3306)	2376 (1752)	7,5 (109)	6000 (4425)	9,2 (561)						
	run	1372 (1012)	1349 (995)	1509 (1113)	1484 (1095)	1647 (1215)	1619 (1194)									
	end	2007 (1480)	3946 (2910)	2209 (1629)	4341 (3202)	2410 (1778)	4737 (3494)									
LPS-15C-285X-D1	start	4664 (3440)	2480 (1829)	6 (87)	6000 (4425)	11,6 (708)										
	run	1713 (1263)	1689 (1246)													
	end	2507 (1849)	4942 (3645)													

Actuator Model		METRIC/IMPERIAL TORQUE TABLE													Max Operating Pressure	Max Operating Torque	Swept Volume*
		barg (PSIG)		barg (PSIG)		barg (PSIG)		barg (PSIG)		barg (PSIG)		barg (PSIG)	Nm (ft-lb)	L (cu in)			
		5 (73)		5.5 (80)		6 (87)		7 (102)		9 (131)							
		Output Torque Nm (ft-lb) @ supply pressure															
		OPEN	CLOSE	OPEN	CLOSE	OPEN	CLOSE	OPEN	CLOSE	OPEN	CLOSE	OPEN	CLOSE				
Nm (ft-lb)	Nm (ft-lb)	Nm (ft-lb)	Nm (ft-lb)	Nm (ft-lb)	Nm (ft-lb)	Nm (ft-lb)	Nm (ft-lb)	Nm (ft-lb)	Nm (ft-lb)	Nm (ft-lb)	Nm (ft-lb)						
LPS-20A-335X-D1	start	5619 (4144)	5558 (4099)	6183 (4560)	6115 (4510)	6746 (4976)	6673 (4922)	7874 (5808)	7788 (5744)	10128 (7470)	10017 (7388)	10 (145)	12000 (8851)	20 (1220)			
	run	3158 (2329)	3123 (2303)	3474 (2562)	3436 (2534)	3791 (2796)	3750 (2766)	4425 (3264)	4376 (3228)	5692 (4198)	5629 (4152)						
	end	5958 (4394)	5893 (4346)	6556 (4835)	6484 (4782)	7153 (5276)	7075 (5218)	8348 (6157)	8257 (6090)	10739 (7921)	10621 (7834)						
LPS-20A-360X-D1	start	6489 (4786)	6428 (4741)	7140 (5266)	7072 (5216)	7791 (5746)	7717 (5692)	9093 (6707)	9007 (6643)	8.7 (126)	12000 (8851)	23,1 (1410)					
	run	3647 (2690)	3612 (2664)	4012 (2959)	3974 (2931)	4378 (3229)	4337 (3199)	5110 (3769)	5061 (3733)								
	end	6880 (5074)	6815 (5026)	7570 (5583)	7499 (5531)	8260 (6092)	8182 (6035)	9641 (7111)	9549 (7043)								
LPS-20A-385X-D1	start	7422 (5474)	7360 (5428)	8166 (6023)	8098 (5973)	8911 (6572)	8837 (6518)	7.6 (110)	12000 (8851)	26,4 (1611)							
	run	4171 (3076)	4136 (3051)	4589 (3385)	4551 (3357)	5007 (3693)	4966 (3663)										
	end	7869 (5804)	7804 (5756)	8658 (6386)	8587 (6333)	9448 (6968)	9369 (6910)										
LPS-20A-435X-D1	start	9475 (6988)	9413 (6943)	5.9 (86)	12000 (8851)	33,7 (2057)											
	run	5324 (3927)	5290 (3902)														
	end	10046 (7410)	9980 (7361)														
LPS-20C-335X-D1	start	8523 (6286)	4532 (3343)	9378 (6917)	4986 (3677)	6,6 (96)	12000 (8851)	20,4 (1245)									
	run	3131 (2309)	3088 (2278)	3445 (2541)	3397 (2505)												
	end	4582 (3380)	9033 (6662)	5041 (3718)	9939 (7331)												
LPS-20C-360X-D1	start	9843 (7260)	5241 (3866)	5,7 (83)	12000 (8851)	23,6 (1440)											
	run	3616 (2667)	3571 (2634)														
	end	5291 (3902)	10447 (7705)														
LPS-25A-435X-D1	start	11704 (8632)	11605 (8559)	12878 (9498)	12769 (9418)	14052 (10364)	13933 (10276)	16400 (12096)	16261 (11993)	8,4 (122)	21000 (15489)	41,6 (2539)					
	run	6577 (4851)	6521 (4810)	7237 (5338)	7176 (5293)	7897 (5825)	7830 (5775)	9216 (6797)	9138 (6740)								
	end	12410 (9153)	12304 (9075)	13654 (10071)	13538 (9985)	14899 (10989)	14772 (10895)	17388 (12825)	17241 (12716)								
LPS-25A-485X-D1	start	14549 (10731)	14450 (10658)	16009 (11808)	15899 (11726)	17468 (12884)	17349 (12796)	6,8 (99)	21000 (15489)	51,7 (3155)							
	run	8176 (6030)	8120 (5989)	8996 (6635)	8935 (6590)	9816 (7240)	9749 (7190)										
	end	15426 (11378)	15321 (11300)	16973 (12519)	16858 (12434)	18521 (13660)	18394 (13567)										

Actuator Model	METRIC/IMPERIAL TORQUE TABLE														Max Operating Pressure	Max Operating Torque	Swept Volume*		
		barg (PSIG)		barg (PSIG)		barg (PSIG)		barg (PSIG)		barg (PSIG)		barg (PSIG)	Nm (ft-lb)	L (cu in)					
		5 (73)		5.5 (80)		6 (87)		7 (102)		9 (131)									
		Output Torque Nm (ft-lb) @ supply pressure																	
		OPEN	CLOSE	OPEN	CLOSE	OPEN	CLOSE	OPEN	CLOSE	OPEN	CLOSE							OPEN	CLOSE
Nm (ft-lb)	Nm (ft-lb)	Nm (ft-lb)	Nm (ft-lb)	Nm (ft-lb)	Nm (ft-lb)	Nm (ft-lb)	Nm (ft-lb)	Nm (ft-lb)	Nm (ft-lb)	Nm (ft-lb)	Nm (ft-lb)								
LPS-25A-535X-D1	start	17704 (13058)	17604 (12984)																
	run	9949 (7338)	9893 (7297)										5,5 (80)	21000 (15489)	63 (3844)				
	end	18771 (13845)	18666 (13767)																
LPS-25C-435X-D1	start	17752 (13093)	9462 (6979)																
	run	6521 (4810)	6447 (4755)										5,5 (80)	21000 (15489)	42,1 (2569)				
	end	9543 (7039)	18861 (13911)																
LPS-30A-535X-D1	start	23018 (16977)	22816 (16828)	25326 (18679)	25105 (18516)	27635 (20382)	27393 (20204)	32253 (23789)	31970 (23580)										
	run	12935 (9540)	12822 (9457)	14232 (10497)	14108 (10406)	15530 (11454)	15394 (11354)	18125 (13368)	17966 (13251)				8,2 (119)	40500 (29871)	80,5 (4912)				
	end	24405 (18000)	24191 (17842)	26853 (19806)	26618 (19632)	29301 (21611)	29044 (21422)	34196 (25222)	33897 (25001)										
LPS-30A-585X-D1	start	27598 (20355)	27397 (20207)	30359 (22392)	30137 (22228)	33119 (24427)	32877 (24249)												
	run	15509 (11439)	15396 (11355)	17060 (12583)	16936 (12491)	18612 (13727)	18476 (13627)						6,9 (100)	40500 (29871)	96,2 (5870)				
	end	29262 (21583)	29048 (21425)	32189 (23741)	31953 (23567)	35115 (25899)	34859 (25711)												
LPS-30A-635X-D1	start	32518 (23984)	32316 (23835)																
	run	18274 (13478)	18160 (13394)										5,8 (84)	40500 (29871)	113,4 (6920)				
	end	34478 (25430)	34264 (25272)																
LPS-35A-685X-D1	start	46763 (34491)	46342 (34180)	51440 (37940)	50977 (37599)	56118 (41390)	55612 (41017)												
	run	26279 (19382)	26042 (19208)	28907 (21321)	28647 (21129)	31536 (23260)	31252 (23050)						7,5 (109)	75000 (55317)	164,6 (10045)				
	end	49582 (36570)	49135 (36240)	54541 (40227)	54050 (39865)	59500 (43885)	58964 (43490)												
LPS-35A-735X-D1	start	53839 (39710)	53418 (39399)	59224 (43681)	58761 (43340)														
	run	30255 (22315)	30019 (22141)	33282 (24548)	33021 (24355)								6,5 (94)	75000 (55317)	189,6 (11570)				
	end	57084 (42103)	56637 (41773)	62793 (46314)	62302 (45952)														
LPS-35A-785X-D1	start	61413 (45296)	60992 (44985)																
	run	34512 (25455)	34275 (25280)										5,7 (83)	75000 (55317)	216,2 (13193)				
	end	65115 (48026)	64668 (47697)																

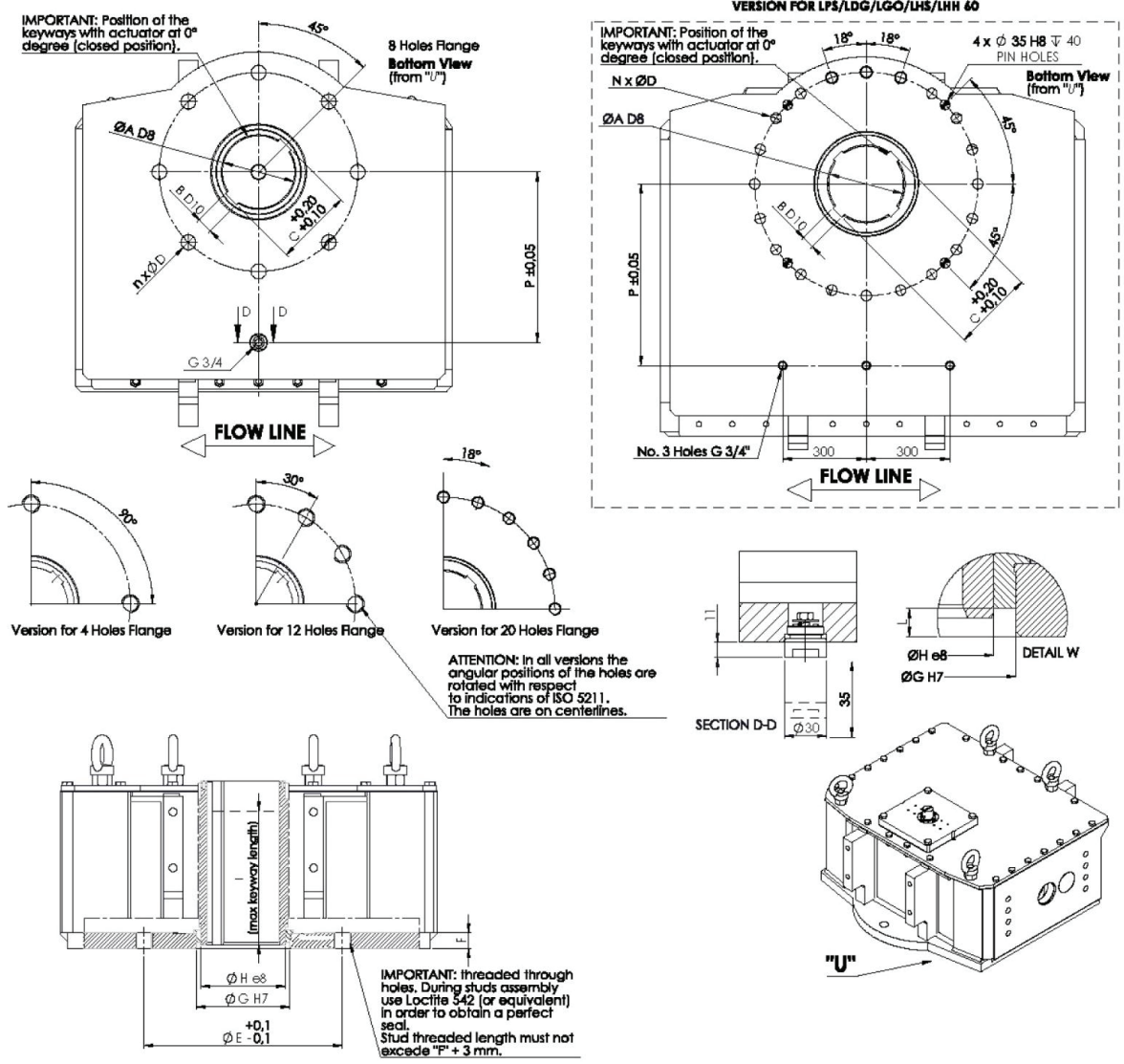
Actuator Model	METRIC/IMPERIAL TORQUE TABLE														Max Operating Pressure	Max Operating Torque	Swept Volume*	
	barg (PSIG)		barg (PSIG)		barg (PSIG)		barg (PSIG)		barg (PSIG)				barg (PSIG)	Nm (ft-lb)				L (cu in)
	5 (73)		5.5 (80)		6 (87)		7 (102)		9 (131)									
	Output Torque Nm (ft-lb) @ supply pressure																	
	OPEN	CLOSE	OPEN	CLOSE	OPEN	CLOSE	OPEN	CLOSE	OPEN	CLOSE	OPEN	CLOSE						
Nm (ft-lb)	Nm (ft-lb)	Nm (ft-lb)	Nm (ft-lb)	Nm (ft-lb)	Nm (ft-lb)	Nm (ft-lb)	Nm (ft-lb)	Nm (ft-lb)	Nm (ft-lb)	Nm (ft-lb)	Nm (ft-lb)							
LPS-40A-835X-D1	start	85151 (62804)	84369 (62227)	93667 (69085)	92808 (68452)	102184 (75367)	101246 (74675)	119218 (87931)	118123 (87123)									
	run	47851 (35293)	47412 (34969)	52637 (38823)	52154 (38467)	57423 (42353)	56896 (41964)	66996 (49414)	66380 (48959)				8.3 (120)	150000 (110634)	307,6 (18771)			
	end	90283 (66589)	89454 (65978)	99313 (73249)	98401 (72577)	108343 (79910)	107348 (79176)	126403 (93230)	125242 (92374)									
LPS-40A-885X-D1	start	95654 (70551)	94872 (69974)	105221 (77607)	104361 (76973)	114788 (84663)	113850 (83971)											
	run	53753 (39646)	53314 (39322)	59130 (43612)	58647 (43256)	64506 (47577)	63979 (47188)						7.3 (106)	150000 (110634)	345,5 (21084)			
	end	101419 (74803)	100590 (74191)	111562 (82284)	110651 (81612)	121706 (89766)	120712 (89032)											
LPS-40A-985X-D1	start	118492 (87395)	117710 (86818)															
	run	66587 (49112)	66148 (48788)										5.9 (86)	150000 (110634)	428 (26118)			
	end	125633 (92662)	124804 (92051)															
LPS-50A-1050X-D1	start	166734 (122976)	165222 (121861)	183411 (135277)	181747 (134049)	200088 (147577)	198273 (146238)	233441 (172177)	231324 (170616)									
	run	93698 (69108)	92848 (68481)	103070 (76020)	102134 (75330)	112441 (82932)	111421 (82180)	131184 (96756)	129994 (95879)				8,4 (122)	300000 (221269)	617,2 (37664)			
	end	176783 (130388)	175180 (129206)	194465 (143430)	192701 (142129)	212147 (156471)	210222 (155052)	247511 (182554)	245265 (180898)									
LPS-50A-1200X-D1	start	217775 (160622)	216263 (159507)	239557 (176688)	237893 (175461)													
	run	122381 (90263)	121531 (89637)	134621 (99291)	133686 (98602)								6,4 (93)	300000 (221269)	806,1 (49191)			
	end	230901 (170304)	229297 (169121)	253995 (187337)	252231 (186036)													
LPS-50C-1050X-D1	start	252897 (186527)	134718 (99363)															
	run	92900 (68519)	91788 (67699)										5,5 (80)	300000 (221269)	595,4 (36334)			
	end	135951 (100272)	268525 (198054)															

(*) Note: MAWP (Maximum Allowable Working Pressure) : 12 barg. Actuators with (**) have exceptionally MAWP = 10,5 barg.

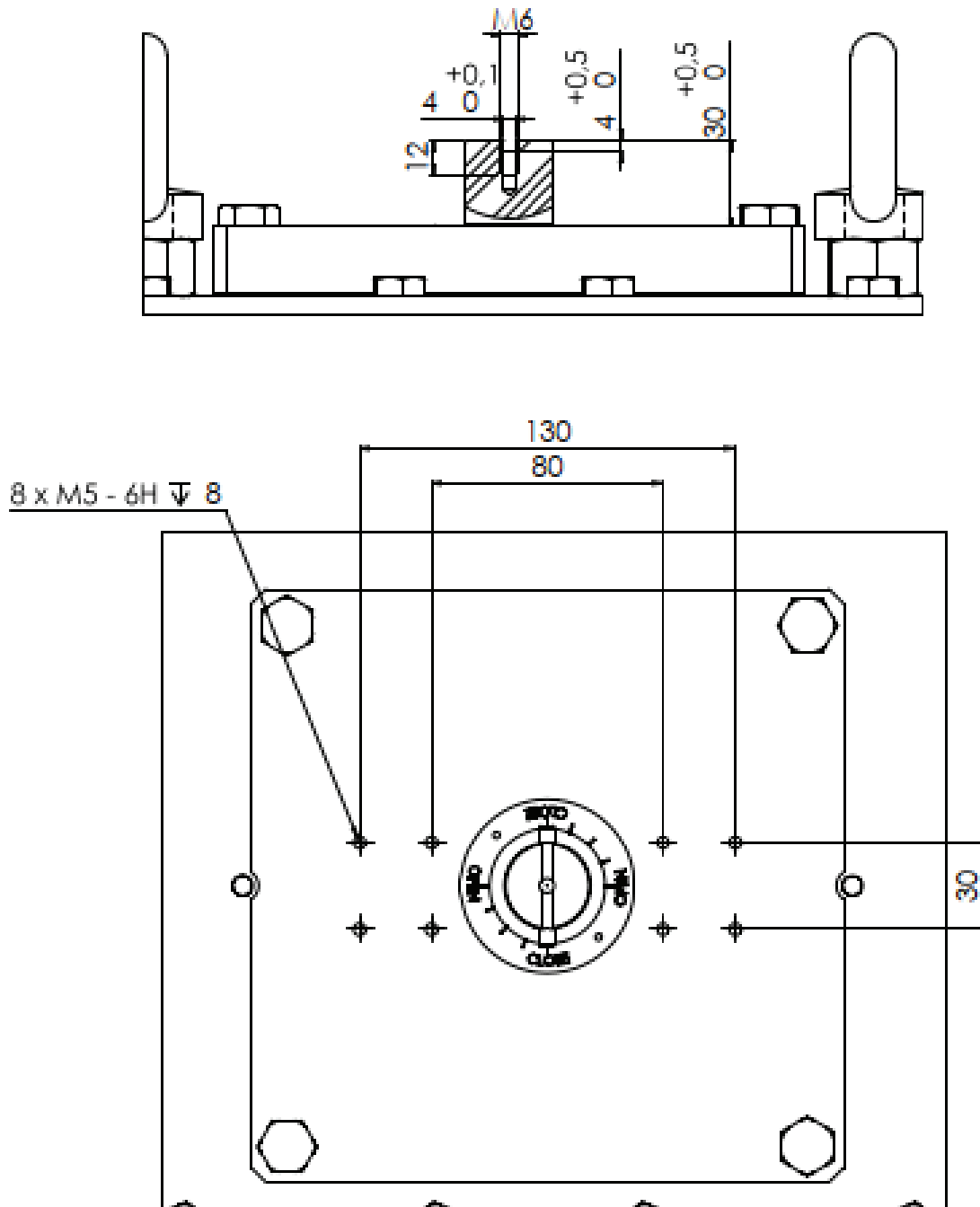
Mounting Interface Dimensions

* other versions are available; verify your Job Order documentation or contact your Flowserve representative if required in case of doubt

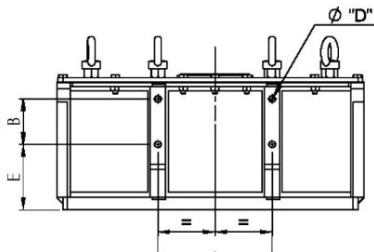
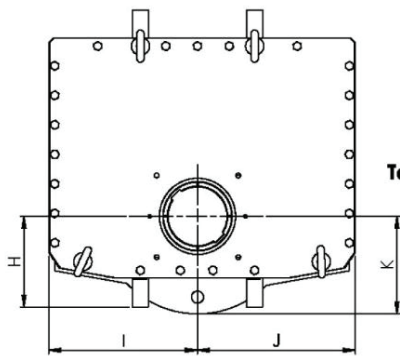
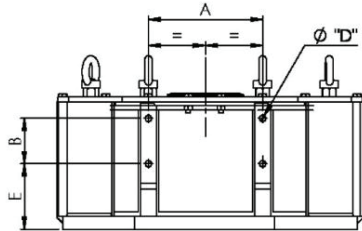
LPS Series Coupling Dimensions *													
Model	ISO 5211 Flange Interface (reference)	ØA	B	C	No. of holes n	Hole Diameter ØD	P.C.D. [mm(inch)] ØE	F	ØG	ØH	I	L	P
LPS 15	F16	65	10	70,6	4	M20	165 (6,50)	18	86	78	161	8	155
LPS 20	F25	86	12	91,6	8	M16	254 (10)	16	130	112	178	4.5	205
LPS 25	F30	100	18	108,8	8	M20	298 (11,73)	18	150	133	201	6	230
LPS 30	F35	130	28	138,6	8	M30	356 (14,02)	28	168	152	261	10	305
LPS 35	F40	150	36	166,8	8	M36	406 (15,98)	33	199	185	323	9	405
LPS 40	F48	185	45	205,8	12	M36	483 (19,02)	38	244	230	338	10	450
LPS 50	F60	230	50	252,8	20	M36	603 (23,74)	48	292	275	500	18	550
LPS 60	n.a.	270	45	290,8	20	M42	800 (31,49)	58	372	350	620	16	650



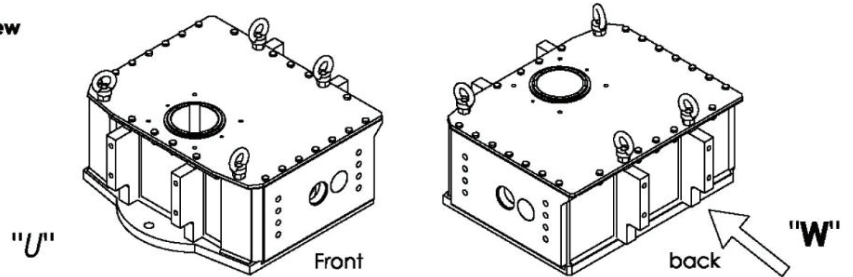
Details of Namur VDE/VDI 3845 Adaptor Kit, Available Upon Request



Center Body Mounting Holes



LPS/LDG/LGO/LHS/LHH Series Center Body Mounting Holes									
Model	A	B	D		E	H	I	J	K
			Ø	Thread length					
LPS/LDG/LGO/LHS/LHH 15	104	55	M10	12	85	113	164	174	120
LPS/LDG/LGO/LHS/LHH 20	131	70	M12	18	90	135	219	222	150
LPS/LDG/LGO/LHS/LHH 25	211	73	M12	15	105	179	249	267	188
LPS/LDG/LGO/LHS/LHH 30	252	100	M16	20	144	200	328	348	215
LPS/LDG/LGO/LHS/LHH 35	270	110	M20	25	190	269	413	433	260
LPS/LDG/LGO/LHS/LHH 40	345	140	M24	30	200	285	519	543	290
LPS/LDG/LGO/LHS/LHH 50	355	220	M33	40	250	369	633	649	343
LPS/LDG/LGO/LHS/LHH 60	500	220	M24	48	417	396	738	783	455



Service Kits

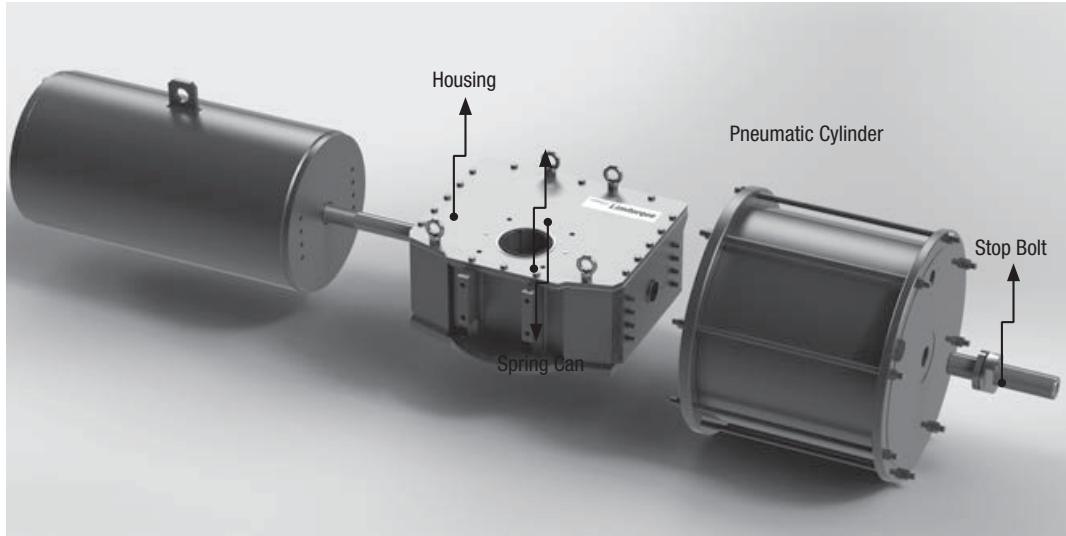


Figure 20: Single Acting Actuator

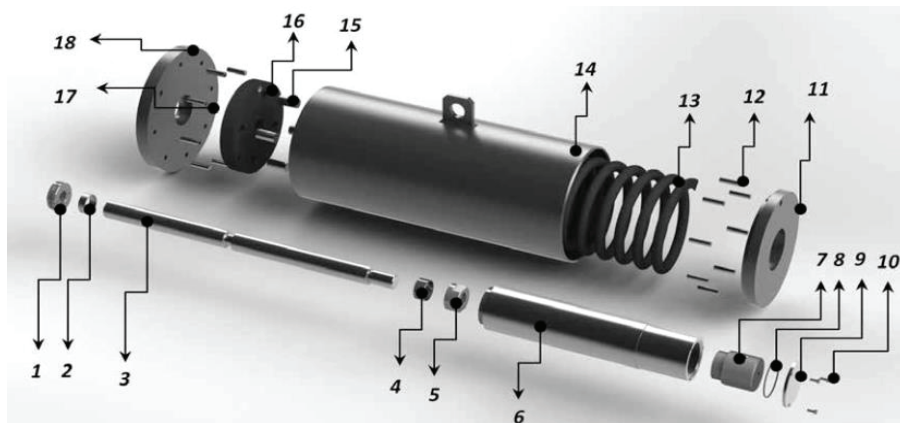


Figure 21: Spring Can Exploded View

Num	Description	Qt	Spare
1	Split Ring	1	
2	Bushing	1	
3	Spring Rod	1	
4	Bushing	1	
5	Spring Rod End Nut	1	
6	Spring Guide	1	
7	Spring Stop Bolt	1	
8	O-Ring	1	X •
9	Stop Bolt Cap	1	

Num	Description	Qt	Spare
10	Hex Screw	1	
11	Spring Can End Flange	1	
12	Bar Pin	8**	
13	Spring	1	
14	Spring Can	1	
15	Bar Pin	4**	
16	Spring Plate	1	
17	Bar Pin	8**	
18	Spring Can Head Flange	1	

X Maintenance spare parts for on/off applications (for aging within guaranteed cycles of EN15714)

• Spare parts that can be replaced without removing the actuator from the valve

** Variable number depending on model

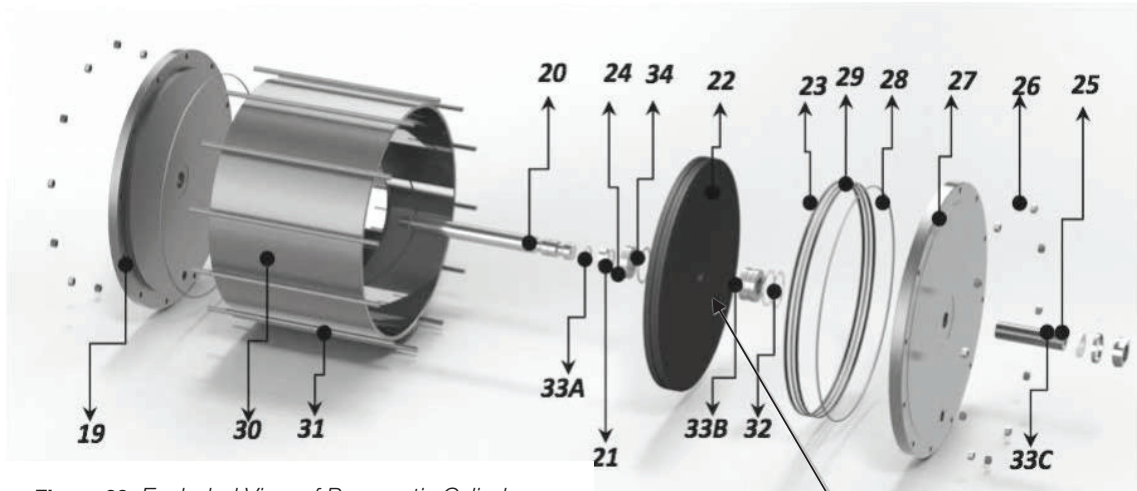
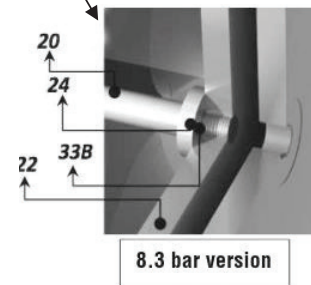


Figure 22: Exploded View of Pneumatic Cylinder



Num	Description	Qty	Spare
19	Cylinder Head Flange	1	
20	Piston Rod	1	
21	Bushing	1	
22	Piston	1	
23	Tape Guide	2**	X •
24	Split Ring	2**	
25	Stop Bolt Assembly	1	
26	Hex Nut (High)	12**	
27	Cylinder End Flange	1	

Num	Description	Qt	Spare
28	O-Ring	2	X •
29	O-Ring	1	X •
30	Tube	1	
31	Tie Rod	12	
32	Spiral Retaining	2*	
33A	O-Ring	1	X •
33B	O-Ring	1	X •
33C	O-Ring	1	X •
34	Spacer (if present)	1	

- X Maintenance spare parts for on/off applications (for aging within guaranteed cycles of EN15714)
- Spare parts that can be replaced without removing the actuator from the valve
- ** Variable number depending on model

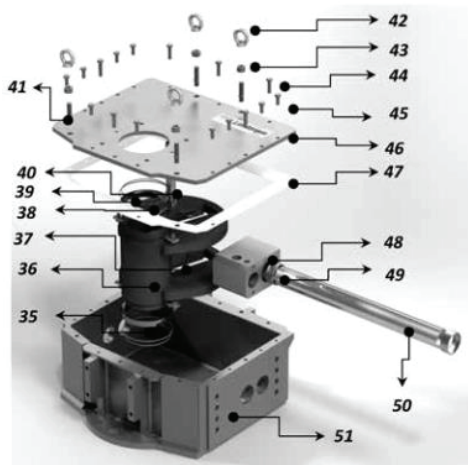


Figure 23: Exploded View of Housing

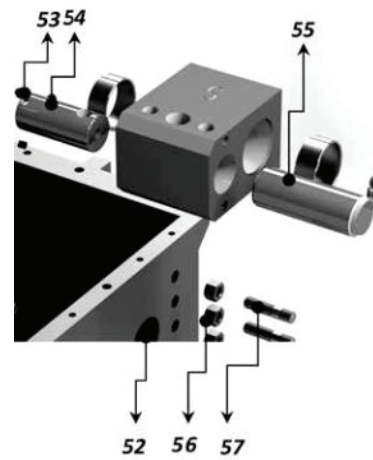


Figure 24: Exploded View of Adaptor Kit

Num	Description	Qty	Spare
35	Bushing	2	
36	Scotch Yoke	1	
37	Slider Block	2	
38	O-Ring	2	X •
39	O-Ring	2	X •
40	Guide Pin	1	
41	Stud	4	
42	Eyebolt	4	
43	Hex Nut	4	
44	Hex Head Shoulder Bolt	11**	
45	Hex Head Screw	2**	
46	Cover	1	
47	Cover Gasket	1	X •

Num	Description	Qty	Spare
48	Guide Block	1	
49	Bushing	2	
50	Guide Cover	1	
51	Scotch Yoke Housing	1	
52	Center Ring	2	
53	Grub Screw	3	
54 ⁽²⁾	Cylinder Adapter	1	
55 ⁽²⁾	Spring Adapter	1	
56	Hex Nut (High)	8**	
57	Studs	8**	
58 ⁽¹⁾	Guide Adaptor Pin	1	
59 ⁽¹⁾	Hex Head Screw	1	

X Maintenance spare parts for on/off applications (for aging within guaranteed cycles of EN15714)

• Spare parts that can be replaced without removing the actuator from the valve

** Variable number depending on model (1) Only in double acting actuators (2) from CW to CCW (and vice versa) Conversion kit parts

Main possible spare parts for LPS actuators used in ON/OFF applications are listed in the table below.

Depending on chosen actuator configuration other spare parts may be required. To obtain spare parts lists specific for each job/order, please contact your Flowserve Limitorque representative.

Part numbers are referred to in Figures 21, 22 and 24.

Num	Description	Qty
8	O-Ring	1
23	Tape Guide	2**
28	O-Ring	2
29	O-Ring	1
33A	O-Ring	1

Num	Description	Qty
33B	O-Ring	1
33C	O-Ring	1
38	O-Ring	2
39	O-Ring	2
47	Cover Gasket	1

** Variable number depending on model



Flowserve Limitorque
Fluid Power Systems
Via delle Industrie, 23
20883 Mezzago (MB), Italy
Phone: +39 039 6241 11
Email: lfpsinfo@flowserve.com

Flowserve - China
Hanwei Plaza 7,
Guanghua Road, Chaoyang District,
Beijing 100004, China
Email:
AutomationAPAC@flowserve.com
AutomationChina@flowserve.com

Flowserve - India
Plot n.4 1A
Export Promotion Industrial Park
Whitefield, 560066
Bangalore, India
Email:
BGA_applications@flowserve.com

Flowserve US, Inc
Valve Automation Center
1511 Jefferson St. East
Sulphur Springs, Texas 75482
Tel: (903)885-4691
Email: vachouston@flowserve.com

Flowserve Corporation
5215 North O'Connor Blvd.
Suite 700
Irving, Texas 75039-5421 USA
Telephone: +1 937 890 5839

Flowserve Corporation has established industry leadership in the design and manufacture of its products. When properly selected, this Flowserve product is designed to perform its intended function safely during its useful life. However, the purchaser or user of Flowserve products should be aware that Flowserve products might be used in numerous applications under a wide variety of industrial service conditions. Although Flowserve can provide general guidelines, it cannot provide specific data and warnings for all possible applications. The purchaser/user must therefore assume the ultimate responsibility for the proper sizing and selection, installation, operation, and maintenance of Flowserve products. The purchaser/user should read and understand the Installation Instructions included with the product, and train its employees and contractors in the safe use of Flowserve products in connection with the specific application.

While the information and specifications contained in this literature are believed to be accurate, they are supplied for informative purposes only and should not be considered certified or as a guarantee of satisfactory results by reliance thereon. Nothing contained herein is to be construed as a warranty or guarantee, express or implied, regarding any matter with respect to this product. Because Flowserve is continually improving and upgrading its product design, the specifications, dimensions and information contained herein are subject to change without notice. Should any question arise concerning these provisions, the purchaser/user should contact Flowserve Corporation at any one of its worldwide operations or offices.

©2022 Flowserve Corporation. All rights reserved. This document contains registered and unregistered trademarks of Flowserve Corporation. Other company, product, or service names may be trademarks or service marks of their respective companies.

VATB000583 (EN/A4) June 2022