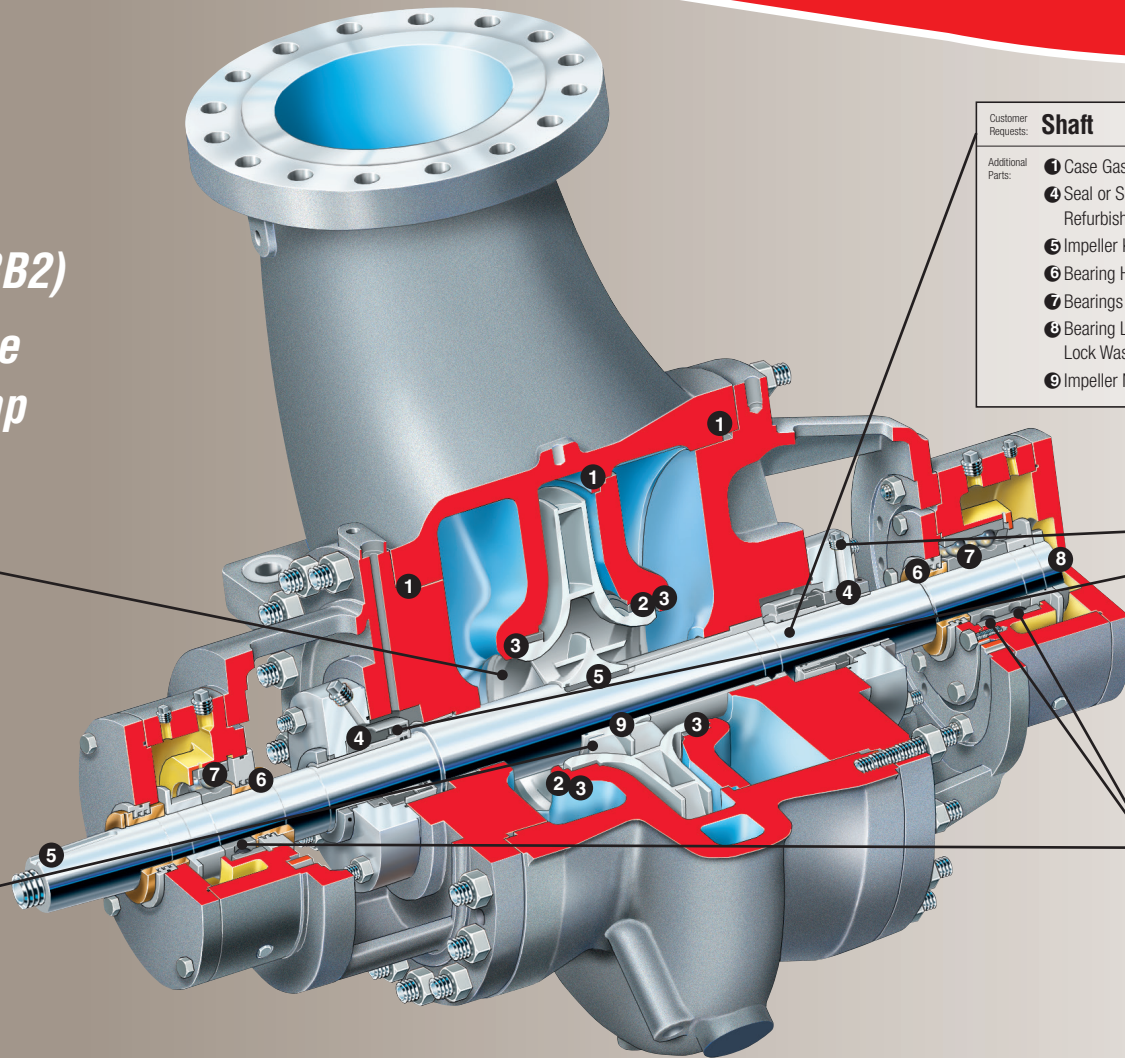


## HDX

ISO 13709/API 610 (BB2)

Radially Split, Double  
Suction Process Pump



Customer Requests:	<b>Impeller</b>
Additional Parts:	<ul style="list-style-type: none"> <li>1 Case Gaskets</li> <li>2 Impeller Wear Rings</li> <li>3 Cover Wear Rings</li> <li>4 Seal or Seal Refurbishment</li> <li>5 Impeller Keys, Throttle or Throat Bushing</li> </ul>

Customer Requests:	<b>Wear Rings</b>
Additional Parts:	<ul style="list-style-type: none"> <li>1 Case Gaskets</li> <li>2 Other Wear Rings to Complete Set</li> <li>3 Impeller Keys</li> </ul>

Customer Requests:	<b>Shaft</b>
Additional Parts:	<ul style="list-style-type: none"> <li>1 Case Gaskets</li> <li>4 Seal or Seal Refurbishment</li> <li>5 Impeller Keys</li> <li>6 Bearing Housing Gasket</li> <li>7 Bearings</li> <li>8 Bearing Lock Nut and Lock Washer</li> <li>9 Impeller Nut</li> </ul>

Customer Requests:	<b>Seal</b>
Additional Parts:	<ul style="list-style-type: none"> <li>1 Case Gaskets</li> <li>2 Wear Rings</li> <li>3 Keys</li> </ul>

Customer Requests:	<b>Bearings</b>
Additional Parts:	<ul style="list-style-type: none"> <li>1 Case Gaskets</li> <li>2 Wear Rings</li> <li>4 Seal or Seal Refurbishment</li> <li>5 Coupling Keys</li> <li>6 Bearing Housing Gasket</li> <li>8 Bearing Lock Nut and Lock Washer</li> </ul>