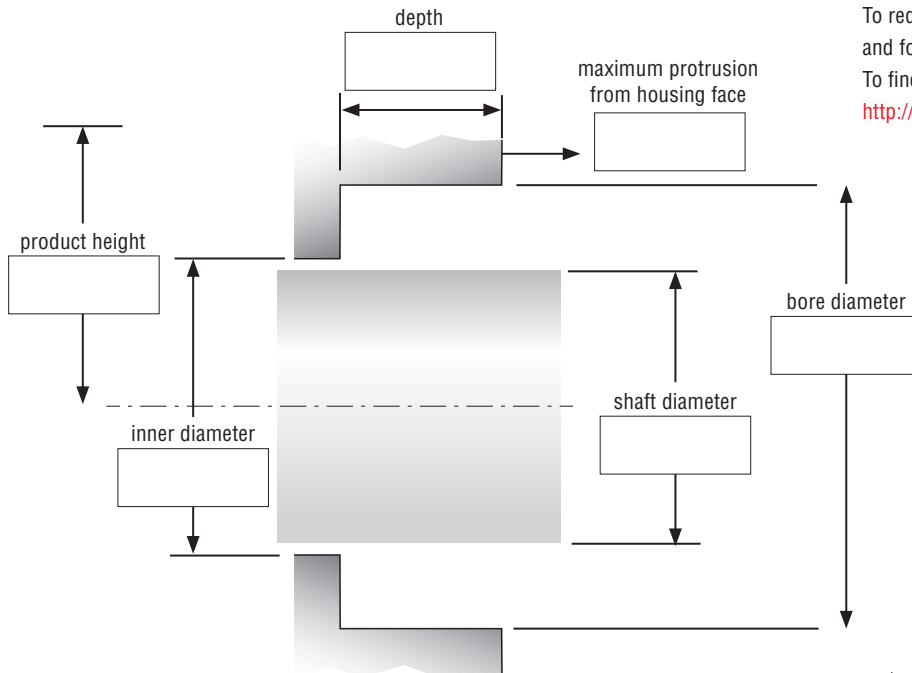
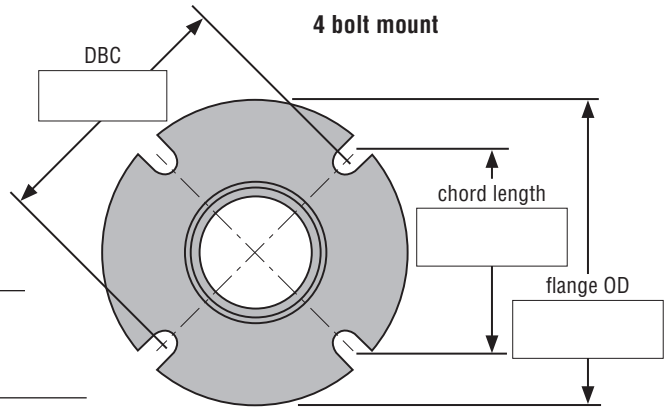


## dimensional information sheet

To request a quote, fill out the information below and forward it to your local Flowserve representative.  
 To find your local representative go to <http://www.flowserve.com/fls/Secondary/Sales-Locator>



**Equipment vented to atmosphere:**  yes  no  
**Gas allowed into product:**  air  nitrogen  none  
**Equipment:**  screw conveyor  rotary valve  
 mixer  other \_\_\_\_\_  
**Current seal type:**  lip  packing  other \_\_\_\_\_  
**Shaft position:**  horizontal  vertical up  vertical down  
**Product to be sealed** (size, hardness, sharpness, density): \_\_\_\_\_



**Temperature:** \_\_\_\_\_ °C  °F      **Speed:** \_\_\_\_\_ rpm

**Misalignment:** radial runout \_\_\_\_\_ axial runout \_\_\_\_\_  
 shaft perpendicularity \_\_\_\_\_

**Stud size:** \_\_\_\_\_ **O-ring preference:**  Viton  other \_\_\_\_\_

**Additional information:** \_\_\_\_\_  
 \_\_\_\_\_

**Customer:** \_\_\_\_\_

**Equipment label:** \_\_\_\_\_

**Information supplied by:** \_\_\_\_\_

**Date:** \_\_\_\_\_

