



TECHNICAL BULLETIN

Kämmer® Series CleanFlow™ - 191300 Aseptic and Sanitary Valves

FCD KMENTB9135-00 01/09



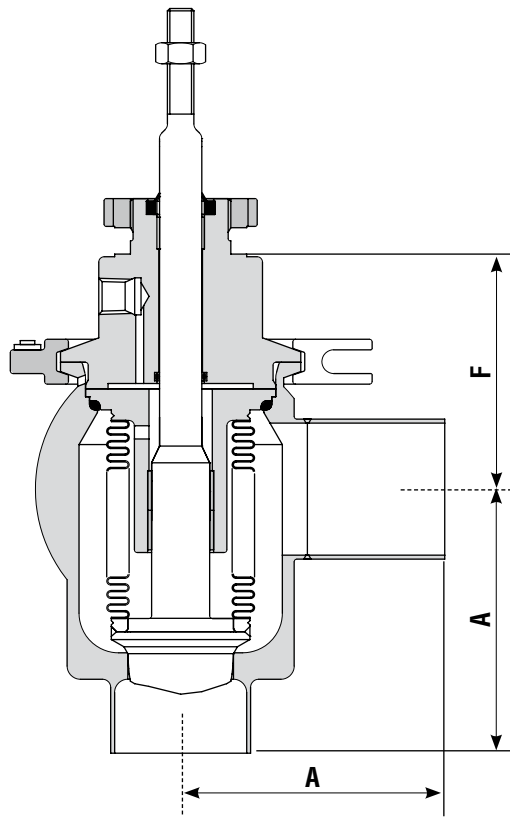
Experience In Motion

						10	15	20	25	32	40	50	65	80	100																																						
						3/8"	1/2"	3/4"	1"	1 1/4"	1 1/2"	2"	2 1/2"	3"	4"																																						
K_{vs} / C_v values																																																					
	K_{vs}	Trim#	C_v	Trim#	Seat dia. [mm]																																																
	0.011	3H	0.013	.12H	3 / 0.12	x	x																																														
	0.017	3G	0.02	.12G	3 / 0.12	x	x																																														
	0.025	3F	0.029	.12F	3 / 0.12	x	x																																														
	0.04	3E	0.047	.12E	3 / 0.12	x	x																																														
	0.063	3D	0.074	.12D	3 / 0.12	x	x																																														
	0.1	3C	0.12	.12C	3 / 0.12	x	x	x																																													
	0.16	3B	0.19	.12B	3 / 0.12	x	x	x																																													
	0.25	3A	0.29	.12A	3 / 0.12	x	x	x																																													
	0.4	4.5B	0.47	.18B	4,5 / 0.18	x	x	x																																													
	0.63	4.5A	0.74	.18A	4,5 / 0.18	x	x	x																																													
	1	7B	1.2	.28B	7 / 0.28	x	x	x																																													
	1.6	7A	1.9	.28A	7 / 0.28	x	x	x																																													
	2.5	10	2.9	.40	10 / 0.40		x	x																																													
	4	12	4.7	.48	12 / 0.48		x	x	x																																												
	6.3	16	7.4	.63	16 / 0.63			x	x	x																																											
	10	20	12	.80	20 / 0.80				x	x	x																																										
	16	25	19	1.00	25 / 1.00					x	x	x																																									
	25	32	29	1.25	32 / 1.25						x	x	x																																								
	40	40	47	1.40	40 / 1.40							x	x	x																																							
	63	50	74	2.00	50 / 2.00								x	x	x																																						
	100	63	120	2.50	63 / 2.50									x	x	x																																					
	160	80	190	3.20	80 / 3.20										x	x																																					
Stroke																																																					
mm / in						10 / 0.394						20 / 0.787					25 / 1.00																																				
Pressure Classes																																																					
PN 16																	x																																				
End Connection Type																																																					
DIN 11850 Reihe 2 (DN10 - 100) weld ends																	x																																				
DIN 11851 threaded connections																	x																																				
APV Flanges						x						-						x						-						x						x						x						x					
DIN 32676 clamped																	x																																				
ISO 2852 clamped						-												x																																			
Others on request																	x																																				
Bonnet Type																																																					
Bellows																	x																																				
Surface Finish																																																					
Ra 0.6µm																	x																																				
Ra 0.5µm																	x																																				
Ra 0.4µm electropolish																	x																																				
Cleaning																																																					
CIP (Cleaning In Place)																	x																																				
SIP (Sterilization In Place)																	x																																				
Temperature Range																																																					
-10 °C to +150 °C / 14 °F to 302 °F																	x																																				
Plug Characteristic																																																					
equal percentage																	x																																				
linear																	x																																				
On-Off																	x																																				
Approvals																																																					
EHEDG																	x																																				
3A																																																					
FDA																	x																																				
PED 97/23																	x																																				
ATEX 94/9																	x																																				

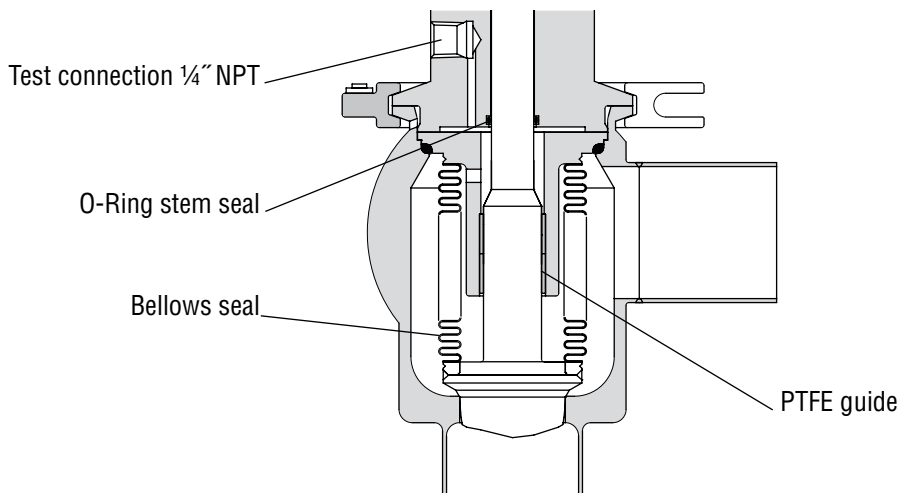
MATERIALS

Body Material		
1.4404 (316L)		x
Bellows Material		
1.4404		x
Plug Material		
1.4435 (316L)		x
Alloy 6		x
Packing		
Silicon O-Ring (FDA)		x
Body Gaskets		
Silicon O-Ring (FDA)		x

DIMENSIONS & WEIGHTS



	10 3/8"	15 1/2"	20 3/4"	25 1"	32 1 1/4"	40 1 1/2"	50 2"	65 2 1/2"	80 3"	100 4"
Dimension A										
DIN 11850 Reihe 2 (DN10 - 100) weld ends	80 / 3.15	80 / 3.15	80 / 3.15	80 / 3.15	80 / 3.15	100 / 3.94	100 / 3.94	100 / 3.94	120 / 4.72	120 / 4.72
DIN 11851 threaded connections	100 / 3.94	100 / 3.94	103 / 4.06	108 / 4.25	111 / 4.37	132 / 5.20	135 / 5.32	140 / 5.51	165 / 6.50	173 / 6.81
APV Flanges	93 / 3.66	-	-	104 / 4.09	-	124 / 4.88	124 / 4.88	124 / 4.88	144 / 5.67	144 / 5.67
Dimension F										
Bellows Bonnet	75 / 2.95	75 / 2.95	75 / 2.95	80 / 3.15	85 / 3.35	85 / 3.35	90 / 3.54	100 / 3.94	105 / 4.13	115 / 4.53
Weights (kg)										
DIN 11850 Reihe 2 (DN10 - 100) weld ends										
DIN 11851 threaded connections										
APV Flanges										





Your contact:

A large, empty rectangular box with a dashed border, intended for a contact name or address.

Flowserve Corporation

Flow Control
1350 N. Mt. Springs Parkway
Springville, UT 84663
USA
Phone: +1 801 489 8611
Fax: +1 801 489 3719

Flowserve (Austria) GmbH

Control Valves - Villach Operation
Kasernengasse 6
9500 Villach
Austria
Phone: +43 (0)4242 41181 0
Fax: +43 (0)4242 41181 50

Flowserve India Controls Pvt. Ltd

Plot # 4, 1A, E.P.I.P, Whitefield
Bangalore Karnataka
India 560 066
Phone: +91 80 284 10 289
Fax: +91 80 284 10 286

Flowserve Essen GmbH

Manderscheidstr. 19
45141 Essen
Germany
Phone: +49 (0)201 8919 5
Fax: +49 (0)201 8919 662

Flowserve S.A.S.

7, Avenue del la Libération - BP 60
63307 Thiers Cedex
France
Phone: +33 (0)4 73 80 42 66
Fax: +33 (0)4 73 80 14 24

NAF AB

Gelbgjutaregatan 2
SE-581 87 Linköping
Sweden
Phone: +46 (0)13 31 61 00
Fax: +46 (0)13 13 60 54

Kämmer Valves INC.

1300 Parkway View Drive
Pittsburgh, Pa 15205
USA
Tel.: +1 412 787 8803
Fax: +1 412 787 1944

All data subject to change without notice
©07.2008 Flowserve Corporation. Flowserve and Kämmer are registered trademarks of Flowserve Corporation