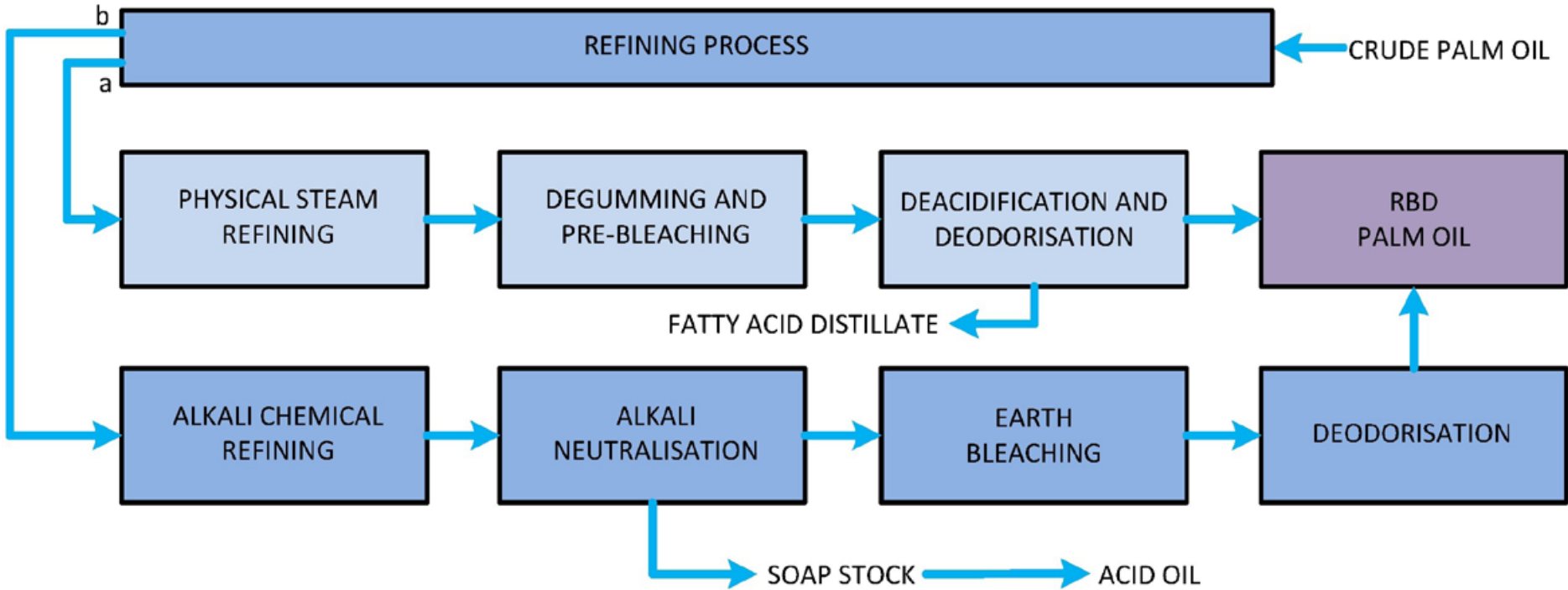


*Process Flow Diagrams*

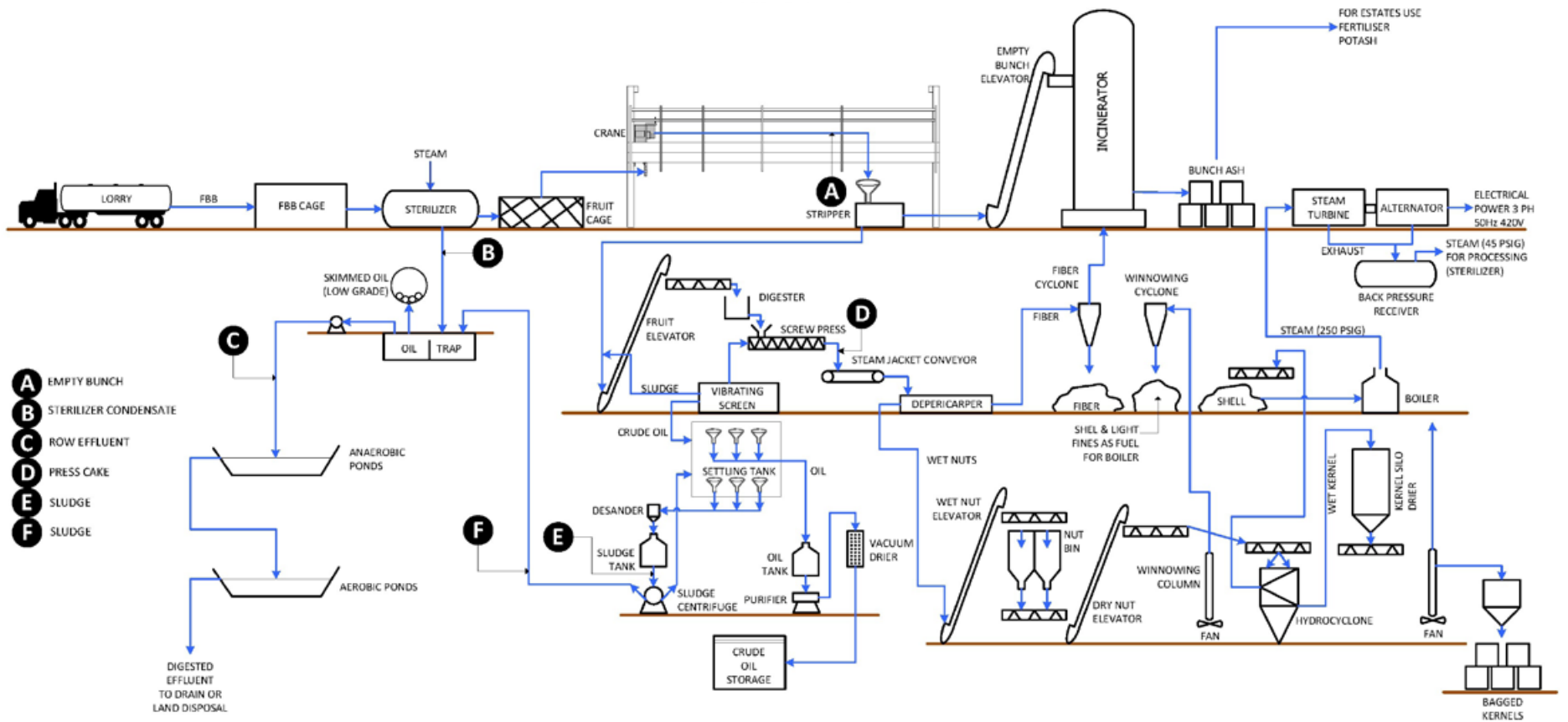
# THE GLOBAL PALM OIL INDUSTRY LANDSCAPE



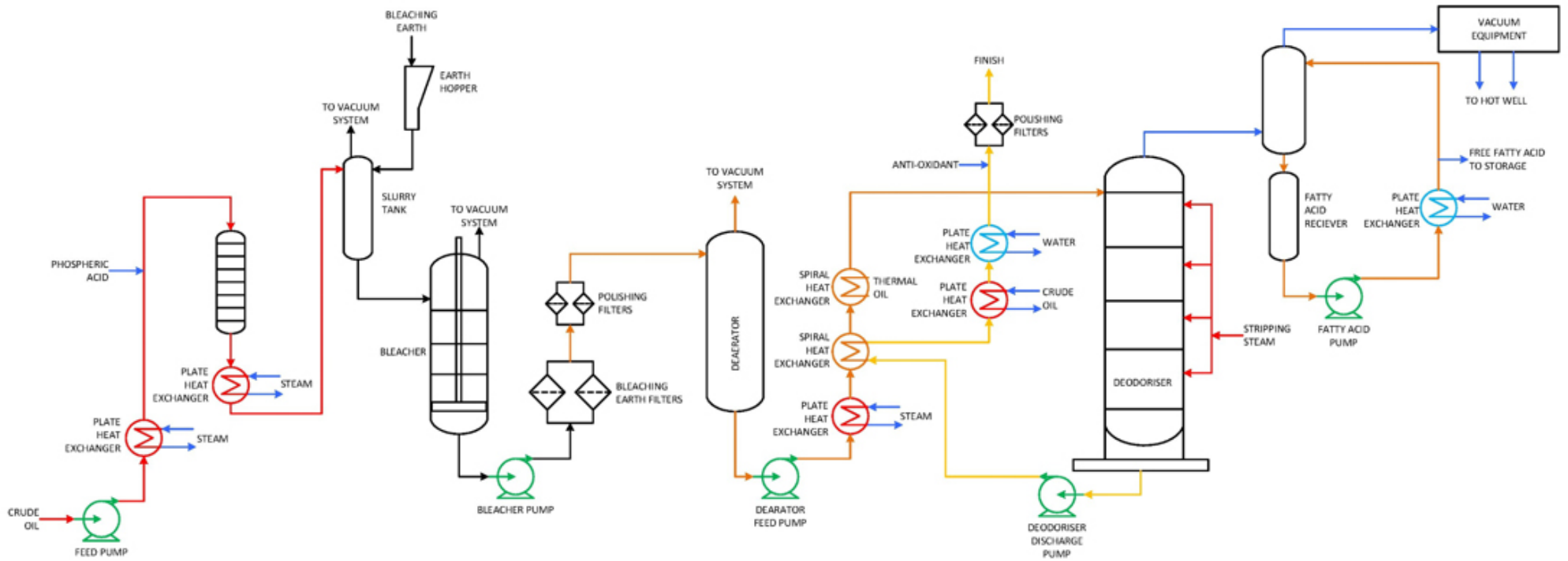
Palm oil producing belt across the equator or 10 degrees north & south



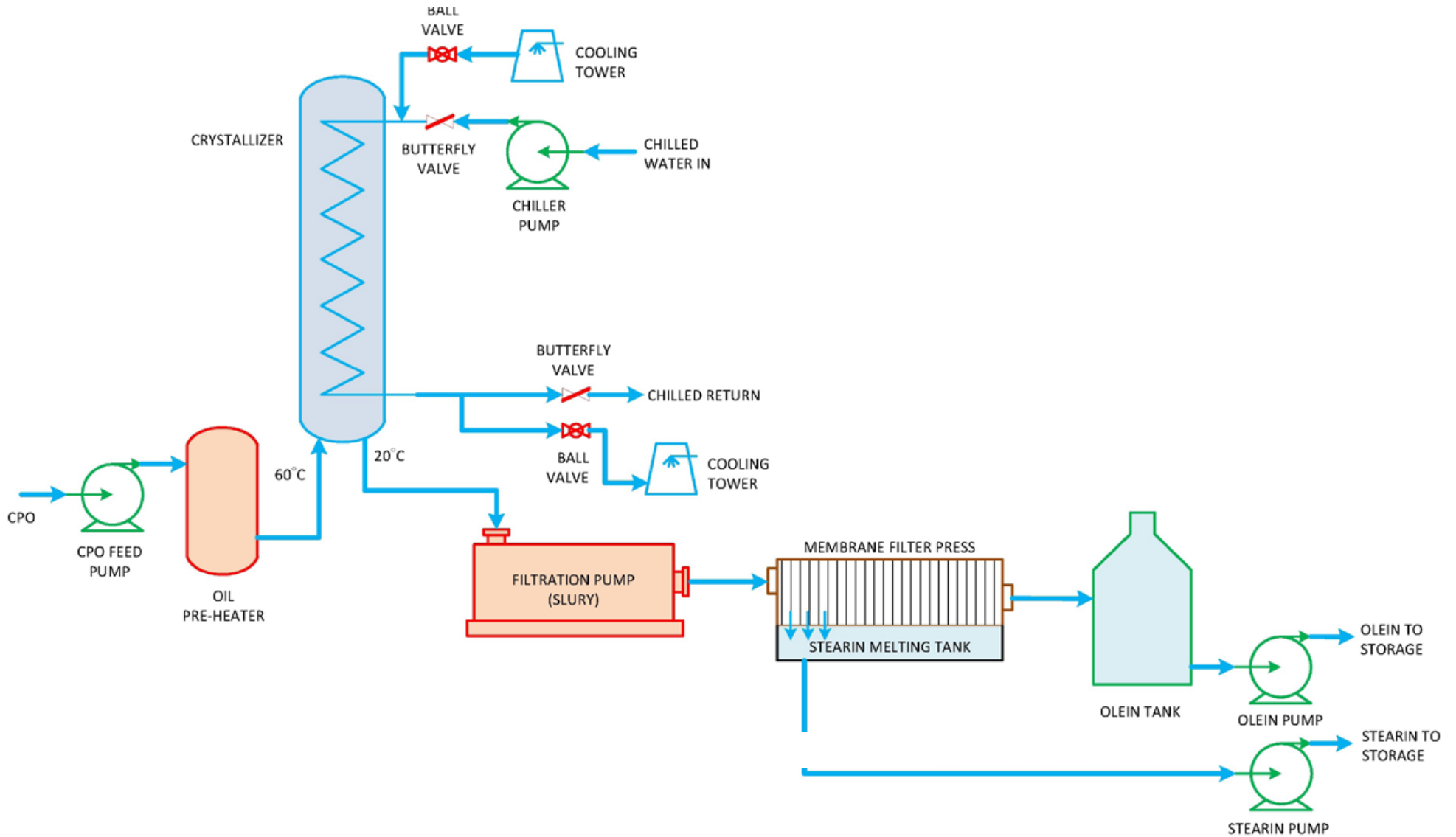
THE GLOBAL PALM OIL INDUSTRY LANDSCAPE — PROCESS FLOW DIAGRAMS

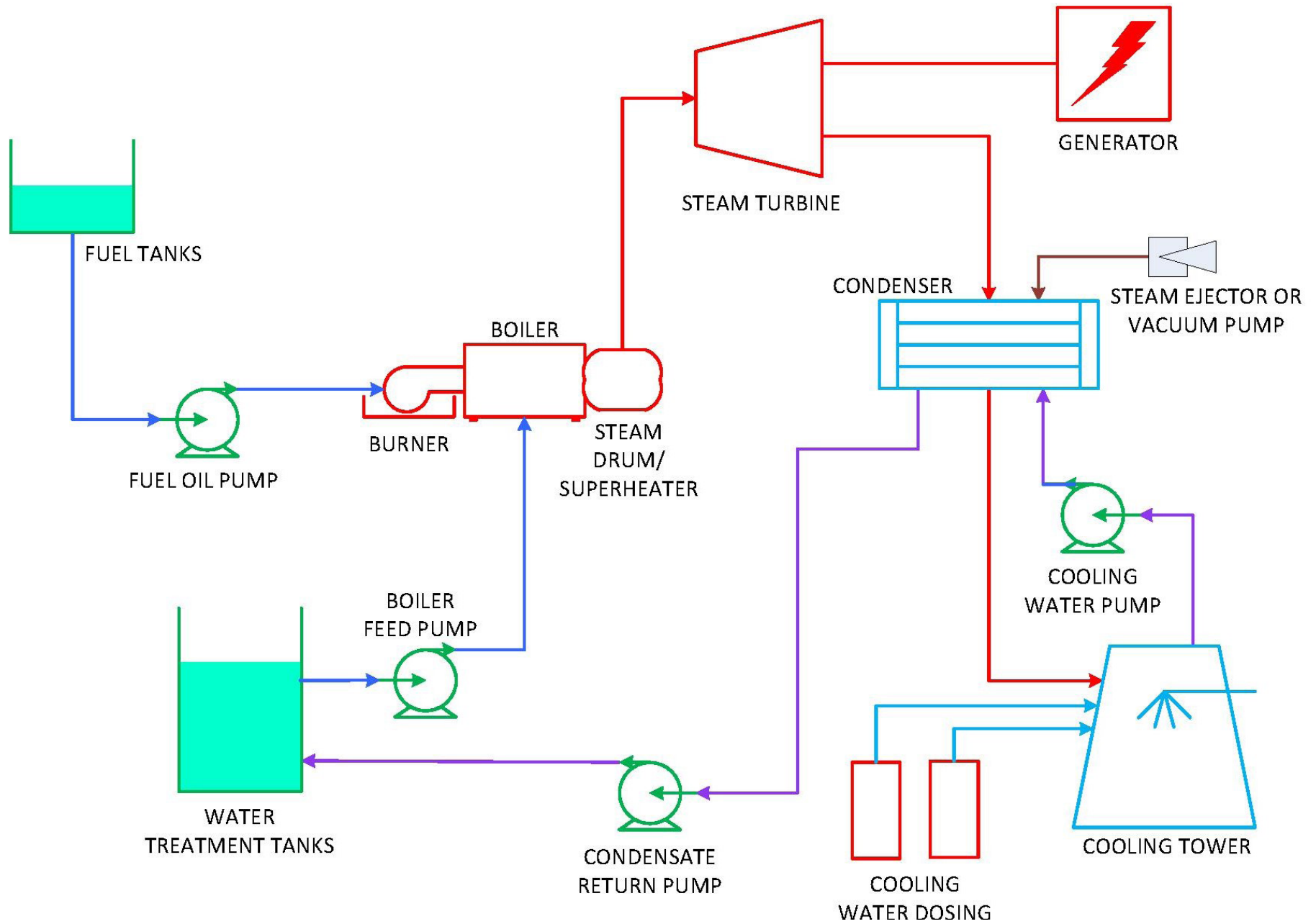


Flowserve Products and Capabilities in Palm Oil Refining



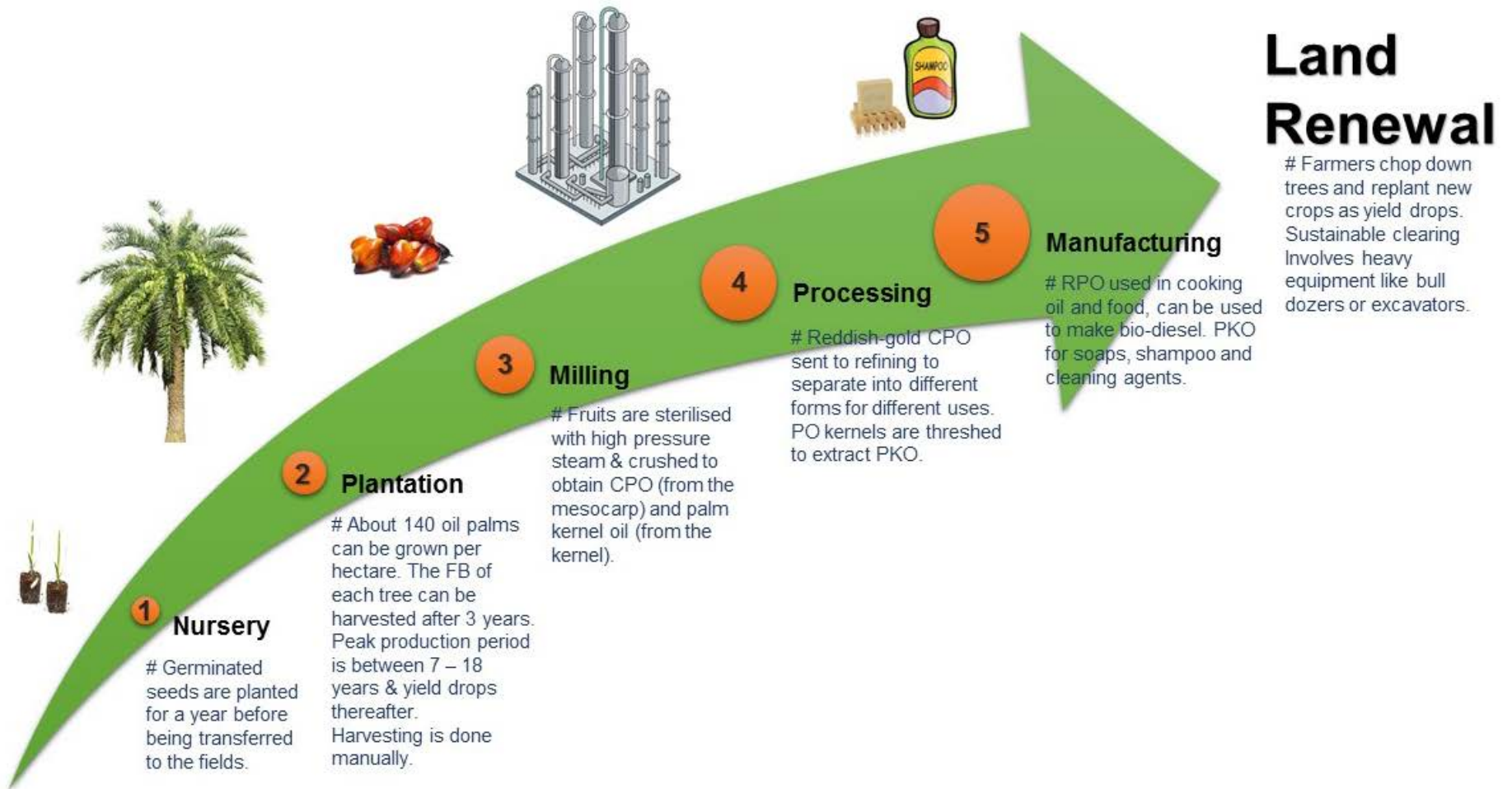
### Dry Fractionation Process





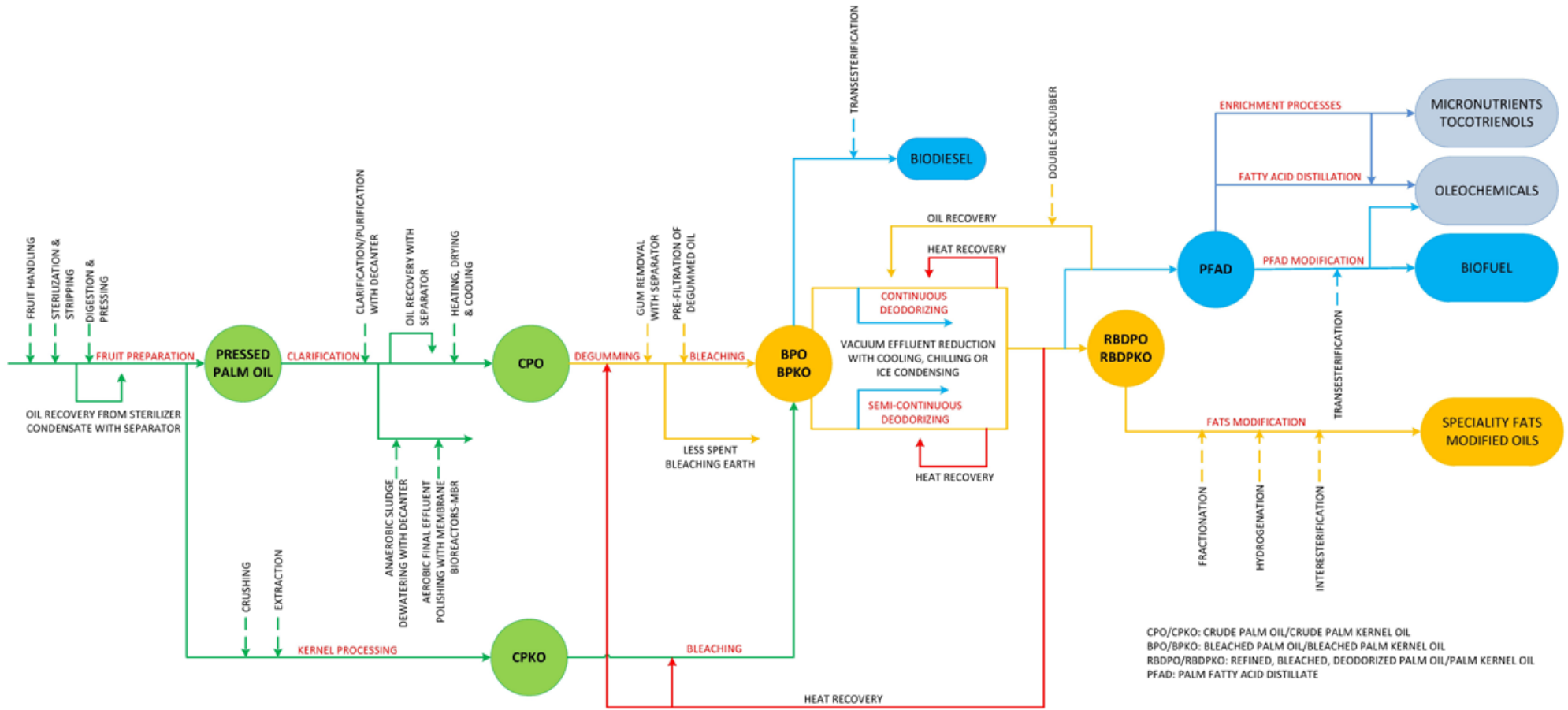
Detailed Schematics of Palm Oil Processes

# From Plantation to Product



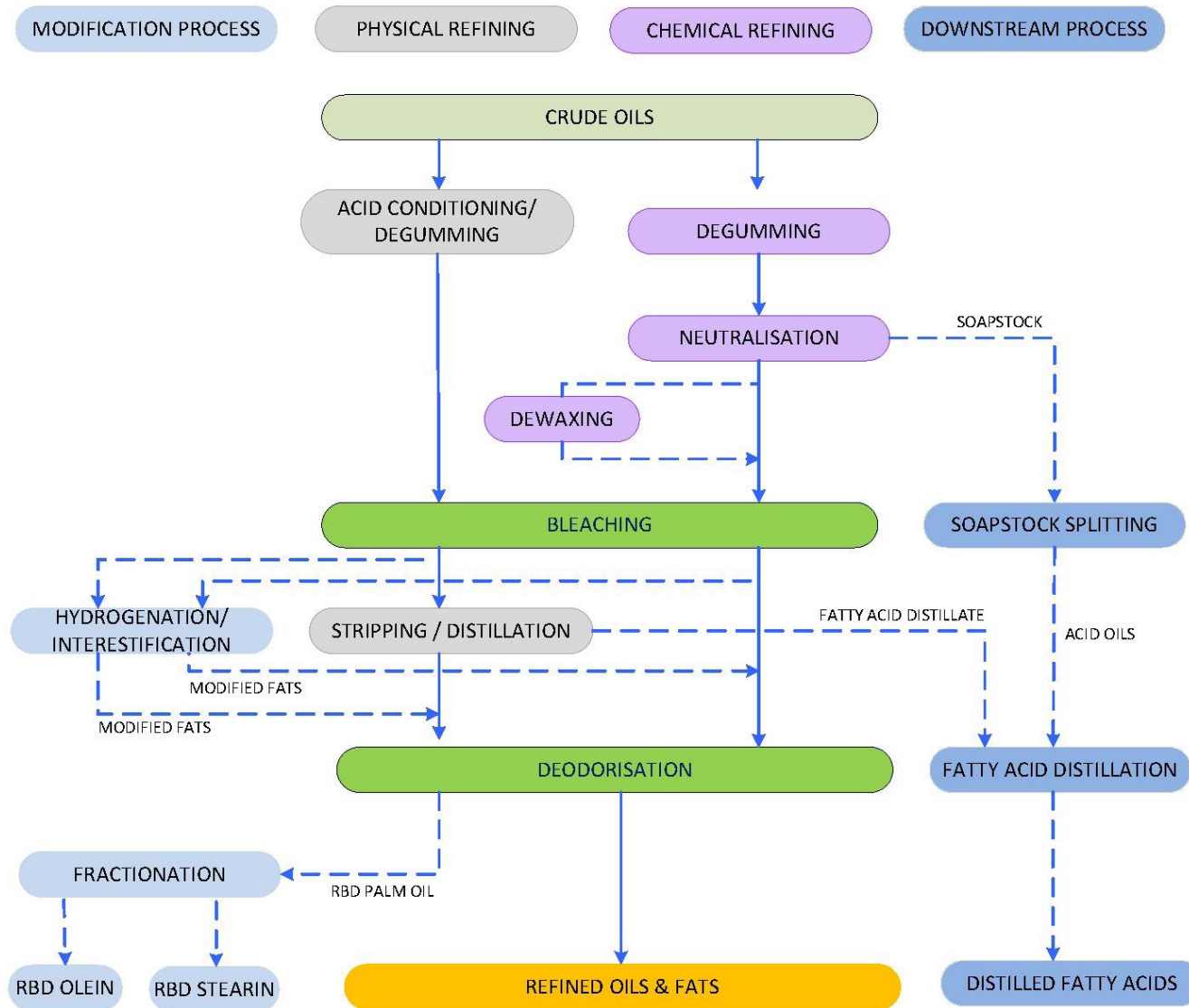


Typical Palm Oil Solution 1





Typical Palm Oil Solution 2





North America

Latin America

Europe

Middle East

Africa

Asia-Pacific

Flowserve Corporation  
5215 North O'Connor Boulevard  
Suite 2300  
Irving, Texas 75039  
[flowserve.com](http://flowserve.com)

***Experience In Motion***

FLS-1012-Diagrams (E/AQ) ASG-Palm Oil, December 2019 © 2019 Flowserve Corporation. All rights reserved. Kämmer, Logix, NAF, Valbart, Valtek, Flowserve, and the Flowserve design are registered marks of Flowserve Corporation. All other marks are the property of their respective owners.