

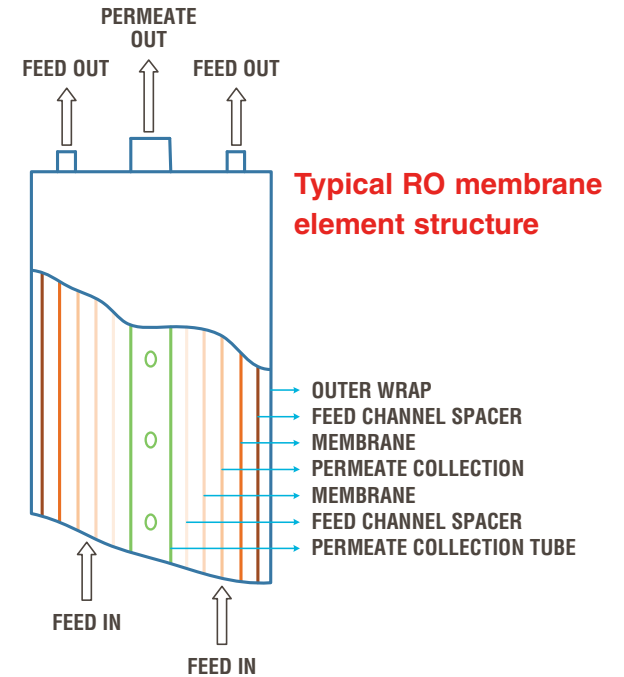
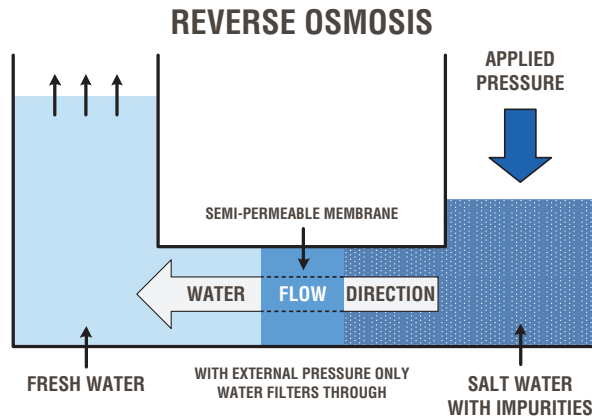
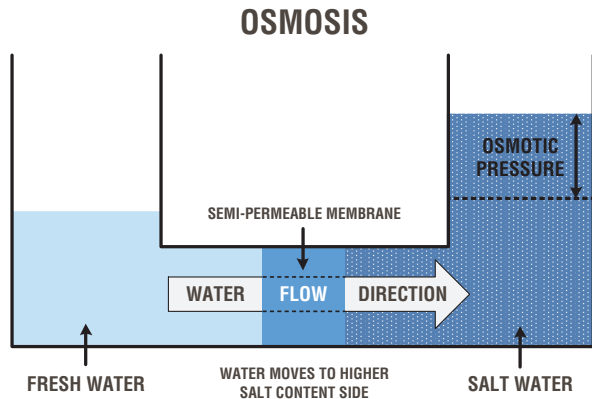
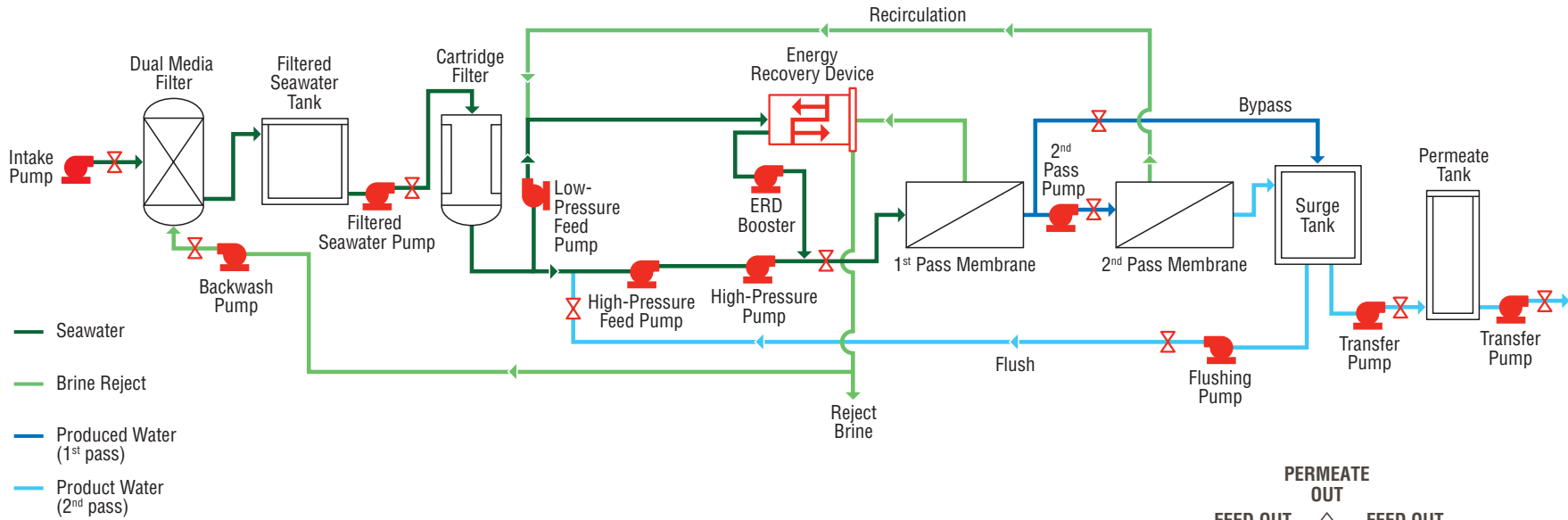
Process Flow Diagrams

DESALINATION

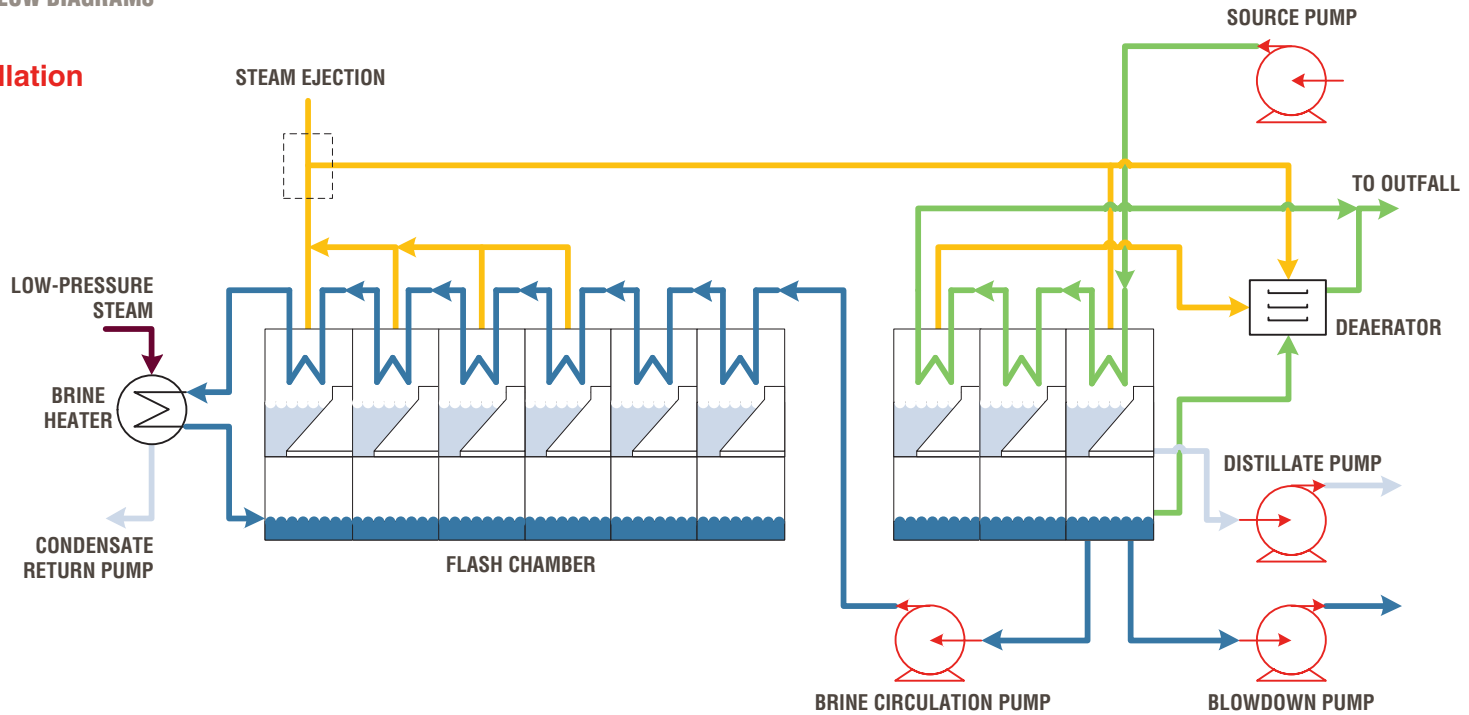


Experience In Motion

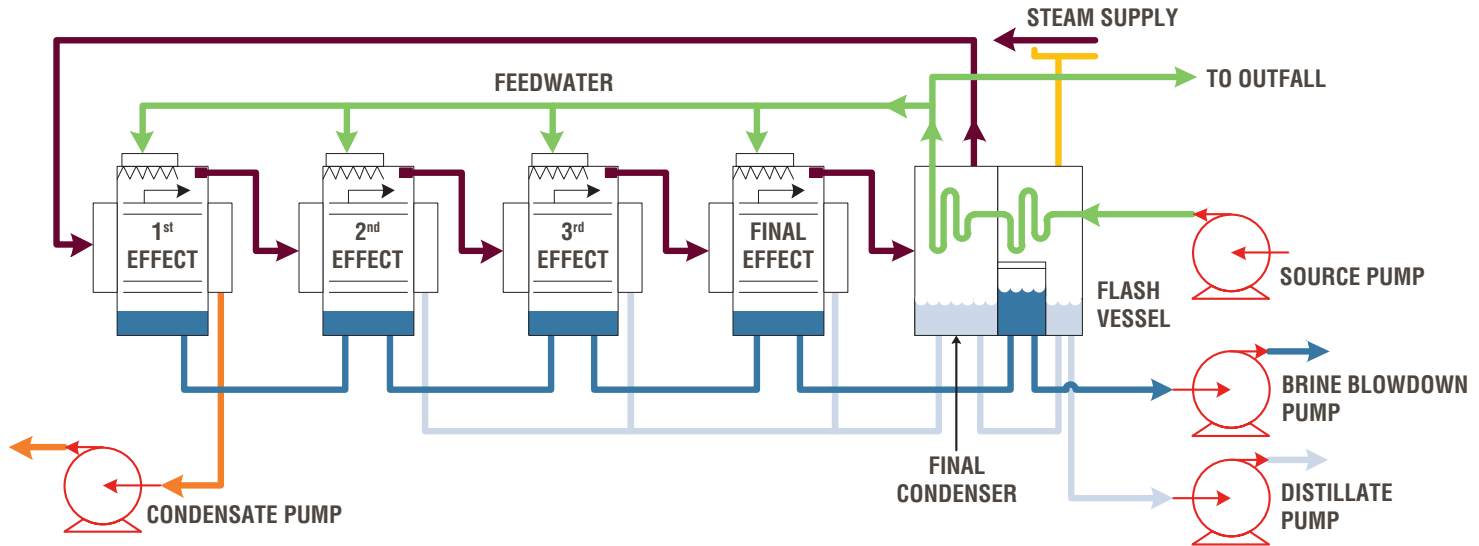
Schematic diagram of Salt Water Reverse Osmosis (SWRO) desalination plant employing DWEEER Energy Recovery Devices (ERD) technology



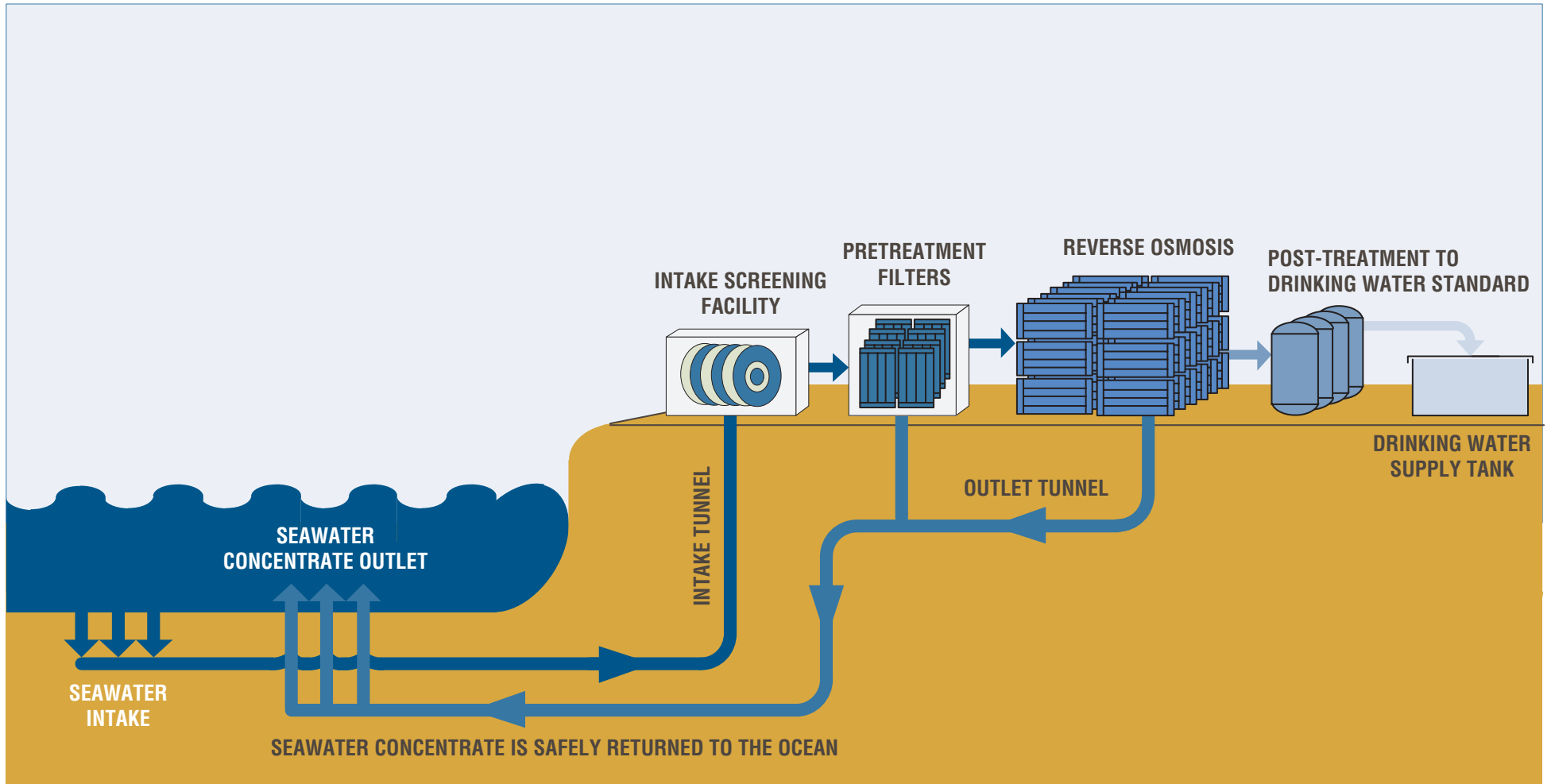
Multistage flash distillation process diagram



Multi-effect distillation process diagram

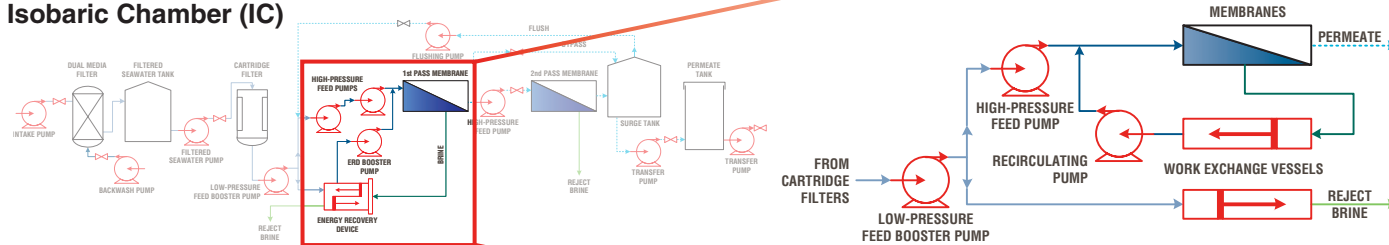


Basic SWRO process diagram

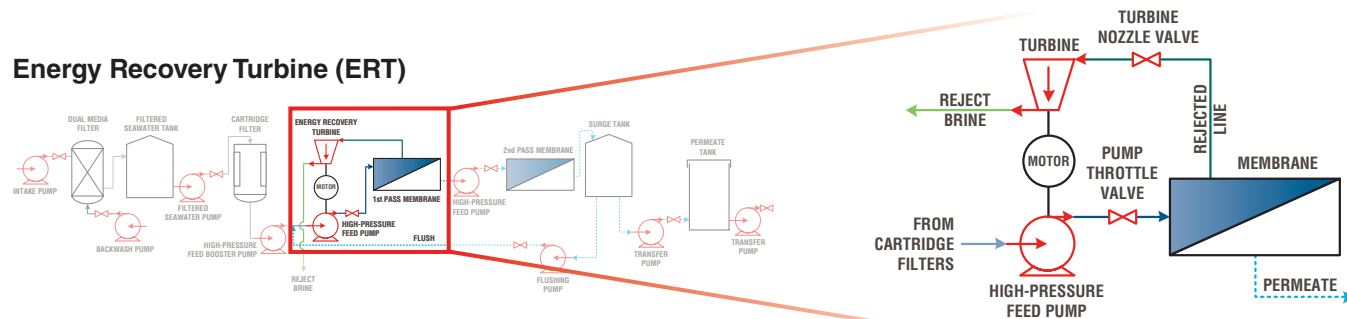


Main energy recovery technologies in schematic layout

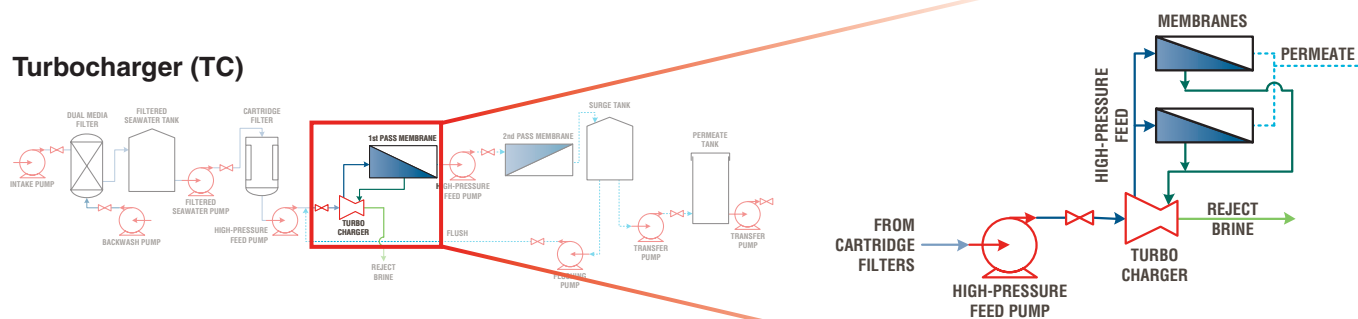
Isobaric Chamber (IC)



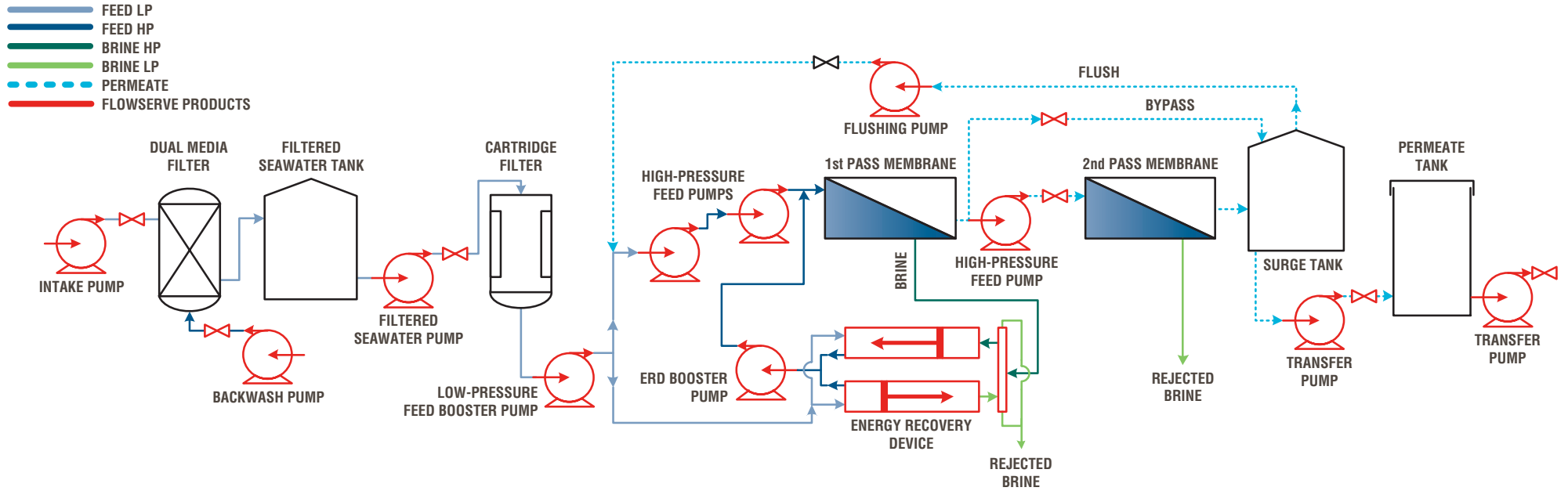
Energy Recovery Turbine (ERT)



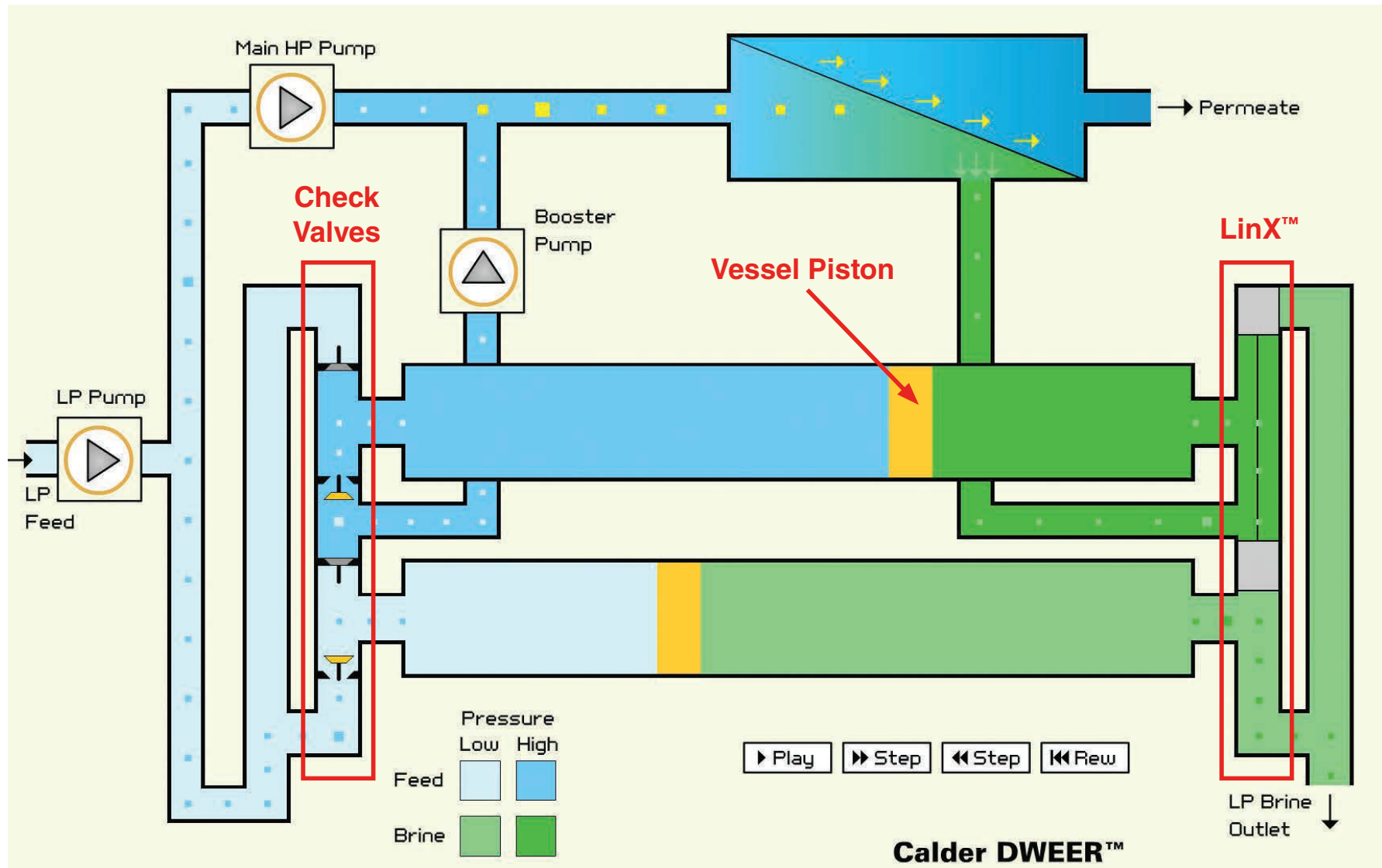
Turbocharger (TC)



Schematic of SWRO process employing DWEER energy recovery device



Simplified cross-section of a DWEER system in operation



IMPORTANT: DWEER operating principles are difficult to understand without strong visual reference. A helpful animation describing these principles is available at: <https://www.youtube.com/watch?v=QaKYbHwv4k4>.



North America

Latin America

Europe

Middle East

Africa

Asia-Pacific

Flowserve Corporation
5215 North O'Connor Boulevard
Suite 2300
Irving, Texas 75039
flowserve.com

Experience In Motion

FLS-1008-Diagrams (E/AQ) ASG-Desal, December 2019 © 2019 Flowserve Corporation. All rights reserved. Kämmer, Logix, NAF, Valbart, Valtek, Flowserve, and the Flowserve design are registered marks of Flowserve Corporation. All other marks are the property of their respective owners.