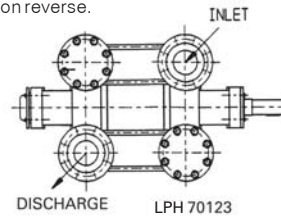
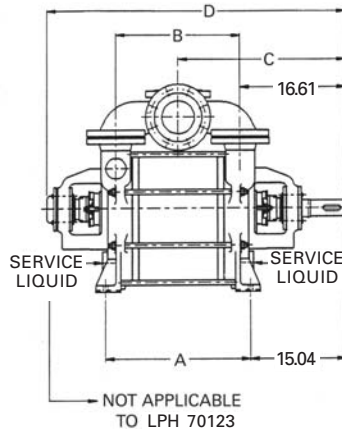
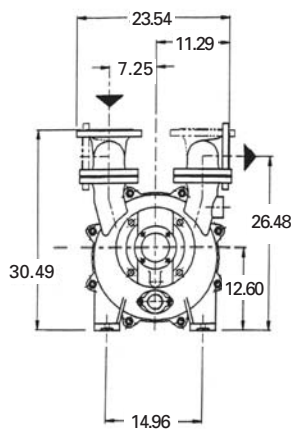


Dimensions (inches)

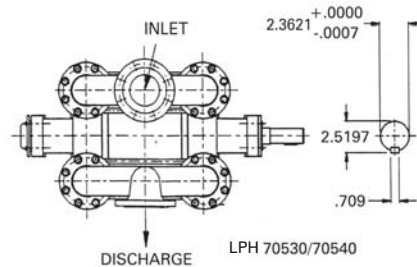
PUMP MODEL	A	B	C	D
70123	19.70	16.54		43.80
70530	22.44	19.29	26.26	46.65
70540	26.38	23.23	28.23	50.59

For connection sizes/ratings and motor sizes refer to engineering data table on reverse.



* SIDE DISCHARGE AVAILABLE ON 0B PUMPS ONLY

For baseplate mounting please obtain factory certified dimensions.



Capacity Table

Pump Model - LPH 70123																
Pump Speed (RPM)	4" Hg. 658 Torr		8" Hg. 557 Torr		12" Hg. 455 Torr		16" Hg. 354 Torr		20" Hg. 252 Torr		24" Hg. 150 Torr		26" Hg. 100 Torr		26.4" Hg. 89 Torr	
	acfm	HP	acfm	HP	acfm	HP	acfm	HP	acfm	HP	acfm	HP	acfm	HP	acfm	HP
1150	600	23.5	600	29.0	600	33.5	600	37.0	580	38.1	485	38.2	380	38.5	305	38.5
975	502	18.0	502	22.2	502	25.8	502	28.1	483	29.0	410	29.5	330	29.3	295	29.5
880	455	14.5	455	19.2	455	23.0	455	25.6	440	26.0	375	26.1	285	26.1	259	26.1
Pump Model - LPH 70530																
1150	825	36.0	820	40.0	812	43.6	795	47.0	760	49.0	685	50.5	545	51.0	430	50.5
975	685	24.5	685	28.8	685	32.2	675	35.5	655	37.5	590	38.5	485	38.3	410	38.2
880	590	20.5	590	24.5	590	28.0	590	31.0	575	33.5	535	34.0	450	34.0	365	34.0
Pump Model - LPH 70540																
1150	1120	49	1120	55	1120	60	1120	64	1095	67	1000	68	825	68	700	68
975	913	31	913	37	913	42	913	46	910	49	845	50	700	50	600	50
880	850	27	850	33	850	38	850	42	830	45	770	46	630	46	500	46

This data represents average values for pumps in standard materials. Capacity in cubic feet per minute at 68°F (20°C) using 60°F (16°C) water as service liquid. Vacuum in inches HG. Barometric pressure at sea level 29.92". Hg. abs. (760 Torr). All performance data per HEI standards; subject to SIHI standard tolerances.

All data subject to change without notice.

ENGINEERING DATA

PUMP MODEL	70123	70530	70540
Gas Conn. Size/Rating	4"/150RF	5"/150RF	5"/150RF
Ser. Liq. Line Size/Rating	2"/NPT	2"/NPT	2"/NPT
Cont. Drain Size/Rating	3/4"/NPT	3/4"/NPT	3/4"/NPT
*1) Motor (@ 1150 rpm) HP	*40	60	75
Bare Pump Wt. (lb)	850	1100	1200
Pump & Motor Unit Wt. (lb)	2150	2604	2779
Min. V-Belt Sheave Dia.	14"	14"	15.8"
Separator Model-XBA	6020	6030	6040
Separator Size-Recirc. (G.)	60	60	60
2)3) Norm Max. Gas Temp. (°F)	200	200	200
3) Max. Serv. Liq. Temp (°F)	180	180	180
4) Sound Level @ 24" Hg.(dBA)	78	80	80
Moment of Inertia Wr ² (lb.ft ²)	32.2	41.7	53.5
Casing Max. Working Pressure (psi)	30	30	30
Pneumatic Test Pressure (psig)	15	15	15

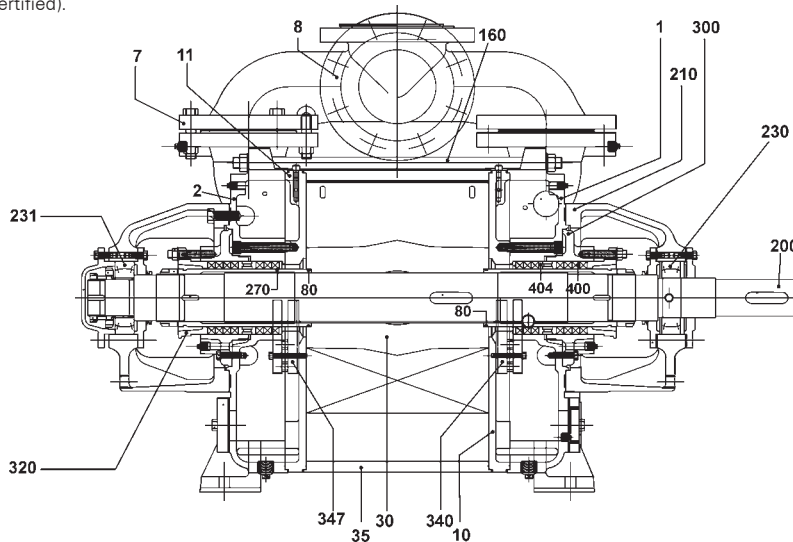
- *1) Operation above 16" Hg. motor should have 1.15 SF.
- 2) Max. gas temp. with saturated gases.
- 3) Higher temperature possible on request.
- 4) At 3ft. 1150 RPM without motor (not certified).

SERVICE LIQUID RATES

PUMP MODEL-LPH 70123															
Pump Speed (RPM)	8" Hg 557 Torr			12" Hg 455 Torr			16" Hg 354 Torr			20" Hg 252 Torr			26" Hg 100 Torr		
	A	B	C	A	B	C	A	B	C	A	B	C	A	B	C
1150		3.7	3.0		5.0	3.8		6.2	4.7		7.8	5.6		8.2	5.8
975	5.0	3.5	2.7	7.0	4.6	3.4	9.3	5.6	4.0	13	6.9	4.7	14	7.2	4.9
880		3.3	2.5		4.4	3.2		5.4	3.8		6.6	4.4		6.8	4.5
PUMP MODEL-LPH 70530															
1150		6.0	4.6		7.4	5.5		9.2	6.7		11	7.5		12	8.2
975	8.5	5.4	3.9	11	6.6	4.7	15	8.2	5.6	19	9.5	6.4	22	10	6.7
880		5.1	3.6		6.2	4.3		7.7	5.2		9.0	5.9		9.7	6.2
PUMP MODEL-LPH 70540															
1150		6.8	5.5		8.6	6.7		11	8.3		13	9.4		14	10
975	9.0	6.1	4.6	12	7.7	5.7	17	9.9	6.9	21	11	7.8	24	12	8.3
880		5.9	4.3		7.4	5.4		9.5	6.6		11	7.4		12	7.9

Column 'A' is the flow in USGPM required once through.
 Column 'B' is the make-up flow required when make-up water is 5°C (9°F) cooler than service water.
 Column 'C' is the make-up flow when make-up water is 10°C (18°F) cooler than service water.

SECTIONAL



*Standard rotation "AB" (clockwise) viewed from driven end. "AL" (counter clockwise) upon request.

*Items 7 and 8 (manifolds) not applicable to LPH 70123

PARTS LIST

1 Suction Cover	30 Impeller	230 Bearing	347 Orifice Plate Assembly
2 Discharge Cover	35 Centerbody	231 Bearing	400 Packing
7 Suction Manifold	80 O-ring	270 Shaft Sleeve	404 Lantern Ring
8 Discharge Manifold	160 Tie Bolt Assembly	300 Stuffing Box Flange	
10 Intermediate	200 Shaft	320 Gland	
11 Intermediate	210 Bearing Housing	340 Orifice Plate Assembly	

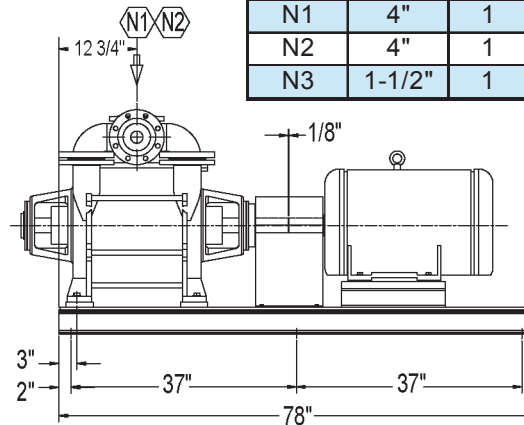
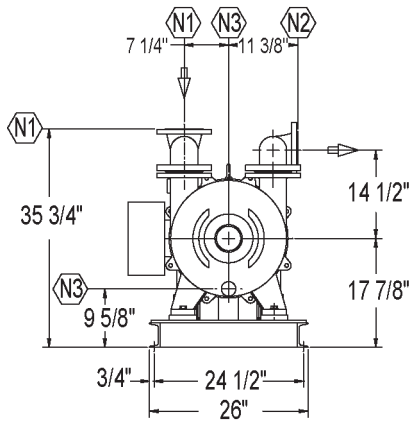
MATERIALS

ITEM	0B	4B
Casing - Wetted	Cast Iron	316 SS
Intermediates	Cast Iron	316 SS
Impeller(s)	Ductile Iron	316 SS
Shaft ⁵	420 SS QT	420 SS QT
Shaft Sleeves	420 SS	316 SS
Shaft Sealing	ADB ⁶	ADB ⁶
Casing- Non Wetted	Cast Iron	Cast Iron

⁵ Shaft is a non-wetted part ⁶ADB = single o-ring pusher seal with viton o-rings, carbon vs. SiC faces

Note: The service liquid supply pressure may vary with pump speed and vacuum level. Please consult factory engineering department for additional information.

BASE ASSEMBLY LPH 70123

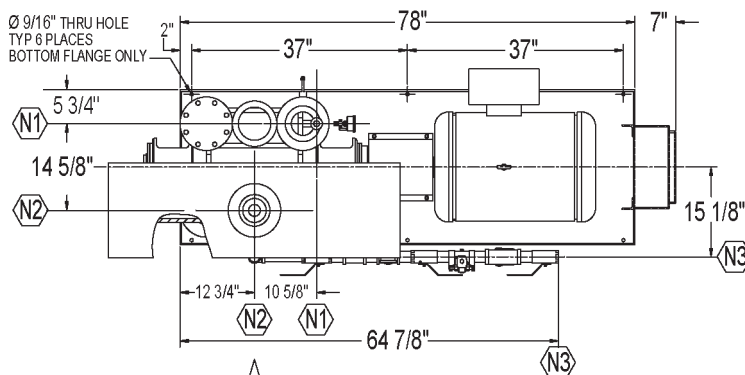


Nozzle Schedule				
Nozzle	Size	Qty.	Description	Service
N1	4"	1	150# RF FLG	Suction
N2	4"	1	150# RF FLG	Vent
N3	1-1/2"	1	FNPT	Service Liquid

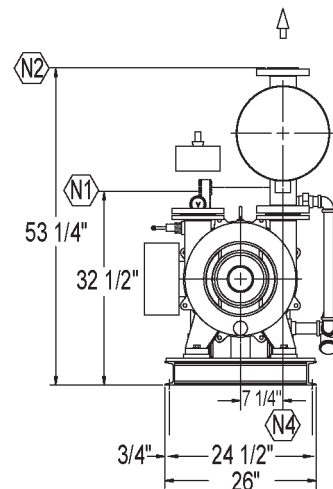
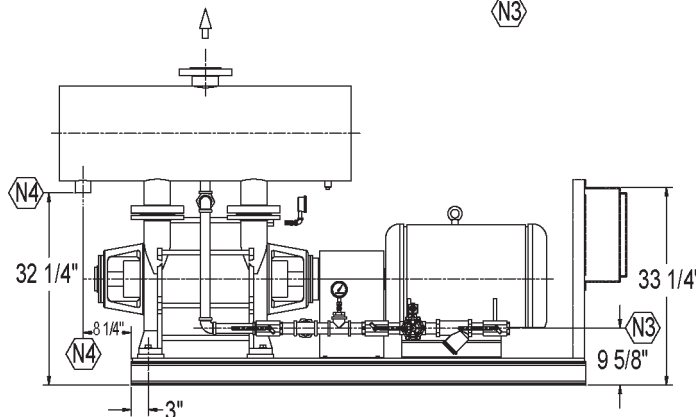
SIHI Pump Model No.	Motor HP/RPM	Motor Frame Size	Baseplate	Approx Shipping Weight
LPHR-70123	40/1150	364T F1	B708-9	6023

Dimensions subject to change, consult factory for certified drawing if required.

XBAR STANDARD PACKAGE LPH 70123



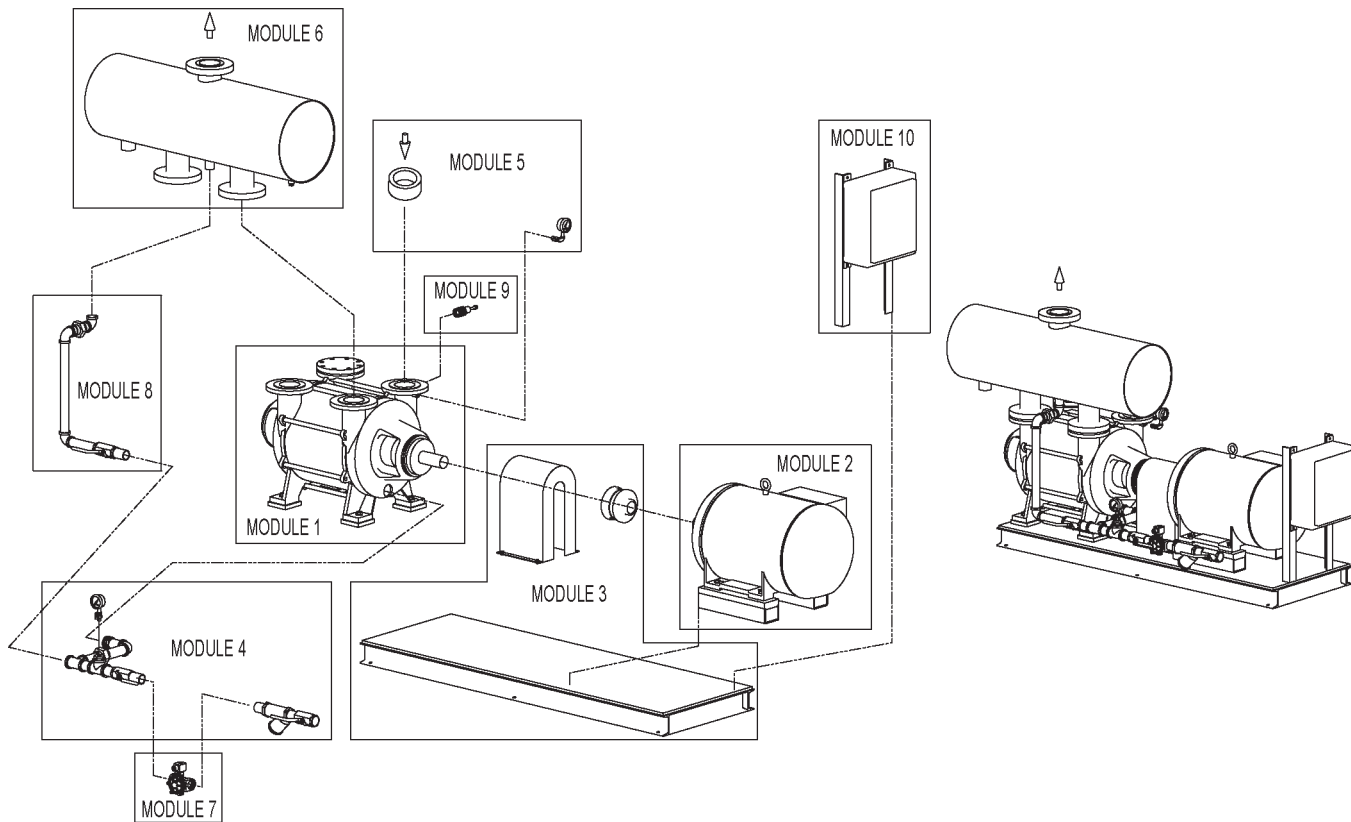
Nozzle Schedule				
Nozzle	Size	Qty.	Description	Service
N1	4"	1	150# RF FLG	Suction
N2	4"	1	150# RF FLG	Vent
N3	1-1/2"	1	FNPT	Service Liquid
N4	2"	1	MNPT	Overflow



System Model No.	Motor HP/RPM	Motor Frame Size	Xba Tank Model No.	Baseplate	Approx Shipping Weight
XBAR- 70123	40/1150	364T F1	6023	B708-9	2490

Dimensions subject to change, consult factory for certified drawing if required.

XBA STANDARD PACKAGE MODULAR CONSTRUCTION



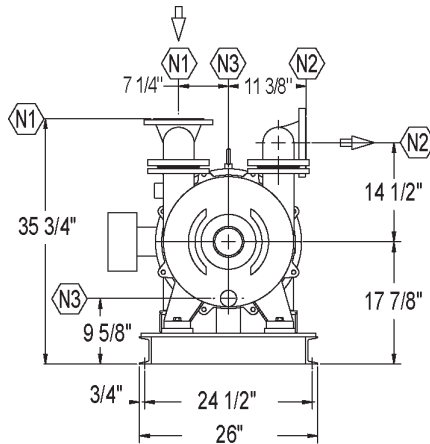
Pump Series:		70123 Pump			
Module	Description	Details	Module Standard Construction Options		
Module 1	Pump	Material	0B	4B	
Module 2	Motor	HP	40.0		
		RPM	1150		
		Enclosure	TEFC	EXPF	
		Voltage	208-230/460	575	
		Phase	3		
Module 3	Base Assembly	Base / Coupling / Guard	Channel Base & Flex Coupling & Guard to OSHA Guidelines		
Module 4	Service Liquid Line (less solenoid valve)	Valve / Piping	Bronze / CS	CS / CS	Stainless / Stainless
Module 5	Inlet Vacuum Line	Valve / Piping	Bronze / CS	CS / CS	Stainless / Stainless
Module 6	Discharge	Separator / Piping	CS / CS	Stainless / Stainless	
Module 7	Solenoid Valve	Enclosure	NEMA 4		NEMA 7
		Voltage	24VDC	120V/60Hz	110V/50Hz
		Material	Bronze		Stainless Steel
Module 8	Recirculation Line	Valve / Tubing	Bronze / Bronze	CS / CS	Stainless / Stainless
Module 9	Vacuum Relief Valve	Material	Bronze	Iron	Stainless Steel
Module 10	Control Panel	Enclosure	NEMA 4		NEMA 7
		Voltage	230	460	575

All data subject to change without notice.

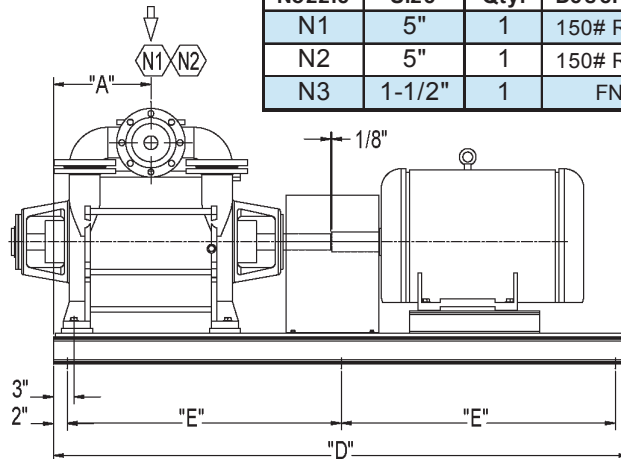
02.LPH 70000.04

DATA-LPH 70000-2018MAR19
© 2018 Flowserve Canada Corp.

BASE ASSEMBLY LPH 70530/70540



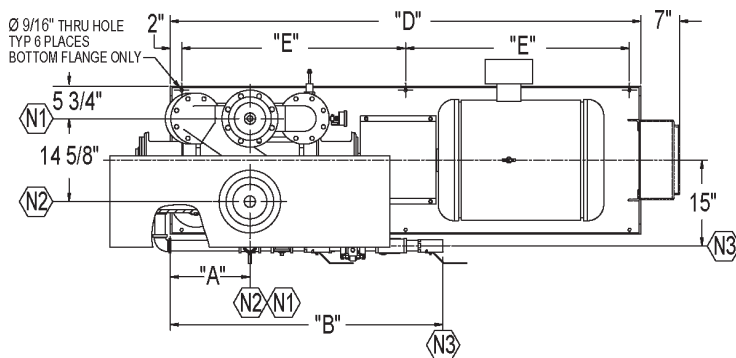
Nozzle Schedule				
Nozzle	Size	Qty.	Description	Service
N1	5"	1	150# RF FLG	Suction
N2	5"	1	150# RF FLG	Vent
N3	1-1/2"	1	FNPT	Service Liquid



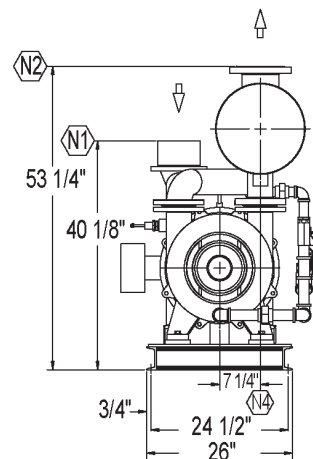
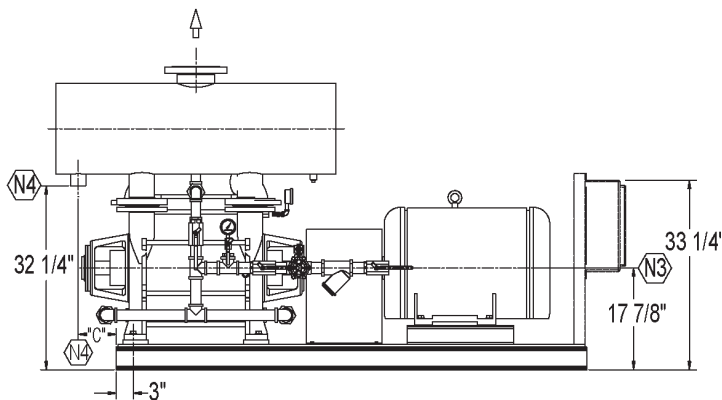
SIHI Pump Model No.	Motor HP/RPM	Motor Frame Size	Baseplate	Approx Shipping Weight	A	D	E
LPHR-70530	60 / 1150	404T F1	B708-11	2724	14-1/4"	84"	40"
LPHR-70540	75 / 1150	405T F1	B708-16	2919	16-1/4"	90"	43"

Dimensions subject to change, consult factory for certified drawing if required.

XBAR STANDARD PACKAGE LPH 70530/70540



Nozzle Schedule				
Nozzle	Size	Qty.	Description	Service
N1	5"	1	150# RF FLG	Suction
N2	5"	1	150# RF FLG	Vent
N3	1-1/2"	1	FNPT	Service Liquid
N4	2"	1	MNPT	Overflow

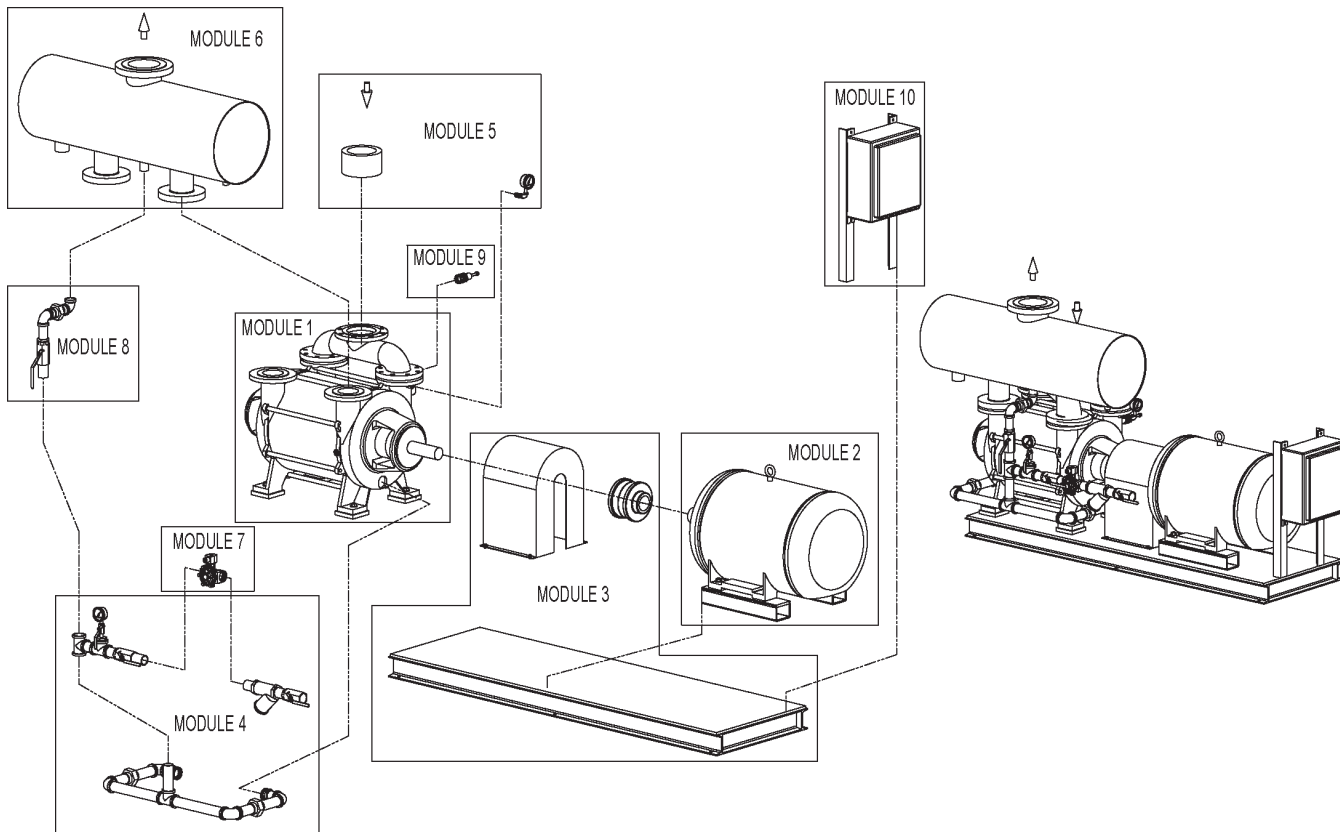


System Model No.	Motor HP/RPM	Motor Frame Size	Xba Tank Model No.	Baseplate	Approx Shipping Weight	A	B	C	D	E
XBAR-70530	60 / 1150	404T F1	6030	B708-11	2894	14-1/4"	48-3/4"	6-3/4"	84"	40"
XBAR-70540	75 / 1150	405T F1	6040	B708-16	3089	16-1/4"	50-5/8"	4-3/4"	90"	43"

Dimensions subject to change, consult factory for certified drawing if required.

All data subject to change without notice.

XBAR STANDARD PACKAGE MODULAR CONSTRUCTION



Pump Series:		70530 & 70540 Pumps			
Module	Description	Details	Module Standard Construction Options		
Module 1	Pump	Material	0B	4B	
Module 2	Motor	HP	60.0	75.0	
		RPM	1150		
		Enclosure	TEFC	EXPF	
		Voltage	208-230/460	575	
		Phase	3		
Module 3	Base Assembly	Base / Coupling / Guard	Channel Base & Flex Coupling & Guard to OSHA Guidelines		
Module 4	Service Liquid Line (less solenoid valve)	Valve / Piping	Bronze / CS	CS / CS	Stainless / Stainless
Module 5	Inlet Vacuum Line	Valve / Piping	Bronze / CS	CS / CS	Stainless / Stainless
Module 6	Discharge	Separator / Piping	CS / CS	Stainless / Stainless	
Module 7	Solenoid Valve	Enclosure	NEMA 4		NEMA 7
		Voltage	24VDC	120V/60Hz	110V/50Hz
		Material	Bronze		Stainless Steel
Module 8	Recirculation Line	Valve / Tubing	Bronze / Bronze	CS / CS	Stainless / Stainless
Module 9	Vacuum Relief Valve	Material	Bronze	Iron	Stainless Steel
Module 10	Control Panel	Enclosure	NEMA 4		NEMA 7
		Voltage	230	460	575

All data subject to change without notice.