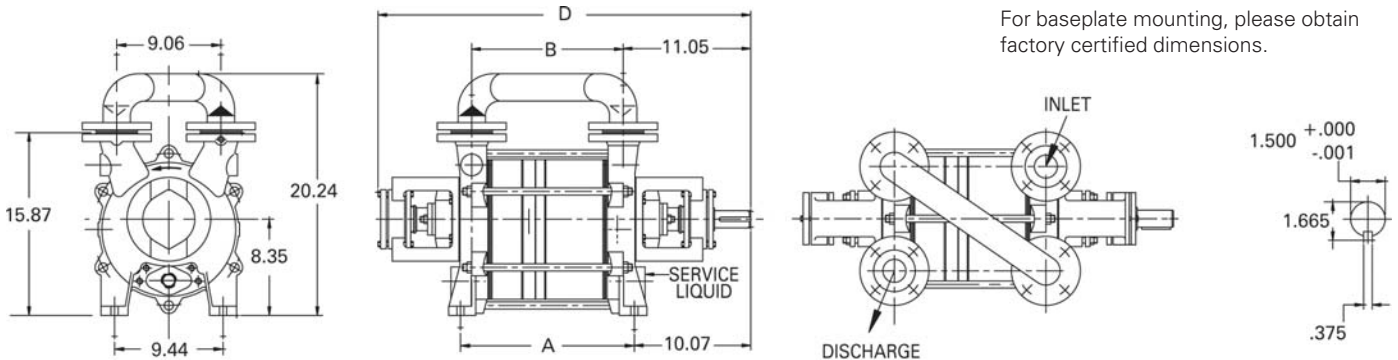


Dimensions (inches)

| Pump Model | A | B | C | D |
|------------|-------|-------|---|-------|
| 55312 | 15.13 | 13.17 | | 32.30 |
| 55316 | 16.71 | 14.75 | | 33.88 |
| 55320 | 19.07 | 17.11 | | 36.24 |

For connection sizes/ratings and motor sizes, refer to engineering data table on reverse.



Capacity Table

| Pump Model - LPH 55312 | | | | | | | | | | | | | | |
|------------------------|--------------------|------|----------------------|------|--------------------|------|-----------------------|------|-------------------|------|---------------------|------|---------------------|------|
| Speed (RPM) | 20" Hg 252 Torr | | 22.5" Hg 188 Torr | | 25" Hg 125 Torr | | 27.5" Hg 61.5 Torr | | 28" Hg 49 Torr | | 28.7" Hg 31 Torr | | 28.9" Hg 25 Torr | |
| | acfm | HP | acfm | HP | acfm | HP | acfm | HP | acfm | HP | acfm | HP | acfm | HP |
| 1750 | 177 | 15.4 | 196 | 14.0 | 199 | 13.9 | 186 | 13.3 | 173 | 13.2 | 130 | 12.8 | 117 | 12.8 |
| 1450 | 155 | 9.9 | 166 | 9.9 | 168 | 9.6 | 151 | 9.2 | 137 | 9.2 | 106 | 9.0 | 94 | 9.0 |
| 1150 | 118 | 7.0 | 123 | 7.0 | 124 | 7.0 | 119 | 6.6 | 110 | 6.6 | 82 | 6.5 | 71 | 6.5 |
| Pump Model - LPH 55316 | | | | | | | | | | | | | | |
| 1750 | 228 | 16.8 | 244 | 16.8 | 248 | 15.8 | 230 | 14.5 | 210 | 14.3 | 149 | 14.1 | 122 | 14.0 |
| 1450 | 185 | 12.3 | 196 | 12.3 | 202 | 11.6 | 187 | 10.5 | 172 | 10.2 | 125 | 10.1 | 109 | 10.0 |
| 1150 | 135 | 8.7 | 145 | 8.6 | 148 | 8.2 | 130 | 7.5 | 118 | 7.3 | 87 | 7.2 | 76 | 7.2 |
| Pump Model - LPH 55320 | | | | | | | | | | | | | | |
| 1750 | 247 | 20.0 | 302 | 19.8 | 315 | 19.5 | 290 | 19.2 | 265 | 18.8 | 183 | 18.3 | 148 | 17.6 |
| 1450 | 224 | 14.4 | 242 | 14.5 | 247 | 13.8 | 232 | 12.7 | 213 | 12.4 | 153 | 12.0 | 123 | 11.9 |
| 1150 | 147 | 11.8 | 157 | 12.8 | 160 | 13.0 | 143 | 12.6 | 131 | 12.4 | 106 | 12.0 | 82 | 11.9 |

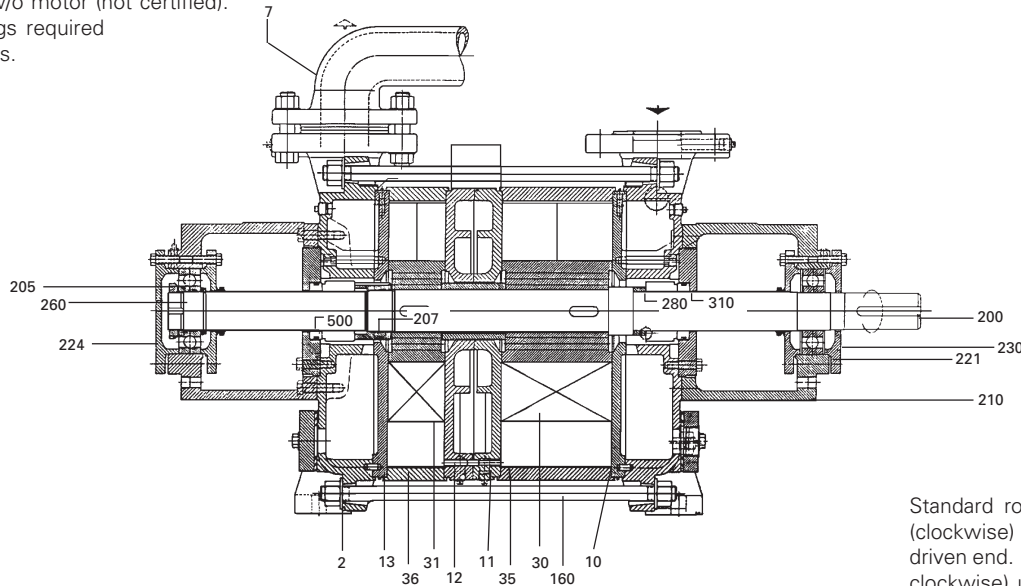
This data represents average values for pumps in standard materials. Capacity in actual cubic feet per minute at 68°F (20°C) using 60°F (16°C) water as a service liquid. Vacuum in inches Hg. Barometric pressure at sea level 29.92" Hg abs. (760 Torr). All performance data per HEI standards; subject to SIHI standard tolerances.

ENGINEERING DATA

| PUMP MODEL | 55312 | 55316 | 55320 |
|--|-----------|-----------|-----------|
| Gas Conn. Size/Rating (U) | 2"/150 RF | 2"/150 RF | 2"/150 RF |
| Service Liq. Line Size/Rating (U _B) | 1"/NPT | 1"/NPT | 1"/NPT |
| Cont. Drain Size/Rating (U _{se}) | ¼"/NPT | ¼"/NPT | ¼"/NPT |
| Motor (@ 1750 rpm) HP | 20 | 20 | 25 |
| Bare Pump Wt. (lb) | 306 | 332 | 359 |
| Pump & Motor Unit Wt. (lb) | 698 | 744 | 856 |
| 4 Min. V-Belt Sheave Dia. | 7.9" | 7.9" | N/A |
| Separator Model - XBA | 2041 | 2041 | 2041 |
| Separator Size - Recirc. (Gal.) | 20 | 20 | 20 |
| 12 Norm. Max. Gas Temp. (°F) | 200 | 200 | 200 |
| 2 Max. Service Liq. Temp. (°F) | 180 | 180 | 180 |
| 3 Sound Level @ 27.6" HgV (dBA) | 66 | 66 | 66 |
| Moment of Inertia Wr ² (lb. ft ²) | 3.25 | 3.84 | 4.86 |
| Casing Max. Working Pressure (psi) | 30 | 30 | 30 |
| Pneumatic Test Pressure (psig) | 15 | 15 | 15 |

1. Max. gas temperature with saturated gases.
2. Higher temperatures possible on request.
3. At 3 ft., 1750 RPM w/o motor (not certified).
4. Special pump bearings required for V-Belt applications.

SECTIONAL



PARTS LIST

- | | | | |
|--------------------|------------------------|----------------------|----------------------|
| 1. Suction Cover | 13. Intermediate | 200. Shaft | 230. Bearing |
| 2. Discharge Cover | 30. Impeller | 205. Bearing Nut | 260. Bearing Spacer |
| 7. Bypass Manifold | 31. Impeller | 207. Impeller Nut | 280. Seal Spacer |
| 10. Intermediate | 35. Centerbody | 210. Bearing Housing | 310. Seal Cover |
| 11. Intermediate | 36. Centerbody | 221. Bearing Cover | 500. Mechanical Seal |
| 12. Intermediate | 160. Tie Bolt Assembly | 224. Bearing Cover | |

MATERIALS

| ITEM | 0B | 4B |
|---------------------|------------------|------------------|
| Casing - Wetted | Cast Iron | 316 SS |
| Intermediates | Cast Iron | 316 SS |
| Impeller(s) | Ductile Iron | 316 SS |
| Shaft | 420 SS QT | 316 SS |
| Shaft Sleeves | N/A | N/A |
| Mechanical Seal | AAB ⁶ | AAB ⁶ |
| Casing - Non Wetted | Cast Iron | Cast Iron |

Standard rotation 'AB' (clockwise) viewed from driven end. 'AL' (counter-clockwise) upon request.

SERVICE LIQUID RATES (USGPM)

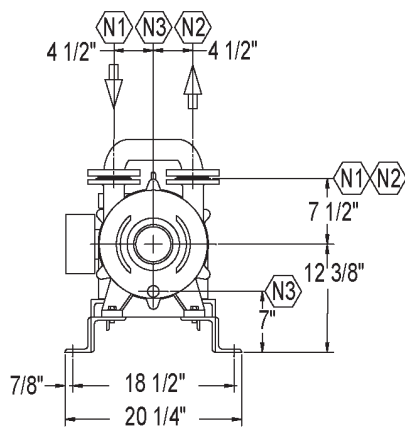
| PUMP MODEL - LPH 55312 | | | | | | | | | | | | | | | |
|------------------------|--------------------|-----|-----|--------------------|-----|-----|-------------------|-----|-----|---------------------|-----|-----|---------------------|-----|-----|
| Pump Speed | 20" Hg 252 Torr | | | 25" Hg 125 Torr | | | 28" Hg 49 Torr | | | 28.7" Hg 31 Torr | | | 28.9" Hg 25 Torr | | |
| | A | B | C | A | B | C | A | B | C | A | B | C | A | B | C |
| 1750 | | 4.2 | 2.7 | | 4.0 | 2.5 | | 4.1 | 2.5 | | 4.1 | 2.5 | | 4.2 | 2.6 |
| 1450 | 8.5 | 3.2 | 1.9 | 9.0 | 3.2 | 1.9 | 10.5 | 3.2 | 1.9 | 11.5 | 3.3 | 1.9 | 12.0 | 3.3 | 1.9 |
| 1150 | | 2.5 | 1.5 | | 2.6 | 1.5 | | 2.6 | 1.4 | | 2.6 | 1.4 | | 2.6 | 1.5 |

| PUMP MODEL - LPH 55316 | | | | | | | | | | | | | | | |
|------------------------|--------------------|-----|-----|--------------------|-----|-----|-------------------|-----|-----|---------------------|-----|-----|---------------------|-----|-----|
| Pump Speed | 20" Hg 252 Torr | | | 25" Hg 125 Torr | | | 28" Hg 49 Torr | | | 28.7" Hg 31 Torr | | | 28.9" Hg 25 Torr | | |
| | A | B | C | A | B | C | A | B | C | A | B | C | A | B | C |
| 1750 | | 4.4 | 2.9 | | 4.5 | 2.9 | | 4.5 | 2.8 | | 4.6 | 2.0 | | 4.7 | 2.8 |
| 1450 | 9.0 | 3.7 | 2.0 | 10.0 | 3.7 | 2.3 | 11.5 | 3.6 | 2.7 | 12.5 | 3.6 | 2.1 | 13.5 | 3.7 | 2.7 |
| 1150 | | 3.0 | 1.6 | | 2.9 | 1.7 | | 2.8 | 1.4 | | 2.8 | 1.6 | | 2.9 | 1.6 |

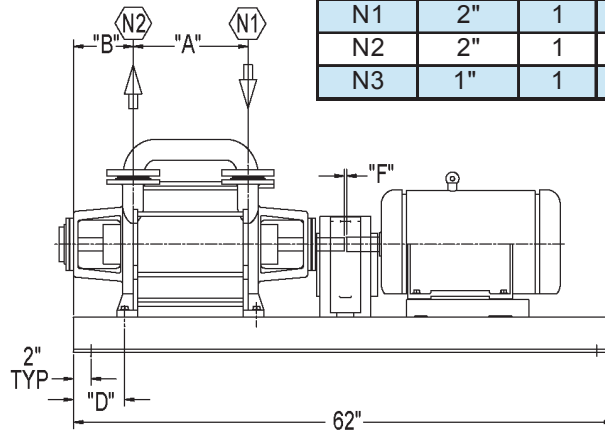
| PUMP MODEL - LPH 55320 | | | | | | | | | | | | | | | |
|------------------------|--------------------|-----|-----|--------------------|-----|-----|-------------------|-----|-----|---------------------|-----|-----|---------------------|-----|-----|
| Pump Speed | 20" Hg 252 Torr | | | 25" Hg 125 Torr | | | 28" Hg 49 Torr | | | 28.7" Hg 31 Torr | | | 28.9" Hg 25 Torr | | |
| | A | B | C | A | B | C | A | B | C | A | B | C | A | B | C |
| 1750 | | 4.9 | 3.2 | | 5.3 | 3.4 | | 5.5 | 3.4 | | 5.7 | 3.5 | | 5.6 | 3.4 |
| 1450 | 10.0 | 4.2 | 2.7 | 12.0 | 4.4 | 2.7 | 14.0 | 4.3 | 2.6 | 15.5 | 4.4 | 2.6 | 16.0 | 4.4 | 2.5 |
| 1150 | | 3.8 | 2.3 | | 4.3 | 2.6 | | 4.3 | 2.6 | | 4.4 | 2.6 | | 4.4 | 2.5 |

Column 'A' is the flow in USGPM required - once through.
 Column 'B' is the make-up flow required when make-up water is 5°C (9°F) cooler than service water.
 Column 'C' is the make-up flow when make-up water is 10°C (18°F) cooler than service water.

BASE ASSEMBLY



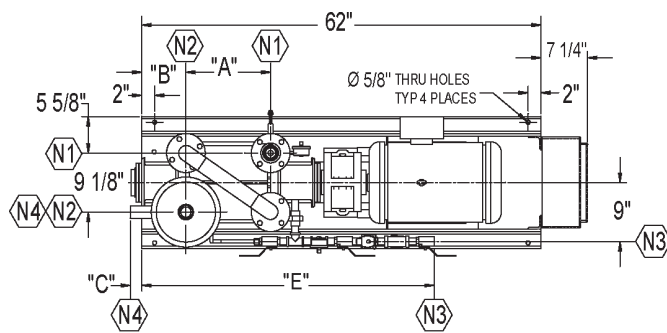
| Nozzle Schedule | | | | |
|-----------------|------|------|-------------|----------------|
| Nozzle | Size | Qty. | Description | Service |
| N1 | 2" | 1 | FNPT | Suction |
| N2 | 2" | 1 | MNPT | Vent |
| N3 | 1" | 1 | FNPT | Service Liquid |



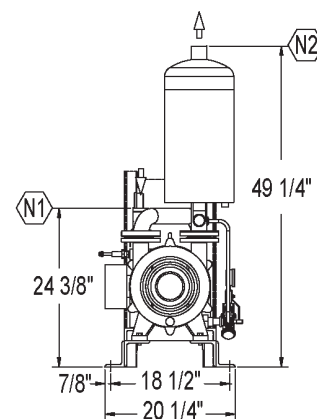
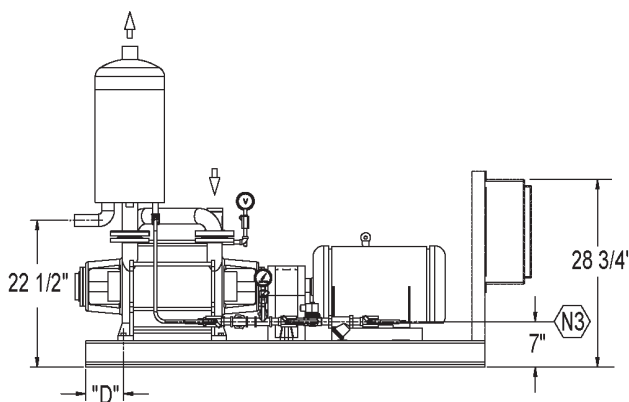
| SIHI Pump Model No. | Motor HP/RPM | Motor Frame Size | Baseplate | Approx Shipping Weight | A | B | D | F |
|---------------------|--------------|------------------|-----------|------------------------|---------|--------|--------|------|
| LPHR-55312 | 20 / 1750 | 256T F1 | B2208-32 | 764 | 13-1/8" | 6-7/8" | 5-7/8" | 1/4" |
| LPHR-55316 | 20 / 1750 | 256T F1 | B2208-32 | 782 | 15-7/8" | 5-1/4" | 4-1/4" | 1/4" |
| LPHR-55320 | 25 / 1750 | 284T F1 | B2208-43 | 899 | 17-1/8" | 2-7/8" | 1-7/8" | 3/4" |

Dimensions subject to change, consult factory for certified drawing if required.

XBAR STANDARD PACKAGE



| Nozzle Schedule | | | | |
|-----------------|--------|------|-------------|----------------|
| Nozzle | Size | Qty. | Description | Service |
| N1 | 2" | 1 | FNPT | Suction |
| N2 | 2" | 1 | MNPT | Vent |
| N3 | 1" | 1 | FNPT | Service Liquid |
| N4 | 1-1/2" | 1 | MNPT | Overflow |



| System Model No. | Motor HP/RPM | Motor Frame Size | Xba Tank Model No. | Baseplate | Approx Shipping Weight | A | B | C | D | E |
|------------------|--------------|------------------|--------------------|-----------|------------------------|---------|--------|--------|--------|---------|
| XBAR-55312 | 20 / 1750 | 256T F1 | 2041 | B2208-32 | 890 | 13-1/8" | 6-7/8" | 1-3/4" | 5-7/8" | 45-3/8" |
| XBAR-55316 | 20 / 1750 | 256T F1 | 2041 | B2208-32 | 908 | 15-7/8" | 5-1/4" | 3-3/8" | 4-1/4" | 46-5/8" |
| XBAR-55320 | 25 / 1750 | 284T F1 | 2041 | B2208-43 | 1025 | 17-1/8" | 2-7/8" | 5-3/4" | 1-7/8" | 45-3/8" |

Dimensions subject to change, consult factory for certified drawing if required.

All data subject to change without notice.

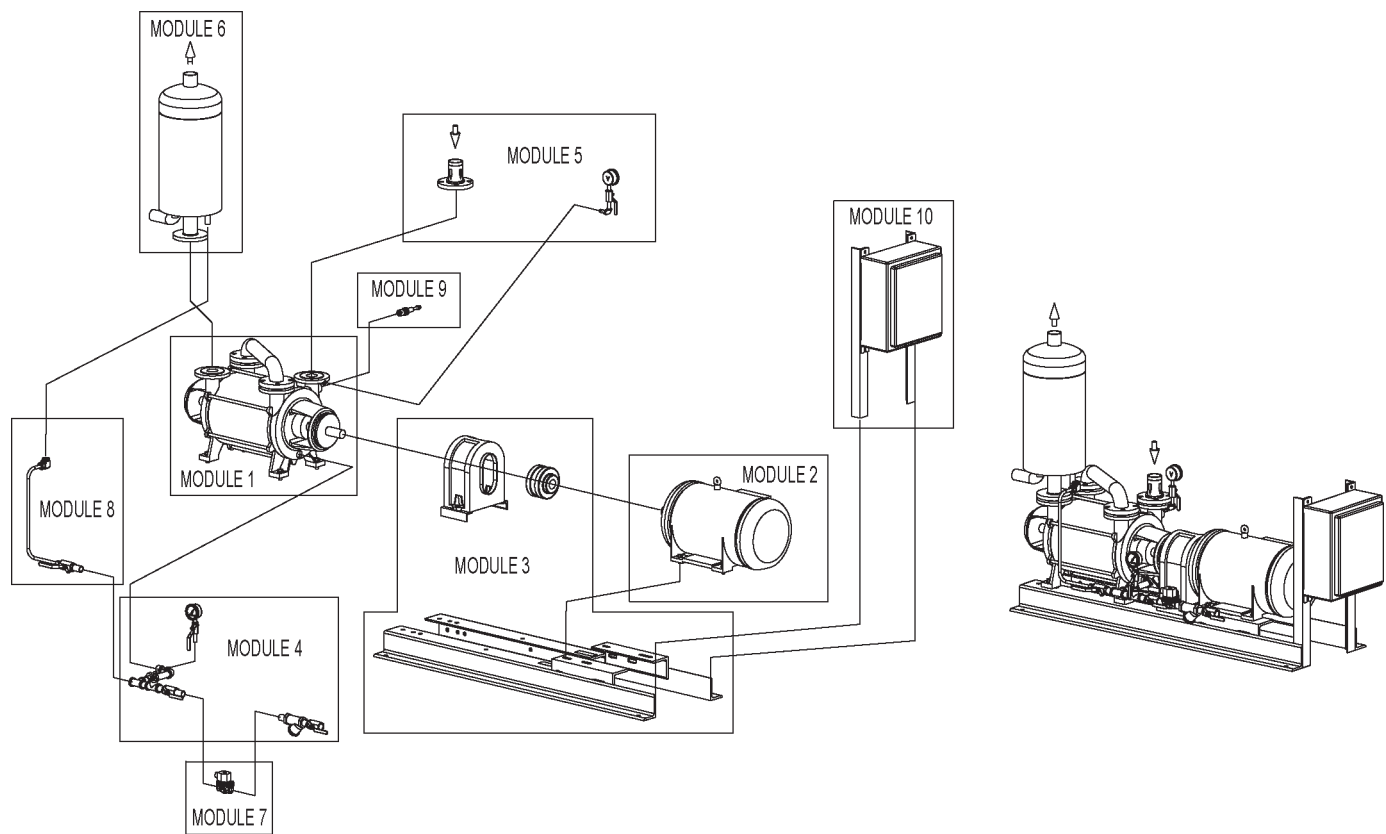
03.LPH 55000.03

Printed in U.S.A.



DATA-LPH 55000-2018MAR19
© 2018 Flowserve Canada Corp.

XBAR STANDARD PACKAGE MODULAR CONSTRUCTION



| Pump Series: | | 55000 Series | | | |
|--------------|---|-------------------------|--|-----------|-----------------------|
| Module | Description | Details | Module Standard Construction Options | | |
| Module 1 | Pump | Material | 0A | 0B | 4B |
| Module 2 | Motor | HP | 20.0 | | 25.0 |
| | | RPM | 1750 | | |
| | | Enclosure | TEFC | | EXPF |
| | | Voltage | 208-230/460 | | 575 |
| | | Phase | 3 | | |
| Module 3 | Base Assembly | Base / Coupling / Guard | Rail Base & Flex Coupling & Guard to OSHA Guidelines | | |
| Module 4 | Service Liquid Line (less solenoid valve) | Valve / Piping | Bronze / CS | CS / CS | Stainless / Stainless |
| Module 5 | Inlet Vacuum Line | Valve / Piping | Bronze / CS | CS / CS | Stainless / Stainless |
| Module 6 | Discharge | Separator / Piping | CS / CS | | Stainless / Stainless |
| Module 7 | Solenoid Valve | Enclosure | NEMA 4 | | NEMA 7 |
| | | Voltage | 24VDC | 120V/60Hz | 110V/50Hz |
| | | Material | Bronze | | Stainless Steel |
| Module 8 | Recirculation Line | Valve / Tubing | Bronze / Bronze | CS / CS | Stainless / Stainless |
| Module 9 | Vacuum Relief Valve | Material | Bronze | Iron | Stainless Steel |
| Module 10 | Control Panel | Enclosure | NEMA 4 | | NEMA 7 |
| | | Voltage | 230 | 460 | 575 |