

Flowserve Collaboration Helps Improve Process Design Before Finalization of Specifications

Challenge

A leading process licensor partner consulted Flowserve for flow control equipment expertise to improve the process design and capacity scale-up of an upcoming plant, with the objectives of improving efficiency, safety and reliability while reducing emissions.

Solution

By working together during the early design stages of the project, the Flowserve and process licensor partnership produced critical feedback concerning the interaction between the conditions and the control valves. This enabled adjustments to be made during the early design stages of the project which would ultimately help streamline the plant's start-up time, thus minimizing waste and improving efficiency.

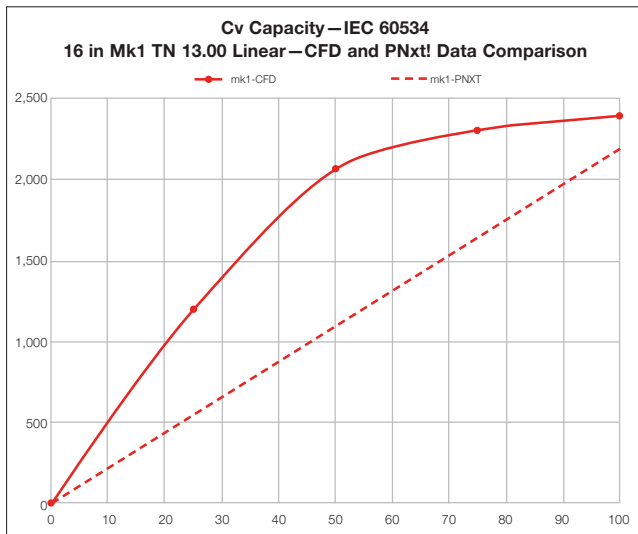
In 2021, a leading process technology licensor collaborated with Flowserve on the design of a large-scale, world-class plant. As part of this process, Flowserve sized up and modeled a solution using the latest control valve technology — the Valtek® Mark 100™ valve — designed to overcome limitations experienced in previous projects.

Flowserve has a long history of this kind of collaboration with technology licensors, plant operators, and engineering, procurement and construction (EPC) firms. The company's expertise and product knowledge are proven assets when developing solutions to scale-up, reliability, efficiency and safety challenges. More recently, partners have increasingly turned to Flowserve to help meet the challenges of converting to cleaner energy sources and digitizing operations.

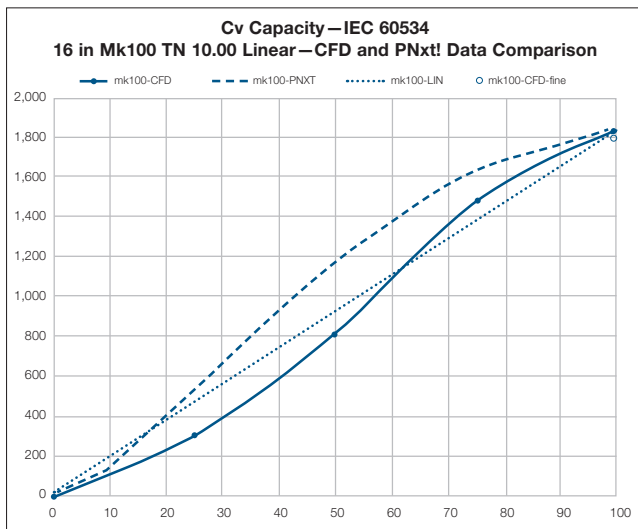


Solving old problems — and preventing new ones

Technological advances have made it possible for Flowserve to improve the quality and performance of a critical control valve application that impacts product quality and the safety and availability of the unit's process. The first step was to verify the accuracy of Flowserve's sizing and computational fluid dynamics (CFD) analysis, using a computer-aided design (CAD) model of the original valve and replicating its past performance in an older plant.



Original Mark One valve, published and modeled flow curves

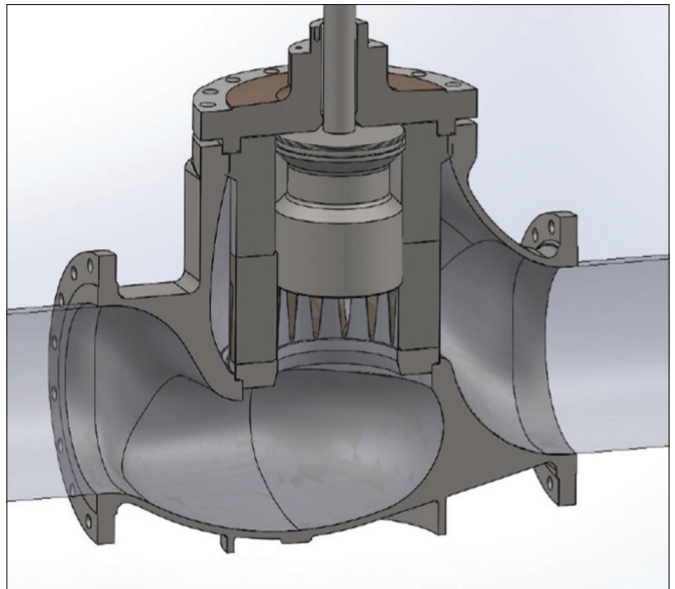


Proposed Mark 100 valve, linear, published and modeled flow curves

Since no 3D model of the original control valve was available, 2D drawings and contours from a recreated parts list using the original data sheets were used to model one. When applied in the simulation, this model duplicated the old valve's performance very closely to the licensor's experience, validating the CFD modeling technique developed by Flowserve.

Flowserve then moved on to validating the performance of the latest Mark 100 valve via modeling under the same process conditions. The results showed that Flowserve could closely match the expected performance and provide flow curves meeting the licensor's specifications for process control.

The next step was to scale up the valves for a new high-capacity plant design. During this process, the collaboration team discovered process requirements and control solution inconsistencies, which were promptly corrected.



Mark 100 valve, fully open



Flowserve Collaboration Helps Improve Process Design Before Finalization of Specifications

Resolution

Fortunately, the design specifications had not been finalized. With the inconsistencies addressed, the collaboration team avoided issues with startup and control that would have followed in the future.

This example demonstrates how Flowserve's role as a system solutions provider can go far beyond the valves, pumps and seals themselves. Collaborating as early as possible enables designers and operators to reap the full benefits of Flowserve's expertise, thereby avoiding unplanned start-up delays, reducing production of off-spec quality product, optimizing energy consumption through precise controllability, and promoting faster speed-to-market.

The Mark 100 valve solution exemplifies the benefits of this collaborative approach. In this case, it reduced the potential for off-spec production while improving plant availability and overall specific energy consumption (energy per unit of product produced). As the drive for energy transition grows, collaboration with Flowserve can help you streamline similar start-ups, maximize energy efficiency, minimize waste, solve critical problems, and reduce costs.

In addition to assisting with the process design, Flowserve's RedRaven advanced internet of things (IoT) valve conditioning monitoring program can help ensure valve equipment continues to run as intended throughout its entire lifecycle. This real-time equipment visibility makes it easy to prevent failures, increase uptime, lower maintenance costs, and improve safety across all your sites.

Whether you're a licensor, operator or EPC, it's to your advantage not just to choose an equipment supplier, but a dependable *partner* with the experience, resources and know-how to help you achieve your objectives — without having to experience costly negative lessons.

Flowserve is that partner. Just as this engagement added value to a long-term relationship with a process technology licensor, Flowserve continues to help many other global operators mitigate their most critical challenges in a wide variety of industries.



Typical Flowserve Mark 100 control valve

Flowserve Corporation
5215 North O'Connor Blvd.
Suite 700
Irving, Texas 75039-5421 USA
Telephone: +1 937 890 5839

Flowserve Corporation has established industry leadership in the design and manufacture of its products. When properly selected, this Flowserve product is designed to perform its intended function safely during its useful life. However, the purchaser or user of Flowserve products should be aware that Flowserve products might be used in numerous applications under a wide variety of industrial service conditions. Although Flowserve can provide general guidelines, it cannot provide specific data and warnings for all possible applications. The purchaser/user must therefore assume the ultimate responsibility for the proper sizing and selection, installation, operation, and maintenance of Flowserve products. The purchaser/user should read and understand the Installation Instructions included with the product, and train its employees and contractors in the safe use of Flowserve products in connection with the specific application.

While the information and specifications contained in this literature are believed to be accurate, they are supplied for informative purposes only and should not be considered certified or as a guarantee of satisfactory results by reliance thereon. Nothing contained herein is to be construed as a warranty or guarantee, express or implied, regarding any matter with respect to this product. Because Flowserve is continually improving and upgrading its product design, the specifications, dimensions and information contained herein are subject to change without notice. Should any question arise concerning these provisions, the purchaser/user should contact Flowserve Corporation at any one of its worldwide operations or offices.

©2022 Flowserve Corporation. All rights reserved. This document contains registered and unregistered trademarks of Flowserve Corporation. Other company, product, or service names may be trademarks or service marks of their respective companies.

VASS000440-01 (EN/A4) January 2022